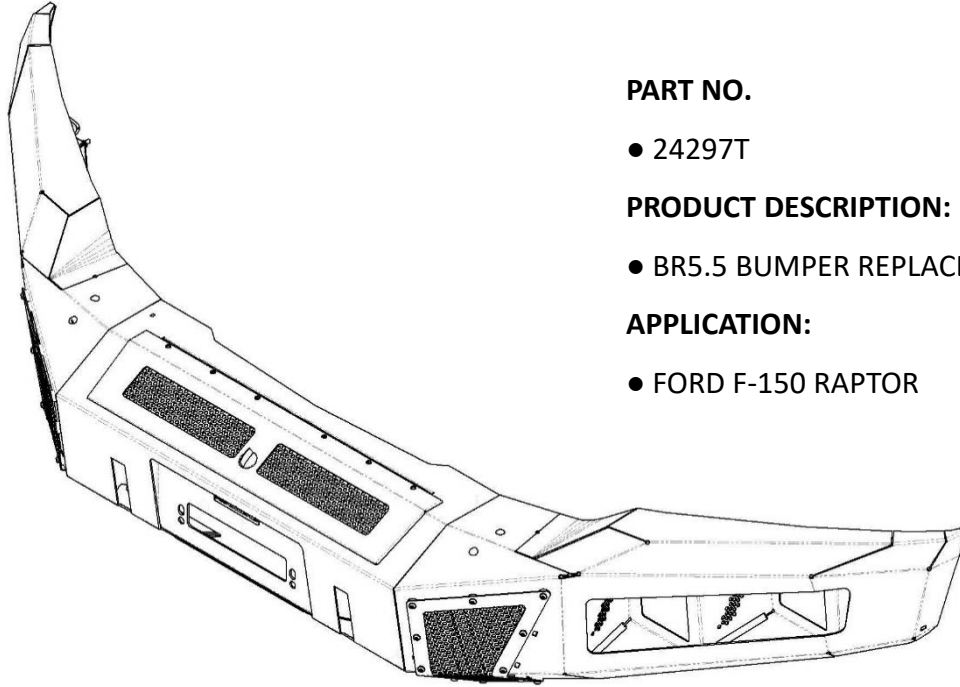


GO RHINO®

INSTALLATION INSTRUCTIONS



PART NO.

- 24297T

PRODUCT DESCRIPTION:

- BR5.5 BUMPER REPLACEMENT

APPLICATION:

- FORD F-150 RAPTOR

PRODUCT SAFETY & LEGAL DISCLAIMER

- **IMPORTANT READ ALL INSTRUCTIONS CAREFULLY BEFORE INSTALLING, FAILURE TO DO SO MAY CAUSE PERSONAL INJURY OR DAMAGE TO PRODUCT AND/OR PROPERTY.**
- **Review the product package and contents prior to beginning the installation.** Take care when opening the packaging and removing items. If a return is needed you will want to return the product in its original packaging if possible.
- This instruction guide is provided as a GENERAL installation guide, some vehicles vary dimensionally and may require additional steps.
- Test fit the product on the vehicle prior to any third party modifications and or finishing. The manufacturer and/or distributors do not accept responsibility for third party charges, labor and or third part replacement modifications. Some modifications may void the factory warranty.
- Exercise due-diligence when installing this product. The manufacturer and distributors of this product do not accept any responsibility for vehicle damage or personal injury resulting from the installation of this product. Careless installation and operation can result in serious injury or equipment damage.
- This product is for general off-road use. All liability for installation and use rests with the owner/operator.
- **INSTALLER:** Once installation is complete, please return this guide along with other documentation included in this product back to the consumer for future reference. The manufacturer/distributors of this product do not guarantee this particular version will be available at a later date.

© 2016 Go Rhino Products. All rights reserved

www.gorhino.com

589 W. Apollo St., Brea, CA 92821

P: 888 427 4466



INSTALLATION INSTRUCTIONS

INJURY HAZARD

Please complete a shop and tool inspection prior to beginning the installation.

- Always make sure you have a clean, dry and well lit work area.
- Always remove jewelry, loose fitting clothing and wear protective gloves and eye protection.
- Always use extreme caution when jacking or raising a vehicle for work. Set the emergency brake and use tire/wheel blocks and jack stands. Refer to the vehicle manufacturer hand book. Utilize the vehicle manufacturers designated lifting points.
- Always use appropriate and adequate care in lifting parts during disassembly and installation. Seek help in lifting heavy or large items into place. Utilize jacks and or lifting devices when available.
- Always insure products are secure during disassembly and installation.
- Always wear eye protection and take steps to protect any exposed skin during the installations. Drilling, cutting and grinding plastic and metal may create flying particles that can cause injury.
- Always use extreme caution when drilling, cutting and or grinding on a vehicle. Thoroughly inspect the area to be drilled, on both sides of material, prior to modification and relocate any objects that may become damaged.
- Always assemble and tighten all fasteners per the installation instructions.
- Always route electrical cables carefully. Avoid moving parts, parts that may become hot and rough or sharp edges.
- Always insulate and protect all exposed wiring and electrical connections.

MAINTENANCE AND CARE

- Always perform regular inspections and maintenance on mounts and related fasteners.
- Periodically check and tighten all fasteners.
- Stripped, fractured, or bent fasteners must be replaced.
- After washing the vehicle make sure to fully dry all surfaces.
- In areas with cold temperatures make sure to wash the product often to remove harmful materials used on road ways.
- Never use abrasive cleaners or polish compounds. Clean with a gentle soap and water. If you use wax use a non-abrasive automotive wax such as pure carnauba wax.

WARNING

Some products have been designed to work together with factory rear sensor systems, factory forward facing sensor systems and factory air bags.

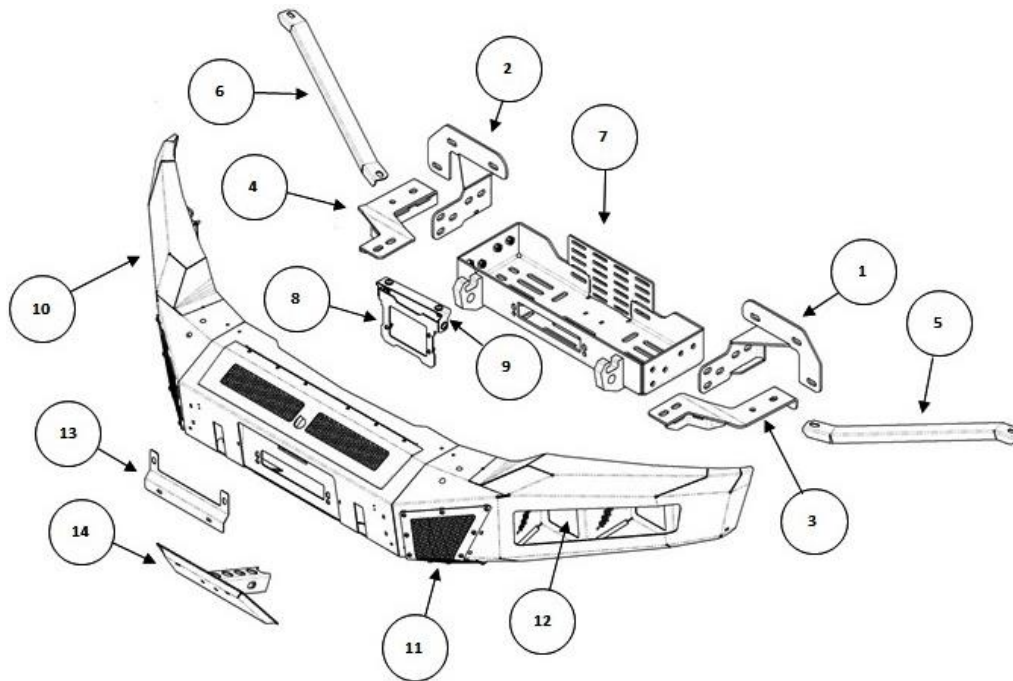
- Installation of some of these products may alter the factory sensor system performance.
- Factory sensors may read shackles or hooks protruding from the fairlead and or tow hooks.
- All sensor testing is completed by Go Rhino Products and or third party testing labs on modified vehicles.
- Sensor sensitivity, factory sensor housing, orientation, and operating conditions are all variables that will influence functionality of the sensors.
- Installation of some product may effect the factory air bag systems.
- Some products allow the use of third party products such as winches, shackles, hooks, etc. Follow the respective manufacturers operating instructions for use with our products.
- Make sure to fully understand the product, it's intended use and operation prior to use.
- Above all... be safe!

GO RHINO®

INSTALLATION INSTRUCTIONS

PARTS INCLUDED IN THIS LIST:

ITEM	QTY.	DESCRIPTION	ITEM	QTY.	DESCRIPTION	ITEM	QTY.	DESCRIPTION
1	1	Frame Bracket (driver)	13	2	License Plate Bracket	25	6	3/8" Flat Washer
2	1	Frame Bracket (passenger)	14	1	Hitch Cover	26	6	3/8" Lock Washer
3	1	Auxiliary Bracket (driver)	15	1	5/8" Hitch-Pin	27	6	3/8" Hex Nut
4	1	Auxiliary Bracket (passenger)	16	1	Hairpin Cotter Pin	28	4	3/8" x 1" Button Head Bolt (stainless)
5	1	Support Bracket (driver)	17	1	Threaded Rod	29	8	3/8" Flat Washer (stainless)
6	1	Support Bracket (passenger)	18	6	Threaded Knob	30	4	3/8" Lock Washer (stainless)
7	1	Winch Tray	19	3	1/4" x 3/4" Hex Bolt	31	4	3/8" Hex Nut (stainless)
8	1	Cruise Control Module Relocation Bracket	20	3	1/4" Flat Washer	32	10	1/2" x 1 1/2" Hex Bolt
9	1	Module Relocation Auxiliary Bracket	21	3	1/4" Lock Washer	33	6	1/2" x 1 1/2" Carriage Bolt
10	1	Bumper Shell	22	3	1/4" Hex Nut	34	16	1/2" Flat Washer
11	1	Vent Covers (pre installed)	23	3	1/4" Flat Washer (plastic)	35	16	1/2" Lock Washer
12	4	Light Pod Plates (pre installed)	24	6	3/8" x 1 1/4" Hex Bolt	36	4	1/2" Hex Nut



Go Rhino recommends you, the installer, read this installation instruction manual from front to back before installing the product. You may also [click here](#) to view an installation video or visit <http://www.gorhino.com/Installation-Videos>.

TOOLS NEEDED FOR INSTALLATION:

- 10mm, 11mm, 15mm, 18mm, 21mm, 7/16", 9/16" & 3/4" Sockets & Wrenches
- Ratchet, Ratchet Extensions & Swivel Joint Adapter
- Cutoff Wheel or Razor Knife
- 5/32" & 7/32" Hex Key
- Drill Motor, Drill Bits & Hole Saws

ESTIMATED TIME FOR INSTALLATION:	2 Hour
---	---------------

If you need installation service for your new product, call the authorized distributor from whom you purchased the product or an authorized installation service company which can be found by calling toll free 1-888-427-4466

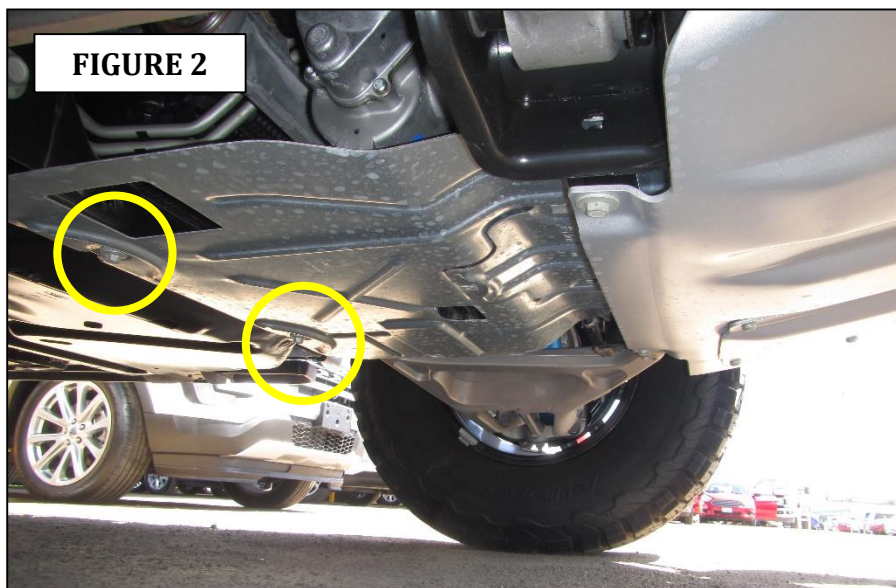
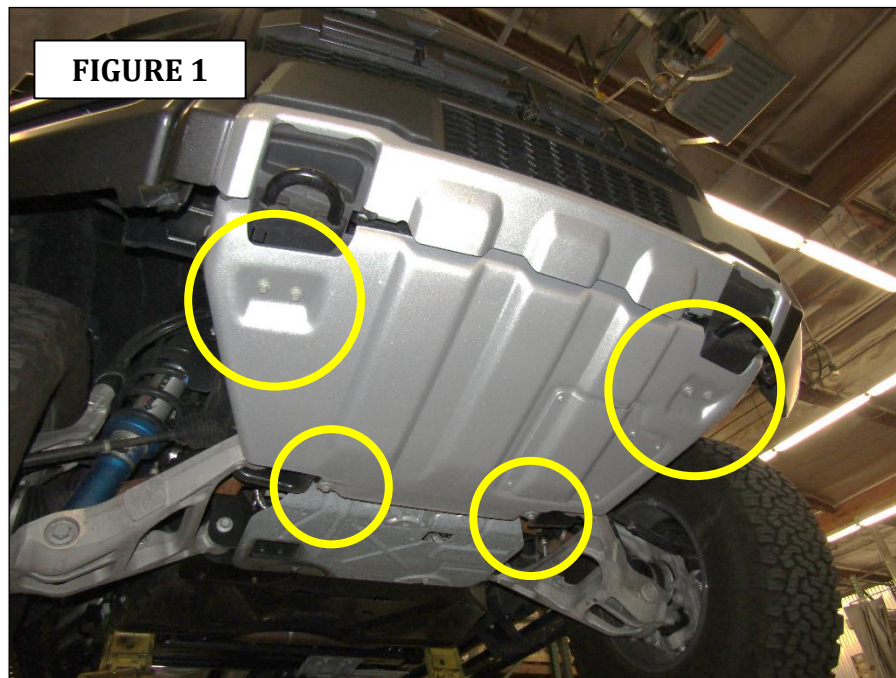
GO RHINO®

INSTALLATION INSTRUCTIONS

OEM Bumper Removal

Step-1 Disconnect the battery or batteries.

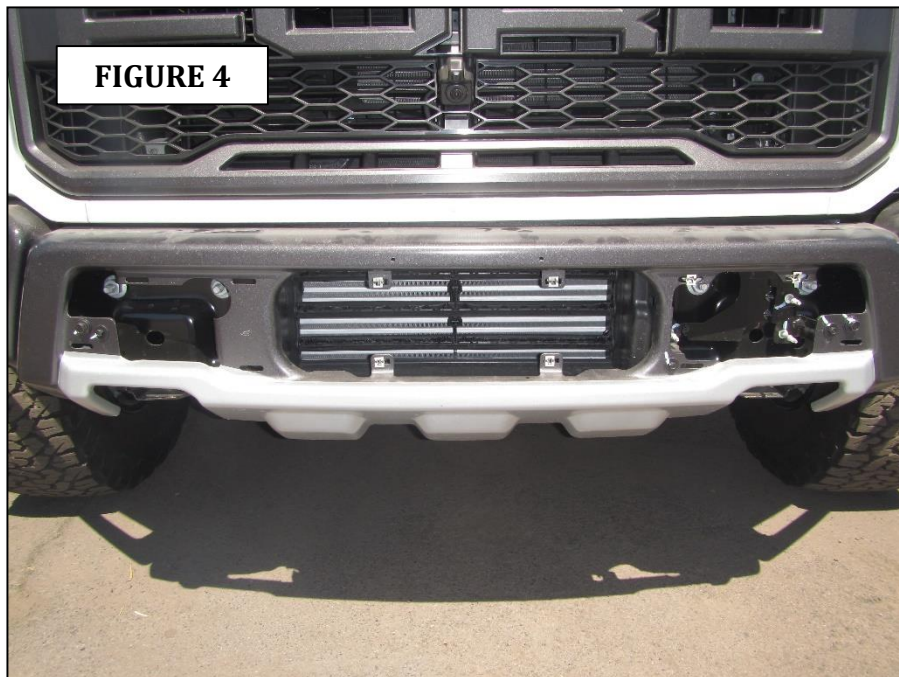
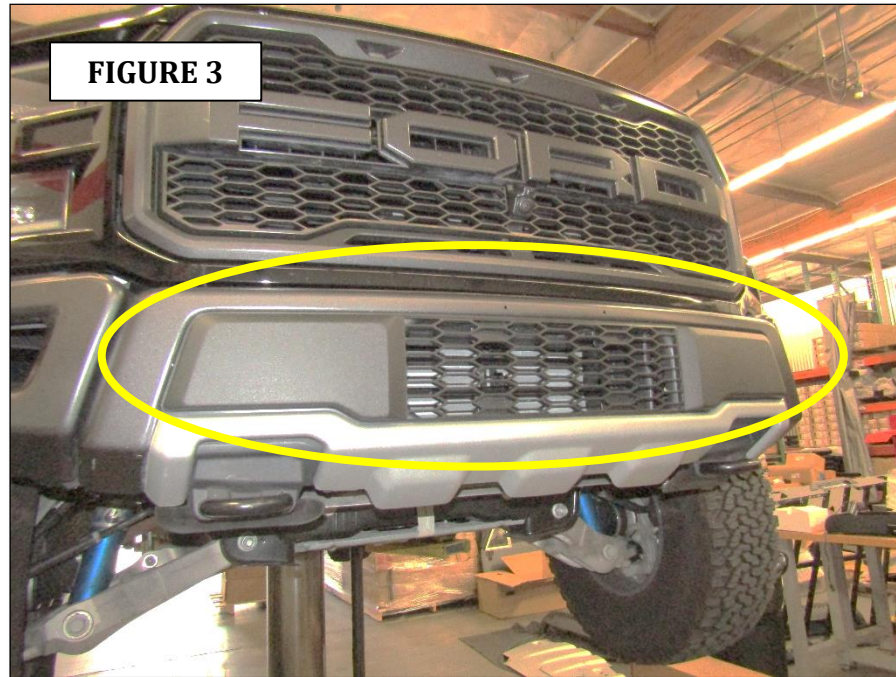
Step-2 Remove the bolts (3) per side securing the OEM main skid plate, (FIGURE 1) and remove the skid plate and the metal spacer that the two skid plate lower bolts pass through from the vehicle. Remove the bolts (1) per side securing the auxiliary skid plate, (FIGURE 2) and remove the auxiliary skid plate from the vehicle.



GO RHINO®

INSTALLATION INSTRUCTIONS

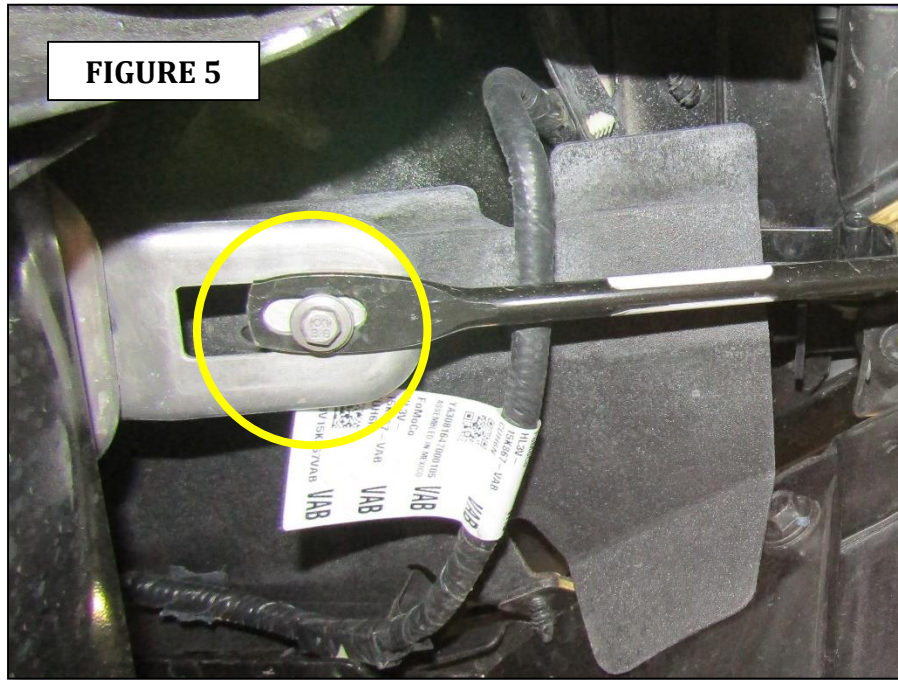
Step-3 Lift from the side then unsnap the fasteners and remove the plastic bumper cover from the OEM bumper, (FIGURE 3 & 4).



GO RHINO®

INSTALLATION INSTRUCTIONS

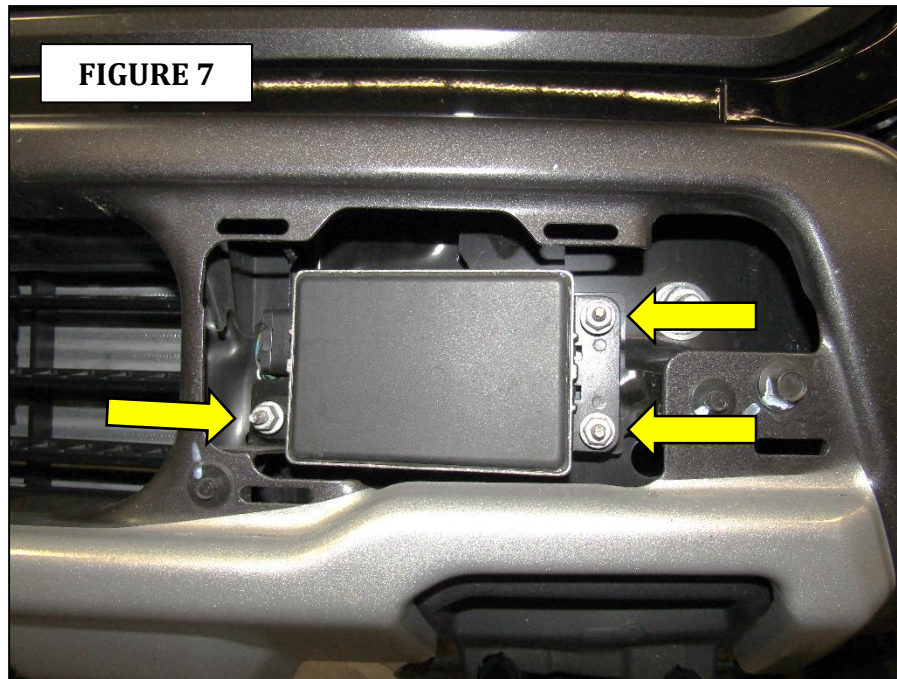
Step-4 On the passenger side of the vehicle remove the (2) bolts securing the OEM bumper outer support bar, and remove the outer support bar from the vehicle, (FIGURE 5 & 6). Repeat this step on the driver side.



GO RHINO®

INSTALLATION INSTRUCTIONS

If the OEM bumper has a adaptive cruise control module, remove three nuts from the studs securing the module, and unplug the module from the wiring harness, (FIGURE 7 & 8). Set the module aside as it will be installed later in the installation process.

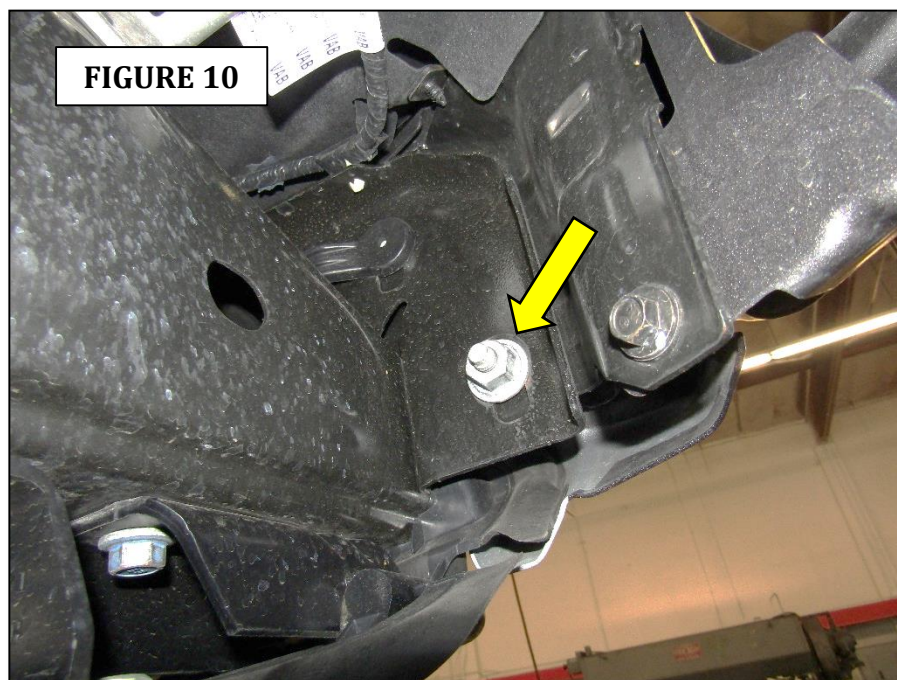
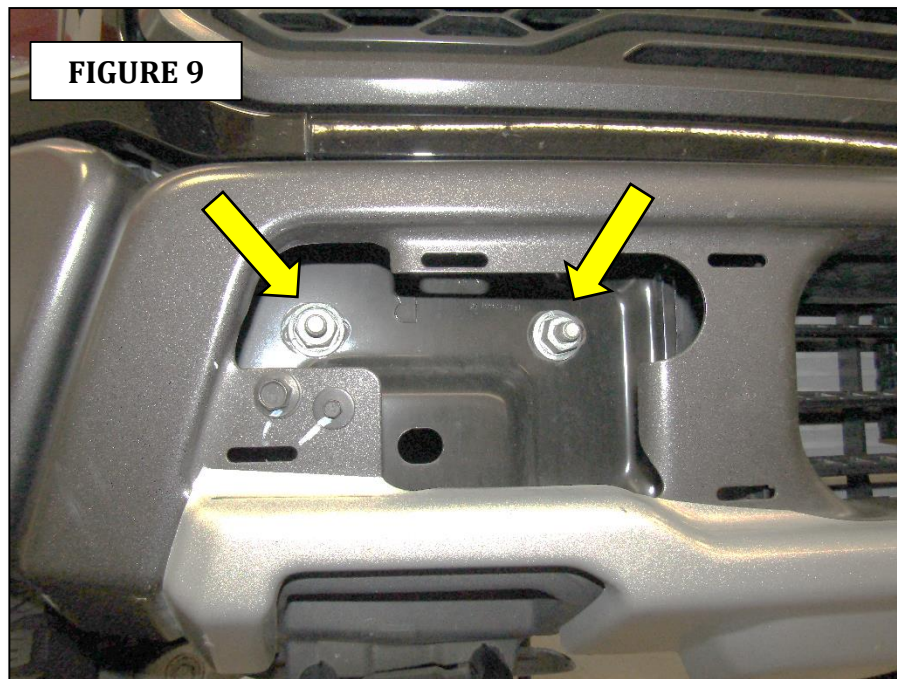


GO RHINO®

INSTALLATION INSTRUCTIONS

Step-5 On the passenger side, remove the nuts (3) per side, (2) located at the front and (1) located at the back securing the OEM bumper to the frame, (FIGURE 9 & 10). Repeat this step on the driver side.

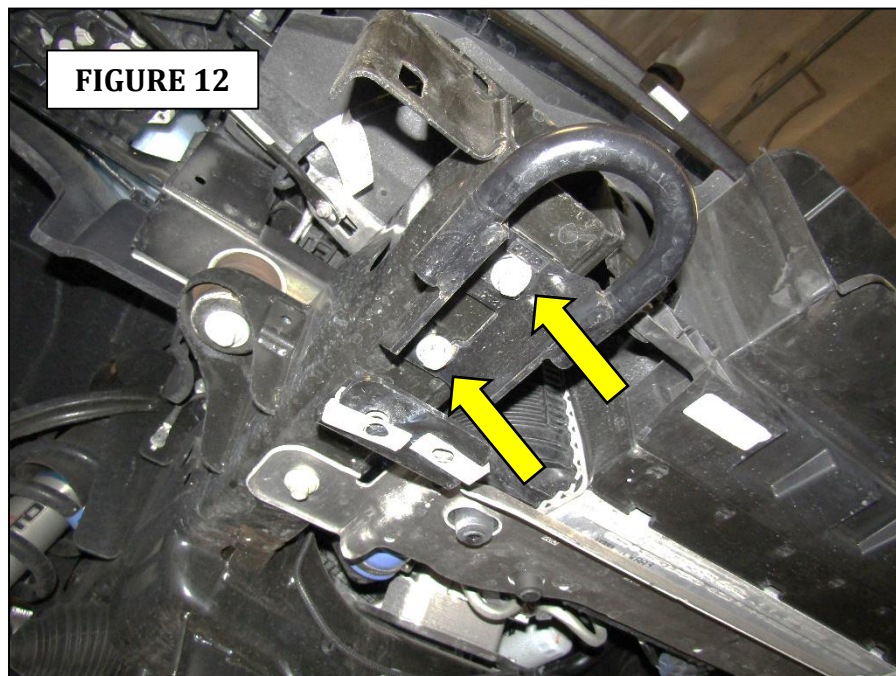
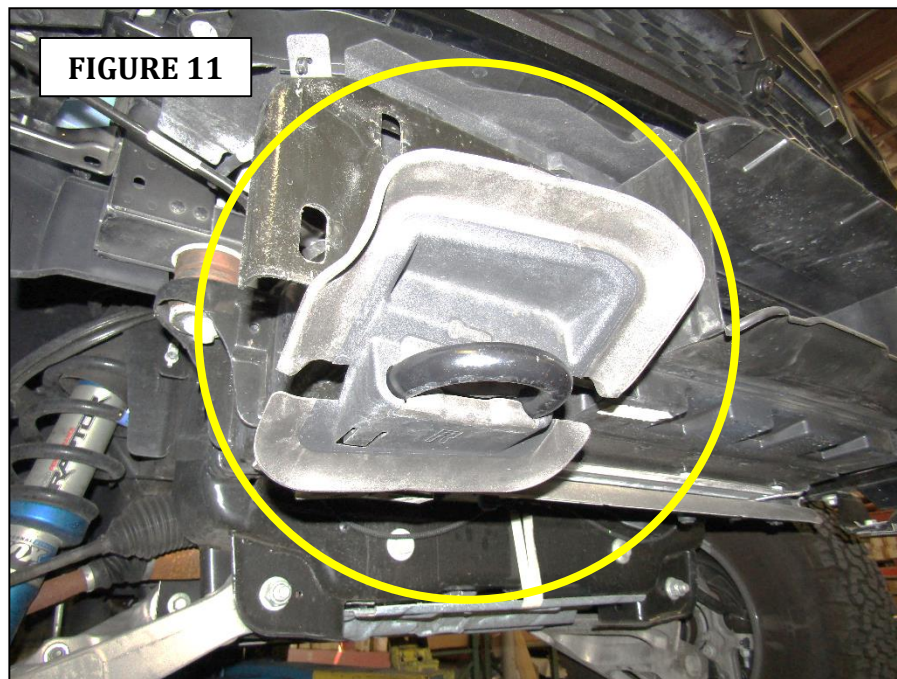
Step-6 With assistance remove the bumper from the vehicle by pulling forward away from the vehicle, and removing the (3) plastic connectors securing the rubber shroud along the top of the OEM bumper.



GO RHINO®

INSTALLATION INSTRUCTIONS

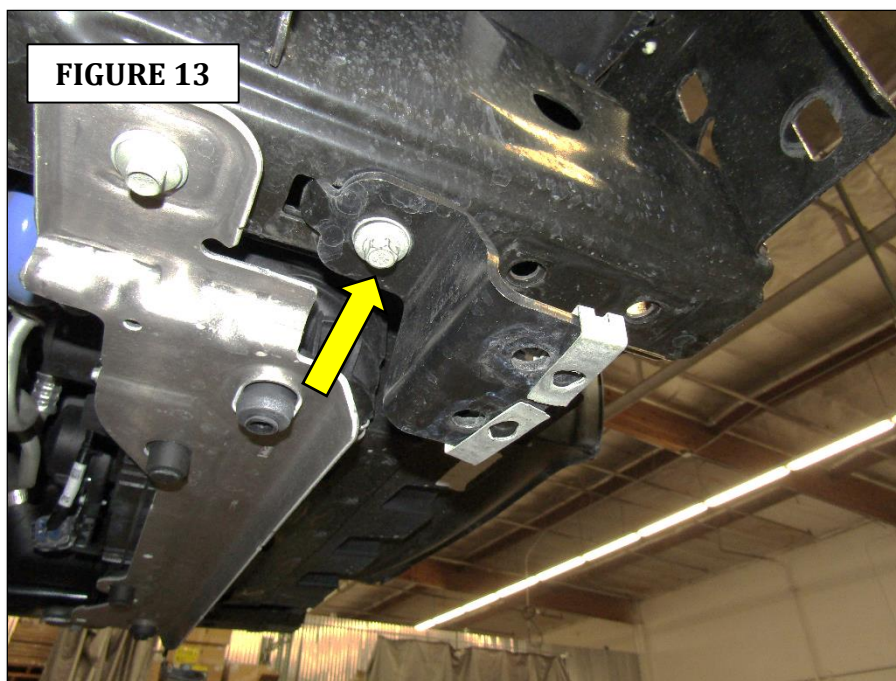
Step-7 Remove the plastic cover from the tow hook, then using a 15mm socket and ratchet remove the (2) bolts and tow hook from the bottom of the frame. Retain the nut plate and tow hook bolts, (FIGURE 11 & 12).



GO RHINO®

INSTALLATION INSTRUCTIONS

Step-8 On the passenger side of the vehicle remove the bolt and skid plate bracket from the bottom of the frame, (FIGURE 13). Repeat this step on the driver side.



If the OEM bumper has an adaptive cruise control module, remove the vehicle grille.

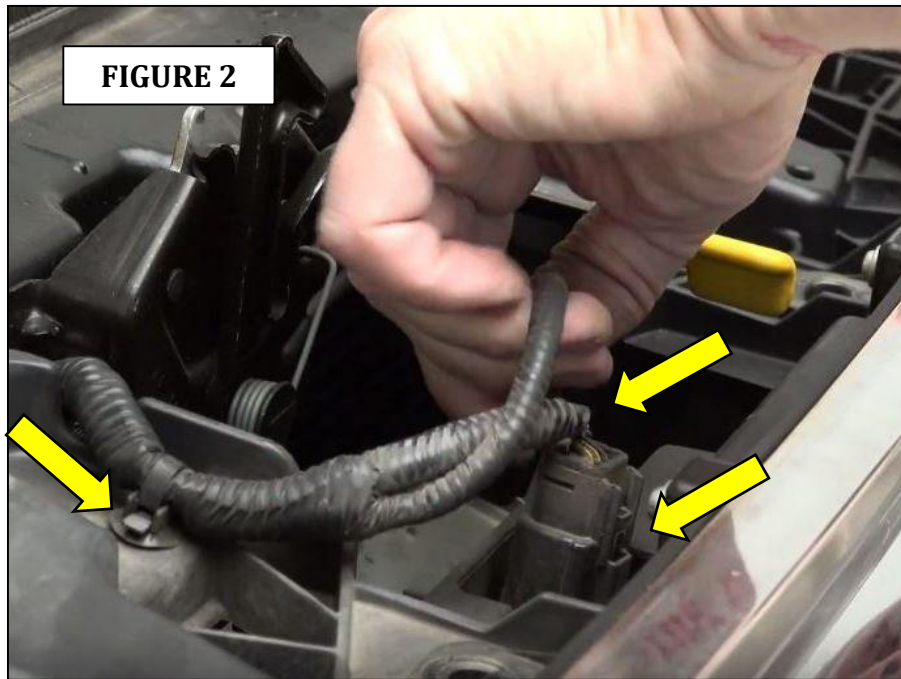
Step-1 Remove the (9) plastic clips securing the radiator cover, then remove the radiator cover from the vehicle, (FIGURE 1).



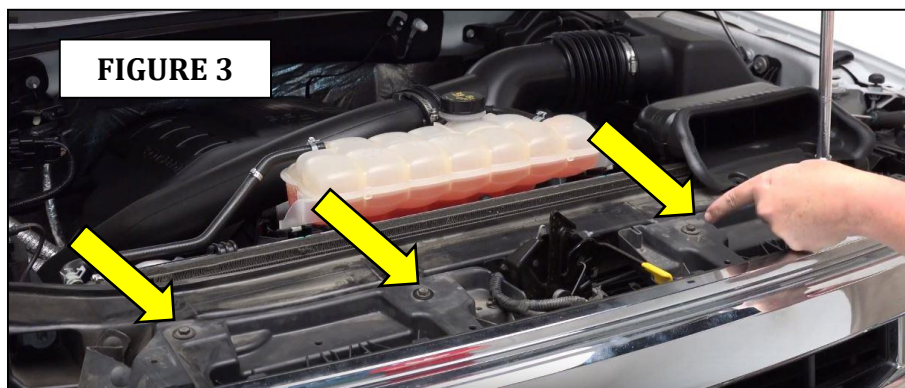
GO RHINO®

INSTALLATION INSTRUCTIONS

Step-2 Unplug the (2) electrical connectors for the wiring harness, remove the plastic fastener securing the wiring harness to the grille housing and disconnect the water supply line, (FIGURE 2).



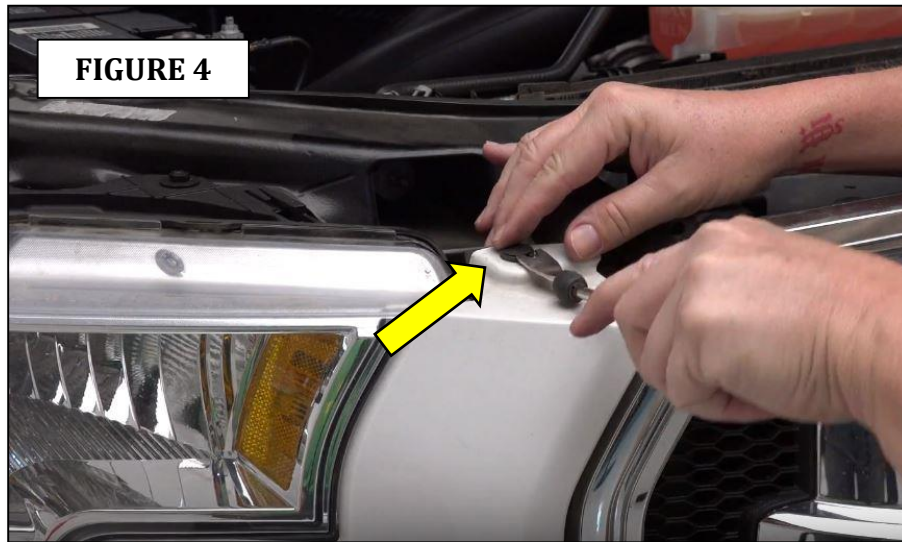
Step-3 Remove the (4) bolts securing the top of the grille Using a 10mm Socket and ratchet, (FIGURE 3).



GO RHINO®

INSTALLATION INSTRUCTIONS

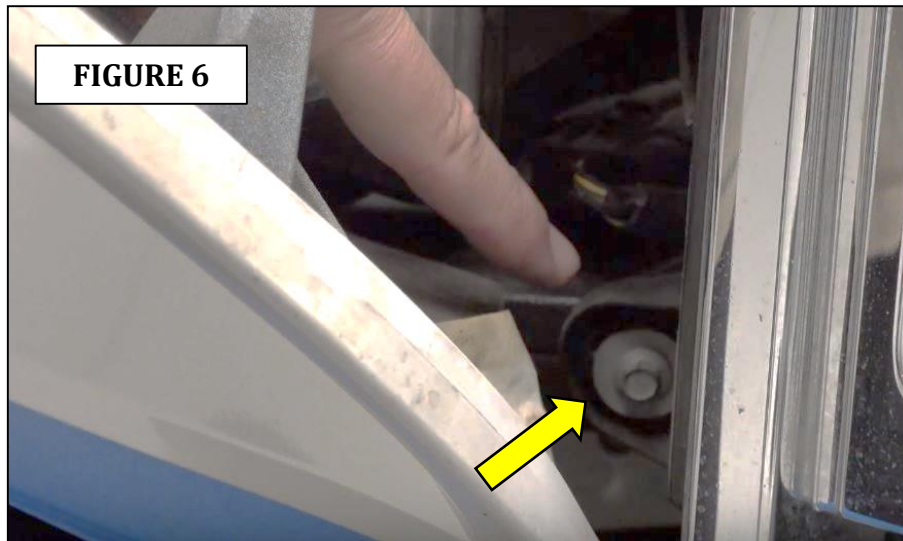
Step-4 Remove the plastic clip on the top of the headlight bezel. Then, pull back on the side of the headlight bezel enough to access the plastic clips and bolts, (FIGURE 4 & 5).



GO RHINO®

INSTALLATION INSTRUCTIONS

Step-5 Using a 10mm Socket, remove the lower grille bolts (1 per side). Repeat this step on the other side of the vehicle, (FIGURE 6).



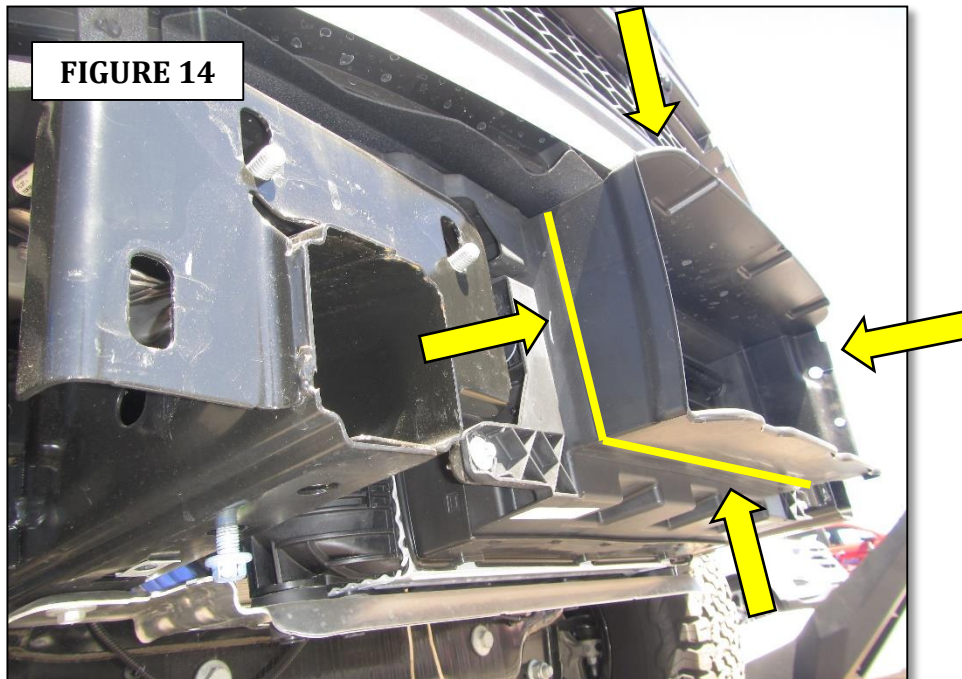
Step-5 Remove the plastic clips (3) per side securing the rubber shroud to the grille, then lift the grill up and out of the vehicle, (FIGURE 7).



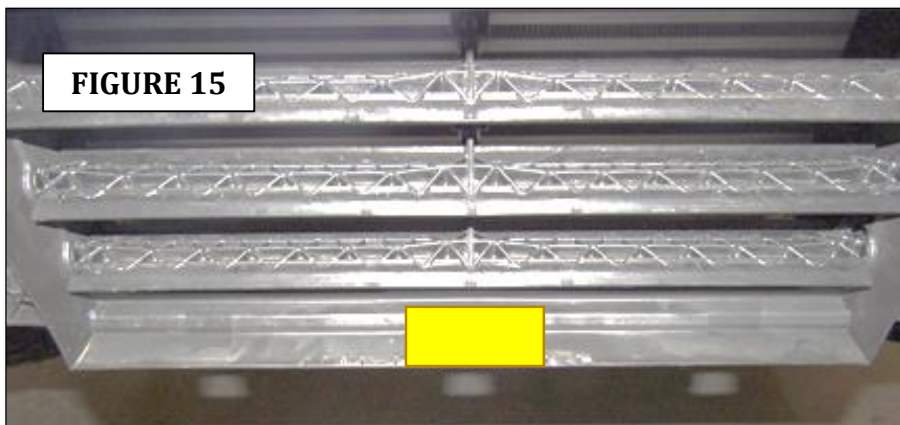
GO RHINO®

INSTALLATION INSTRUCTIONS

Step-9 The perimeter of the housing for the intercooler louver system must be trimmed to allow clearance for the Mounting Plate/Winch Tray, (FIGURE 14). Use a cutoff wheel or razer knife to cut the along the transition line from the soft plastic to the hard plastic. Note: Care must be taken not to damage the louvers when cutting.



Step-10 The housing for the intercooler system must be cut and a section removed from the bottom to allow clearance for the Winch Tray receiver tube, (FIGURE 15). Note: Care must be taken not to damage the louvers when cutting.



GO RHINO®

INSTALLATION INSTRUCTIONS

If the OEM bumper has a adaptive cruise control module, remove the radiator shutter assembly from the back of the grille shell.

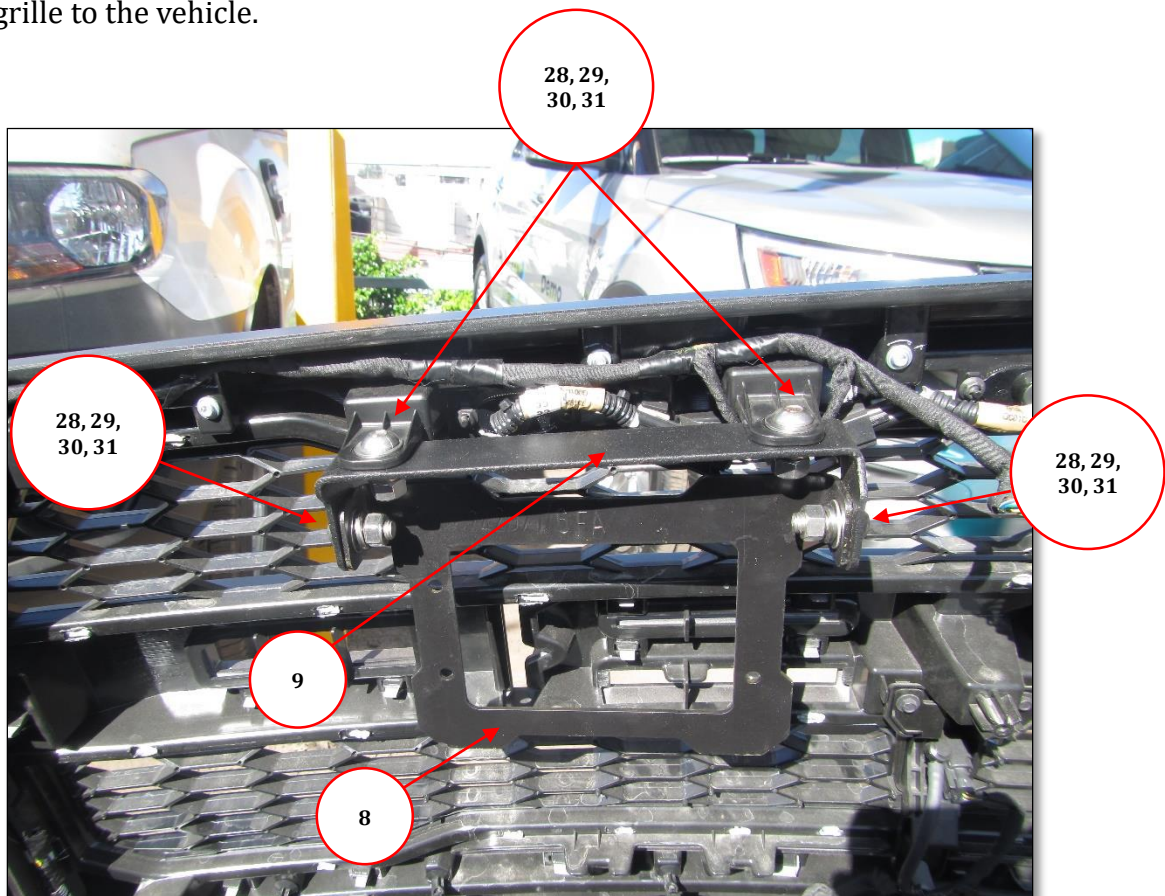
Assemble the adaptive cruise control module relocation brackets using (2) 3/8" x 1" button head bolts, (2) 3/8" flat washers, (2) 3/8" lock washers and (2) 3/8" hex nuts.

Attach the adaptive cruise control module to the relocation bracket using (3) 1/4" x 3/4" hex bolts (3) 1/4" plastic flat washers, (3) 1/4" flat washers, (3) 1/4" lock washers and (3) 1/4" hex nuts.

Attach the adaptive cruise control module and relocation bracket assembly to the grille shell using (2) 3/8" x 1" button head bolts, (2) 3/8" flat washers, (2) 3/8" lock washers and (2) 3/8" hex nuts.

Reinstall the radiator shutter assembly to the grille shell.

Reinstall the grille to the vehicle.

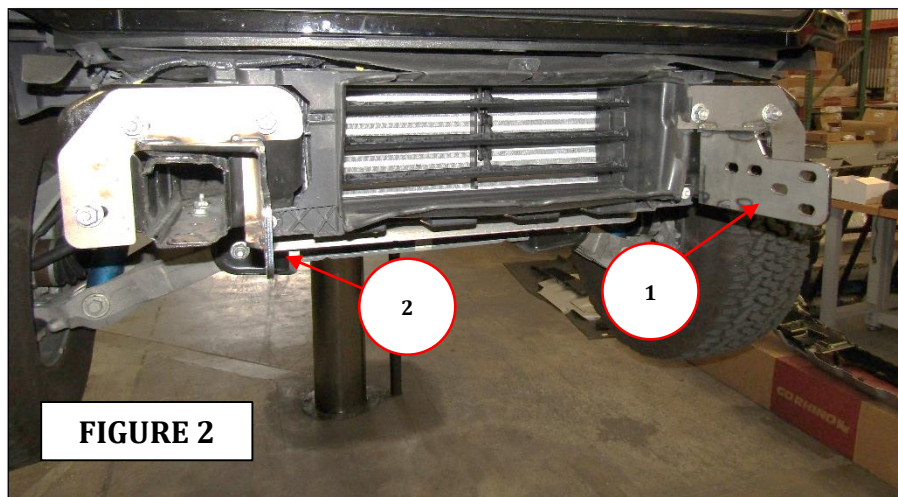
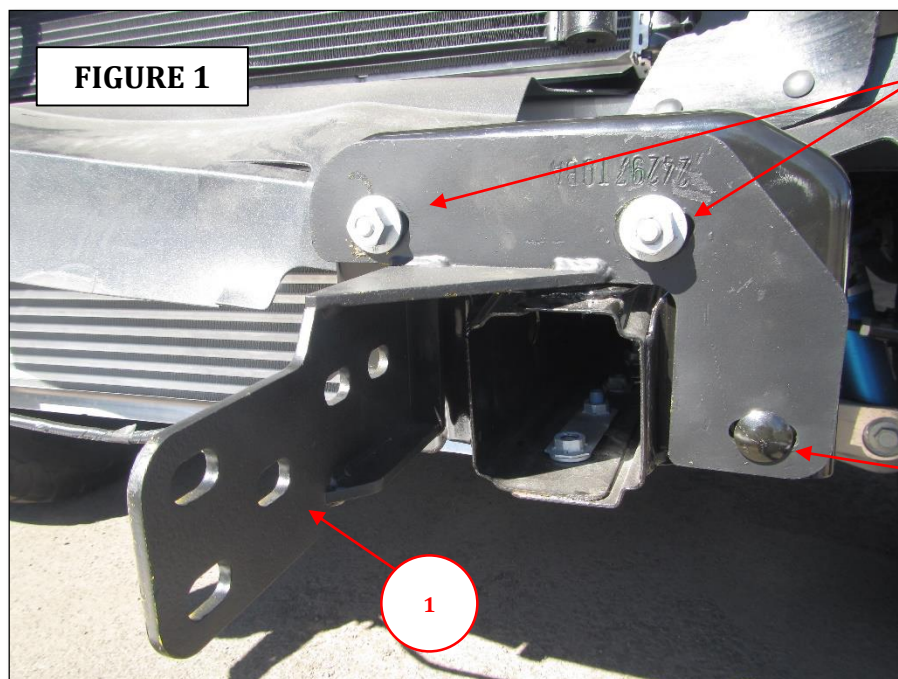


GO RHINO®

INSTALLATION INSTRUCTIONS

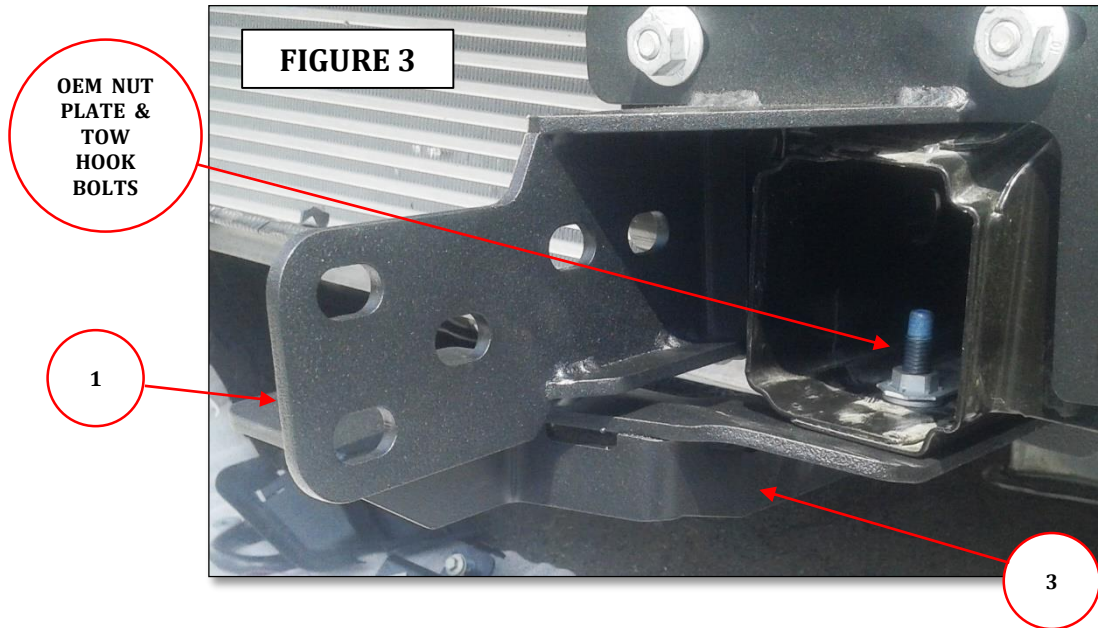
BR5.5 Bumper Replacement Installation

Step-1 Position the driver side frame bracket up to the end of the vehicle frame, align the (2) upper holes in the frame bracket with the factory bumper bracket attachment holes and secure the frame bracket to the frame using the OEM paired bolt plate and nuts. Secure the bottom hole in the frame bracket to the vehicle frame using (1) 1/2" x 1 1/2" carriage bolt, (1) 1/2" flat washer, (1) 1/2" lock washer and (1) 1/2" hex nut supplied, (FIGURE 1). Snug but do not fully tighten the bolts. Repeat to install the passenger side bracket, (FIGURE 2).

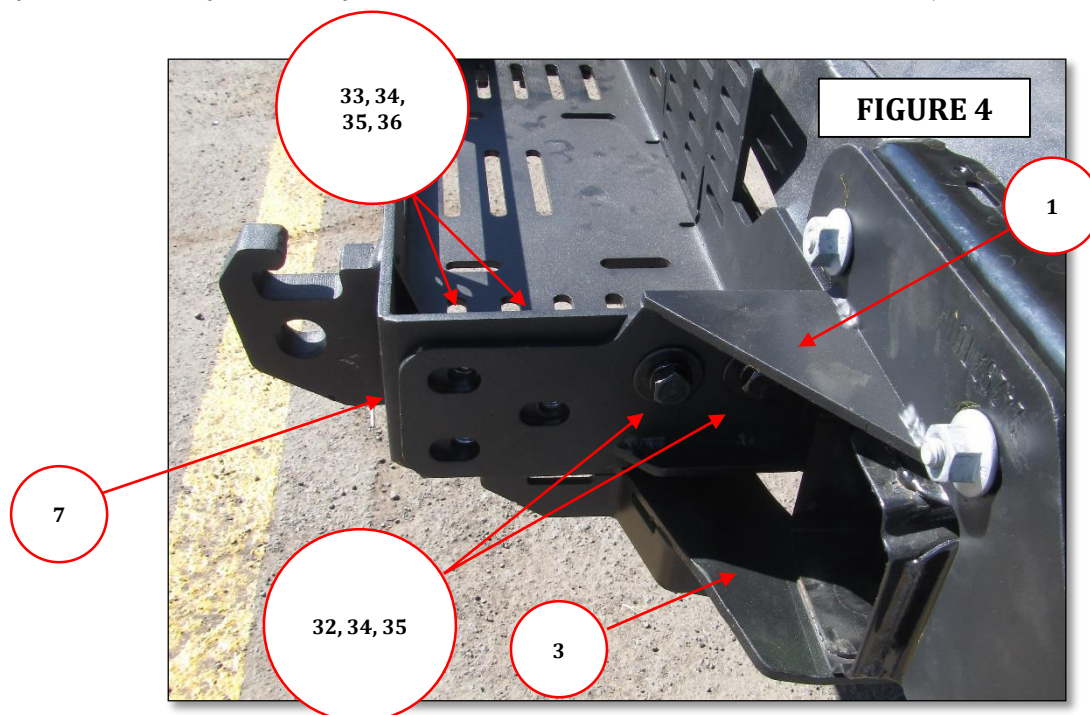


INSTALLATION INSTRUCTIONS

Step-2 Position the driver side auxiliary bracket on the bottom of the frame, align the holes in the bracket with the tow hook attachment holes and secure the auxiliary bracket to the frame using the factory tow hook bolts and nut plates, (FIGURE 3). Leave the bolts and nut plate loose for final adjustment. Repeat to install the passenger side auxiliary bracket.



Step-3 Position the winch tray on top of the auxiliary brackets. Align the holes and secure the winch tray to each frame bracket using (2) ½" x 1 ½" hex bolts, (2) ½" flat washers, (2) ½" lock washers, and to each auxiliary bracket using (2) ½" x 1 ½" carriage bolts, (2) ½" flat washers, (2) ½" lock washers and (2) ½" hex nut, (FIGURE 4). Leave the nuts and bolts loose for final adjustment.



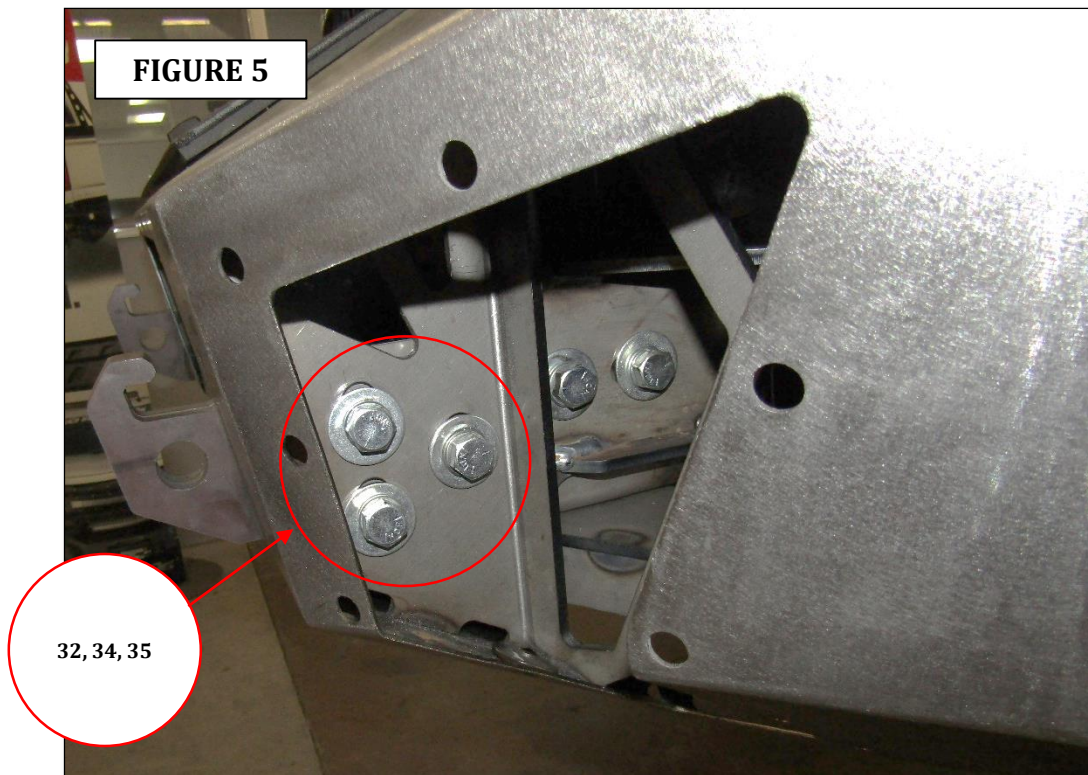


INSTALLATION INSTRUCTIONS

Note: If you are installing a winch, place the winch in the winch tray and refer to the winch manufacturer's instructions for installation. Do not install the fairlead at this time.

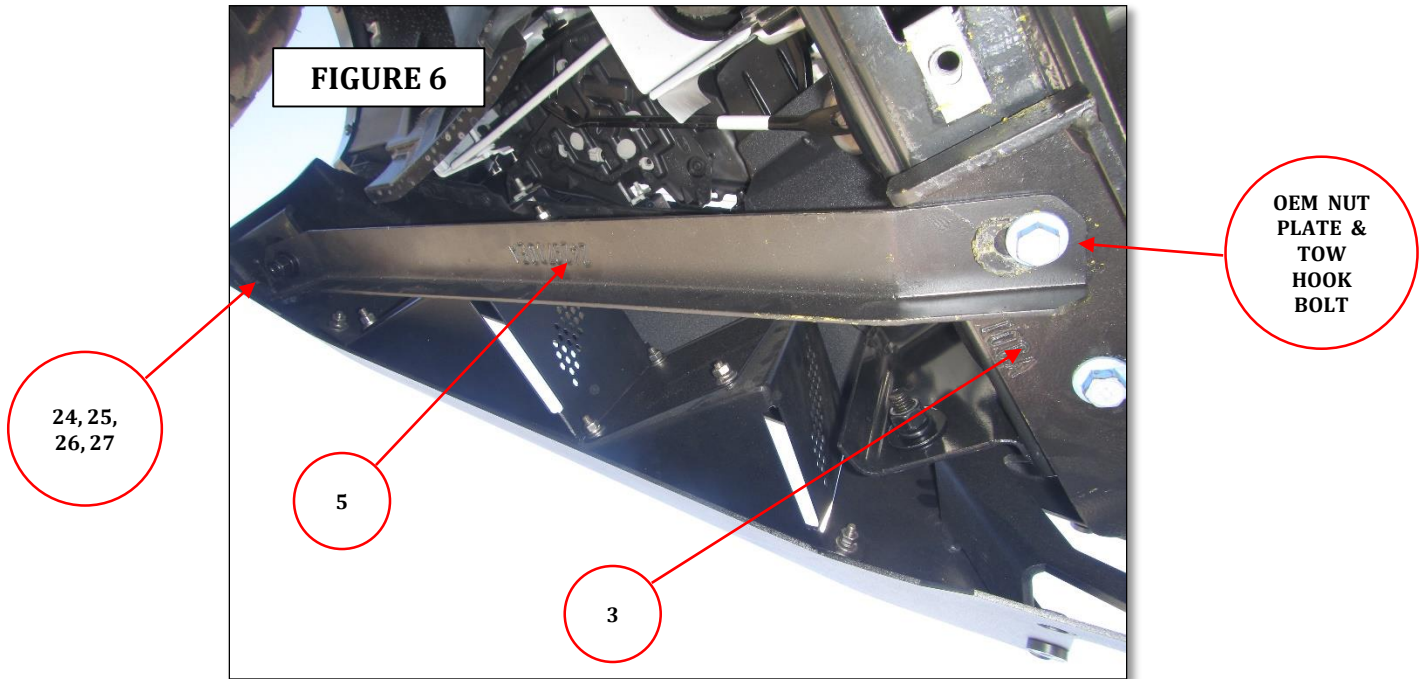
Step-4 The pre-installed Mesh Vent Covers need to be removed using hand tools to slowly remove the bolts. Using an air assisted impact or ratchet will damage the bolt threads and Rubber Rivet-Nut assembly in the bumper shell.

Step-5 With assistance lift the bumper shell up to the vehicle, align the holes in the bumper shell brackets with the holes in the frame brackets, and weld nuts on the winch tray. Secure the bumper shell bracket to each side of the winch tray using (3) ½" x 1 1/2" hex bolts, (3) ½" lock washers and (3) ½" flat washers, (FIGURE 5). Leave the bolts loose for final adjustment.



INSTALLATION INSTRUCTIONS

Step-6 Remove the factory bolt toward the rear of the vehicle securing the driver side auxiliary bracket. Align the holes and secure the driver side support bracket and auxiliary bracket to the frame using the factory bolt. Attach the opposite end of the support bracket to the bumper shell bracket using (1) 3/8" x 1 1/4" hex bolt, (1) 3/8" lock washer, (2) 3/8" flat washers and (1) 3/8" hex nut, (FIGURE 6). Repeat to install the passenger side support bracket.



GO RHINO®

INSTALLATION INSTRUCTIONS

Step-7 With assistance, adjust and hold the bumper shell visual alignment position, then tighten all OEM and supplied nuts and bolts securing the brackets, winch tray and bumper shell.

Note: Verify that the hinged winch cover clears the OEM bumper fascia trim when fully opened, before tightening all nuts and bolts.



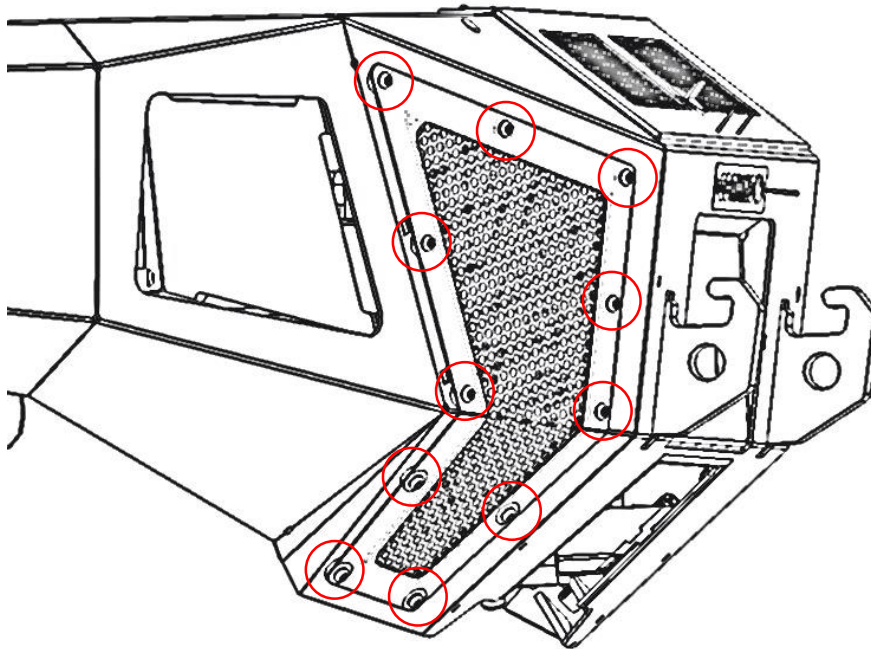
Step-8 If installing a winch, install the roller fairlead to the bumper shell at this time. Refer to the winch manufacturer's instructions for installation. If installing an BR bumper replacement optional light bar, install the light bar to the bumper replacement at this time. Refer to the light bar instructions for installation.

GO RHINO®

INSTALLATION INSTRUCTIONS

Step-8 Re-install the passenger and driver side front vent covers to the bumper shell using the ¼" x 1" button head bolts, ¼" plastic flat washers and ¼" rubber rivet-nuts removed in step 4, (FIGURE 9).

FIGURE 9

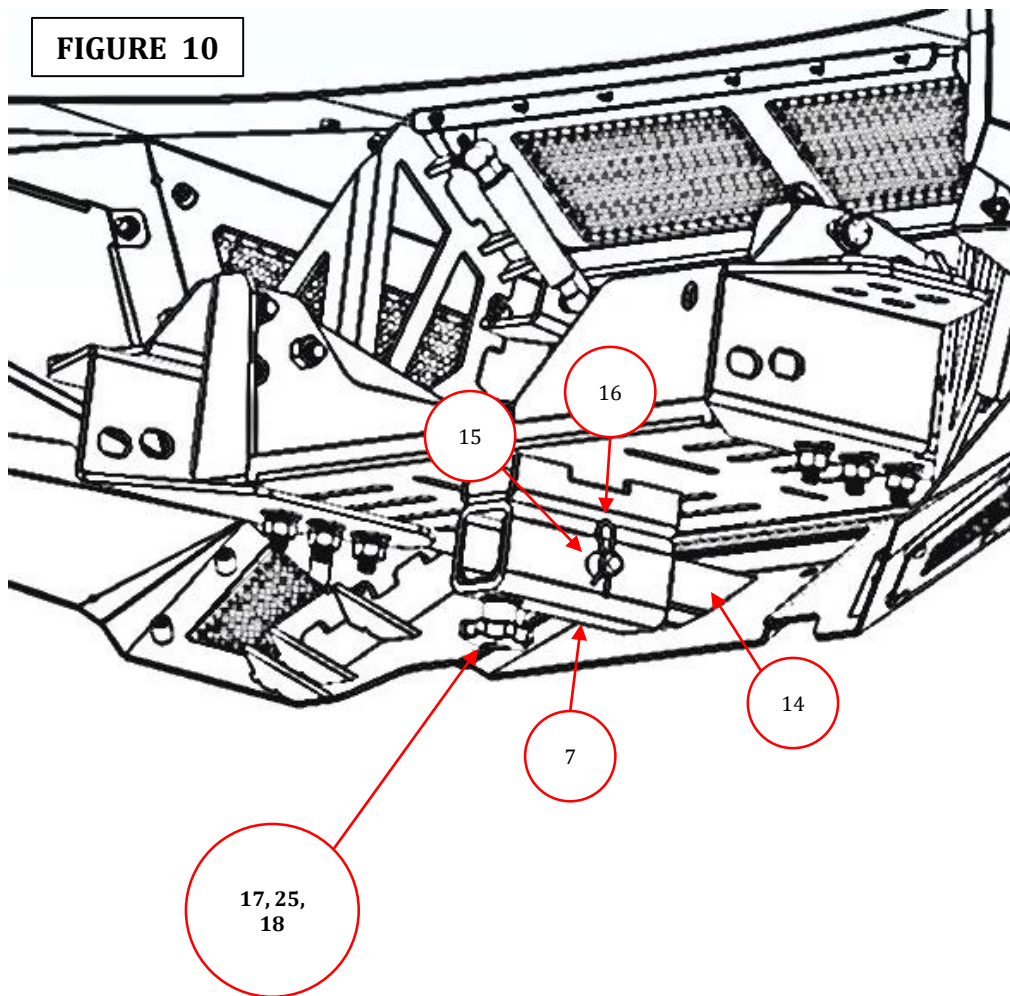


INSTALLATION INSTRUCTIONS

Step-9 Insert the hitch cover bracket into the winch tray receiver tube, (FIGURE 10).

Step-10 Align and push the hitch pin through the holes in the winch tray receiver tube and hitch cover bracket, and secure the hitch pin with the hairpin cotter pin, (FIGURE 10).

Step-11 Assemble the threaded rod, 3/8" flat washer and knob. Position the threaded rod through the hole in the winch tray receiver tube, screw the rod into the hitch cover bracket then tighten, the knob (FIGURE 10).

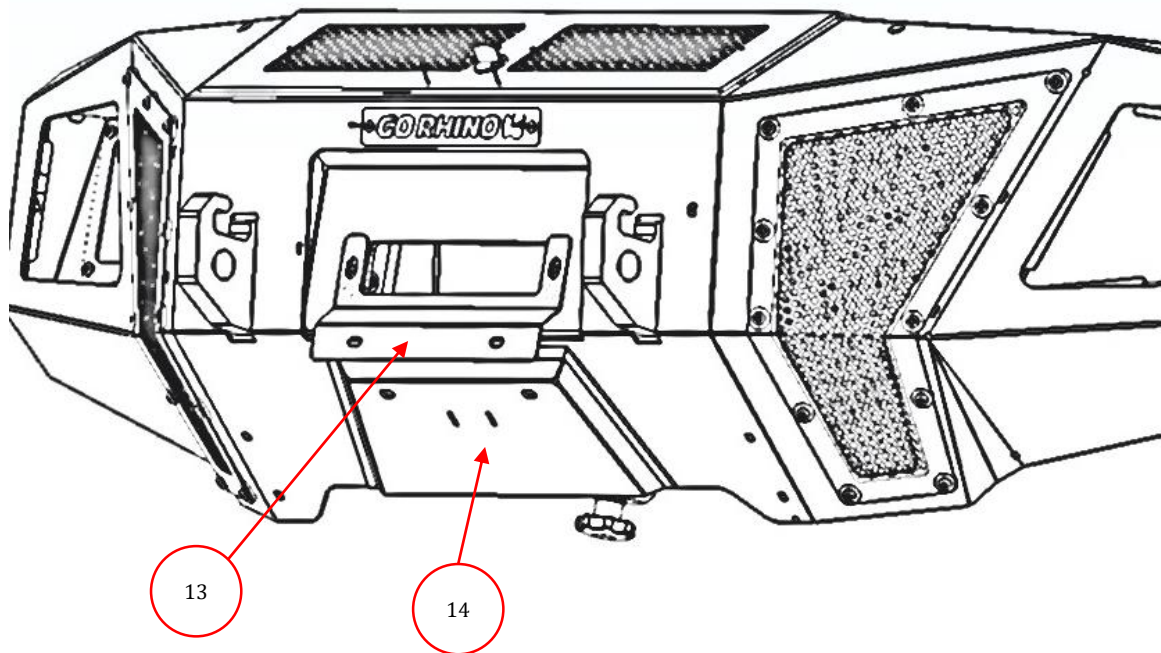


GORRHINO®

INSTALLATION INSTRUCTIONS

Step-12 If your state law requires a front license plate, attach the license plate bracket to the holes in the face of the bumper shell, using the supplied 3/8" bolts, washers and nuts. If installing a winch, attach the license plate directly to the holes in the hitch cover, (FIGURE-10).

FIGURE 11



Remember to check and retighten all factory and supplied nuts and bolts periodically.



INSTALLATION INSTRUCTIONS

LIMITED WARRANTY

Go Rhino warrants to Buyer that for a period of five (5) years from the date of shipment of the product(s) ("Warranty Period") for black finishes and chrome finishes, that such products will materially conform to the specifications set forth in Go Rhino's specifications in effect as of the date of shipment(s) and will be free from material defects in material workmanship.

Go Rhino warrants to Buyer that for the life of the product(s) from the date of shipment of the product(s) ("Warranty Period") for polished stainless steel finished products purchased after April 2004, that such products will materially conform to the specifications set forth in Go Rhino's specifications in effect as of the date of shipments and will be free from material defects in material workmanship.

Warranty claims must be accompanied with the original invoice and photos of the product. It is the customer's responsibility to clean regularly and protect finish with regular applications of a nonabrasive polish that is compatible with the product's finish.

This warranty covers the cost of the product only and does not include the cost of removal, installation, third party modifications or shipping of the product. In no event shall Go Rhino be liable to buyer or any third party for any damage or harm caused by the product or use thereof, regardless of weather such damages were foreseeable and whether or not Go Rhino has been advised of the possibility of such damages, not withstanding the failure of any agreed or other remedy of its essential purpose. This warranty is void if the product shows signs of alteration, misuse, mishandling, improper care, neglect, improper application and/or damage due to improper installation.

With respect to any such product(s) during the limited warranty period, Go Rhino shall, in its sole discretion, either: (i) provide a one-time repair or replacement of such products (or the defective part) or (ii) credit or refund the price of such products at the pro rata contract rate provided that, if Go Rhino so requests, Buyer shall, at Go Rhino's expense, return such product(s) to Go Rhino. The remedies shall be the Buyer's sole and exclusive remedy and Go Rhino's entire liability for any breach of the limited warrant(ies).

Go Rhino disclaims all other warranties except to the extent that any such warranty cannot be validly disclaimed under applicable law.

Finish Limited Warranty:

Limited lifetime on stainless steel products (after April 2004)

5 year warranty on black powder coat products

5 year warranty on chrome products

This warranty does not cover exposed welds

Finish warranty covers peeling, flaking, or cracking. Washing all finishes regularly with car wash soap and rinsing well with water is the best method for maintaining the finish on your products. You must also protect the finish with nonabrasive automotive wax on a regular basis. The use of any compound which contains abrasives becomes a self-defeating exercise as the compound scratches the finish and opens it to corrosion. The use of harsh chemicals used to remove bugs and tar may also cause the finish to fail and should be avoided.

If you are unsatisfied with your purchase please contact the establishment you purchased the product from.

If you need to place a warranty claim or need assistance, the Go Rhino customer service team will answer any questions you may have. Please contact the Go Rhino customer service team at 1-888-427-4466 during normal business hours Monday thru Friday 7 am to 5 pm PST. You may also email warranty@gorhino.com. In order to better serve you please provide a copy of the original invoice / receipt, a photo of the issue you are experiencing and a photo of the vehicle the product is installed on.

All warranty returns must have an approved RGA number. The RGA number must be clearly marked on the exterior of the return package. All approved warranty returns must be shipped to Go Rhino Products, 1002 Carriers Drive, Laredo, Texas 78045.

PRODUCT REGISTRATION

Please remember to register your new purchase. You may register your product at www.gorhino.com. Registering your product may help speed any future warranty or customer service inquiries.

Thank you again for purchasing from Go Rhino Products

Please take a few minutes to view additional products for your vehicle and more at GORHINO.com
These installation instructions are available on the Go Rhino web site along with installation videos for many of our products.

www.gorhino.com

www.bigcountryauto.com

www.gorhinopd.com