

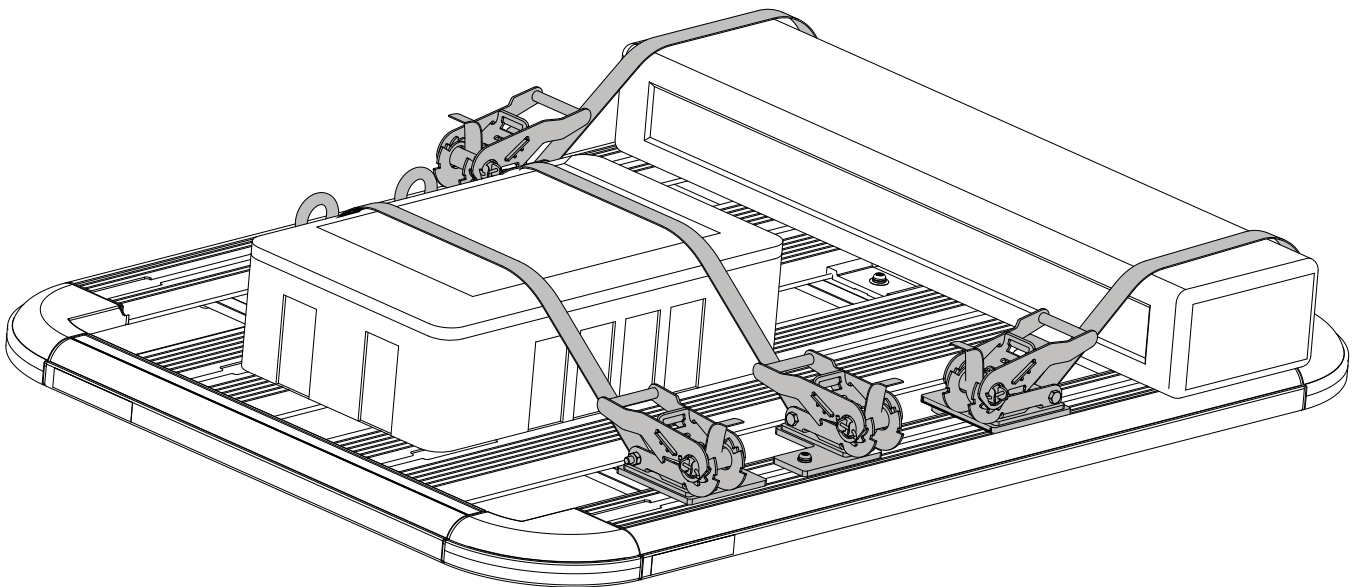


RHINO-RACK

43139 Adjustable Ratchet Grab with Strap

Important: Please read these instructions carefully prior to installation. Please refer to your fitting instruction to ensure that the ratchet grab is installed in the correct locations. Check the contents of kit before commencing fitment and report any discrepancies. Place these instructions in the vehicle's glove box after installation is complete.

Layout



Important Information

Recommendations:

Use only non-stretch fastening straps. Do not overload your Rhino-Rack Alloy Tray and roof bars. Check your vehicle's roof carrying capacity. Exercise caution when driving off road as vehicle roof height has been increased. Regularly check eye bolt and ratchet strap for signs of wear or damage. **Max load for polyester webbing is 225kg.**

Caution:

The handling characteristics of the vehicle changes when you transport a load on the roof. For safety reasons, we recommend exercising extreme care when transporting large wind-resisting loads; special consideration must be taken into account when negotiating corners and under braking. Must not be used for lifting. Always inspect prior to use. Protect from friction and abrasion. Do not tie knots in webbing. Do not use strap if it is damaged.

Note for Dealers and Fitters:

It is your responsibility to ensure instructions are given to the end user or client.

Rhino-Rack
3 Pike Street, Rydalmere,
NSW 2116, Australia.
(Ph) (02) 9638 4744
(Fax) (02) 9638 4822

Document No: R589
Prepared By: Peter Luu
Authorised By: Chris Murty

Issue No: 07
Issue Date: 14/01/2015

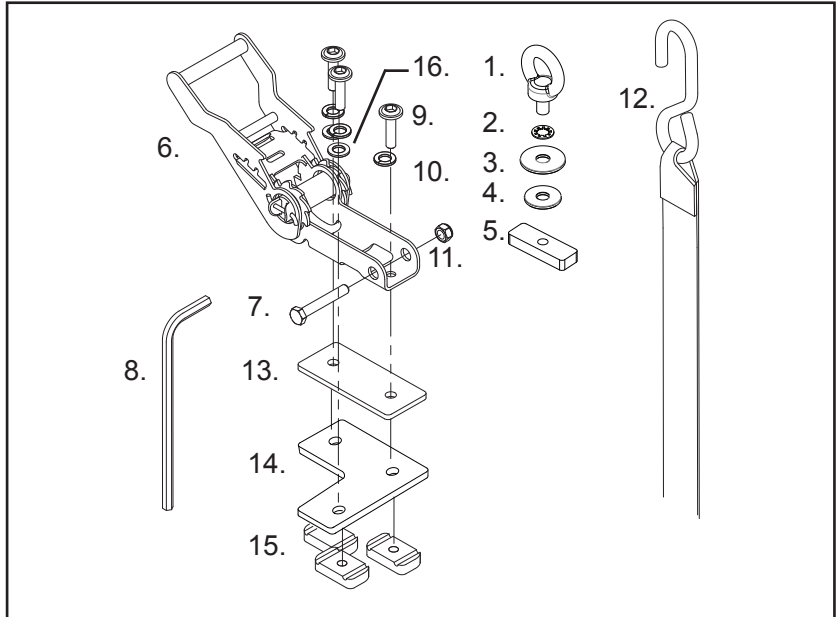
These instructions remain the property of RhinoRack Australia Pty. Ltd. and may not be used or changed for any other purpose than intended.



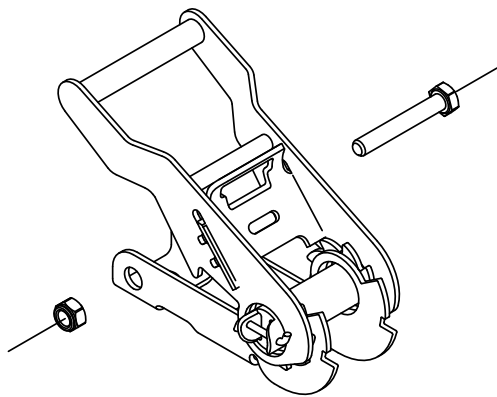
43139 Adjustable Ratchet Grab with Strap

Parts List

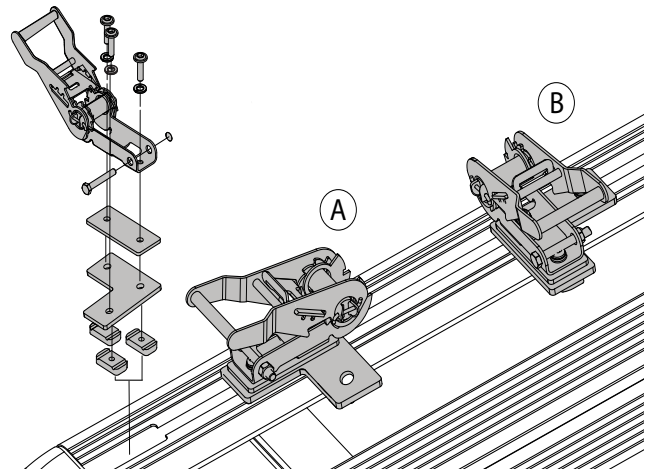
	Component Name	Qty.	Part No.
1	Eye Bolt 10mm	1	C013-B
2	M10 Internal S/Proof Wash	1	W021
3	M10 x 38 x 2.5 Flat Washer	1	W022
4	M10 x 30 Flat Washer	1	W023
5	M10 Plate Nut	1	N061
6	25mm Stainless Steel Ratchet	1	C062
7	M6 x 44mm Hex Bolt	1	B133
8	5mm Security Allen Key	1	H021
9	22mm Sec Screws	3	B062
10	6mm Spring Washer	3	W004
11	M6 Nyloc Nut	1	N013
12	2m Black Strap with Hook	1	C031
13	80mm x 35mm x 4mm Plate	1	C041
14	M6 Ratchet L Plate	1	CA1408
15	M6 Channel Nut	3	N002
16	M6 Flat Washer	2	W003
17	Instructions	1	R589



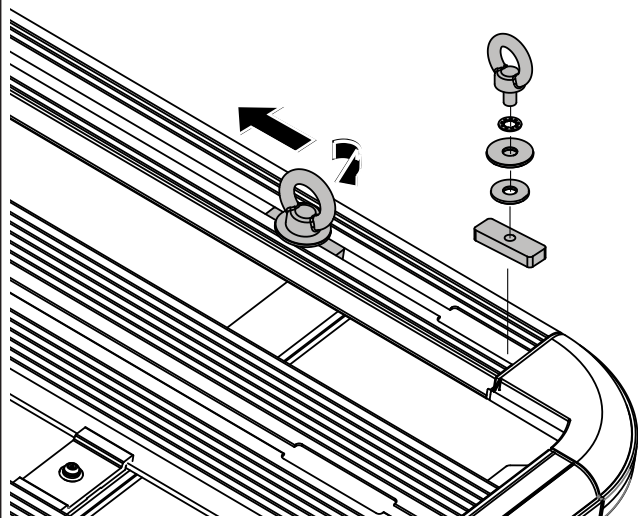
1 Remove the M6 x 44mm nyloc nut and M6 x 44mm hex head bolt.



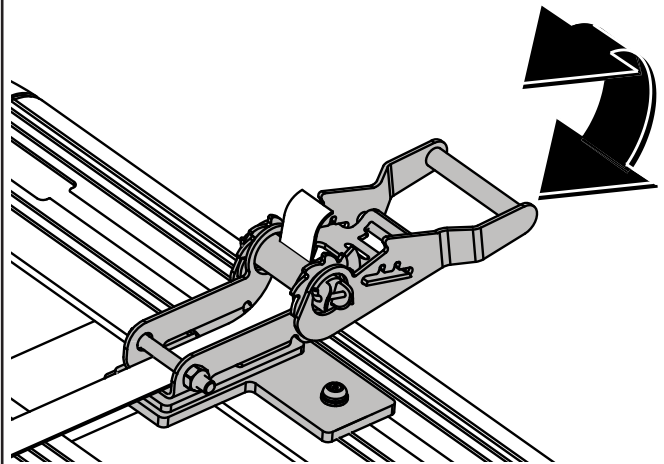
2 Assemble the ratchet as shown in either position A or B. Attach to Pioneer Tray with allen key.



3 Assemble the Eye Bolt as shown. Attach to Pioneer by turning the bolt clockwise.



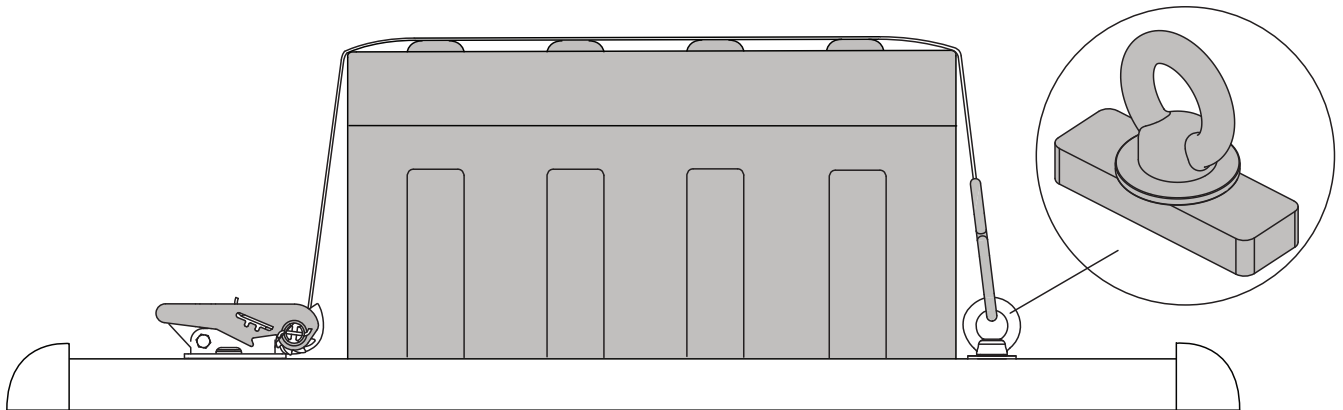
4 Insert the webbing strap under the M6 x 44mm hex head bolt and thread through the slot in the ratchet spool. Pull the strap through the spool slot until the webbing strap is firm. Tension fully by cycling the ratchet lever handle backwards and forwards.



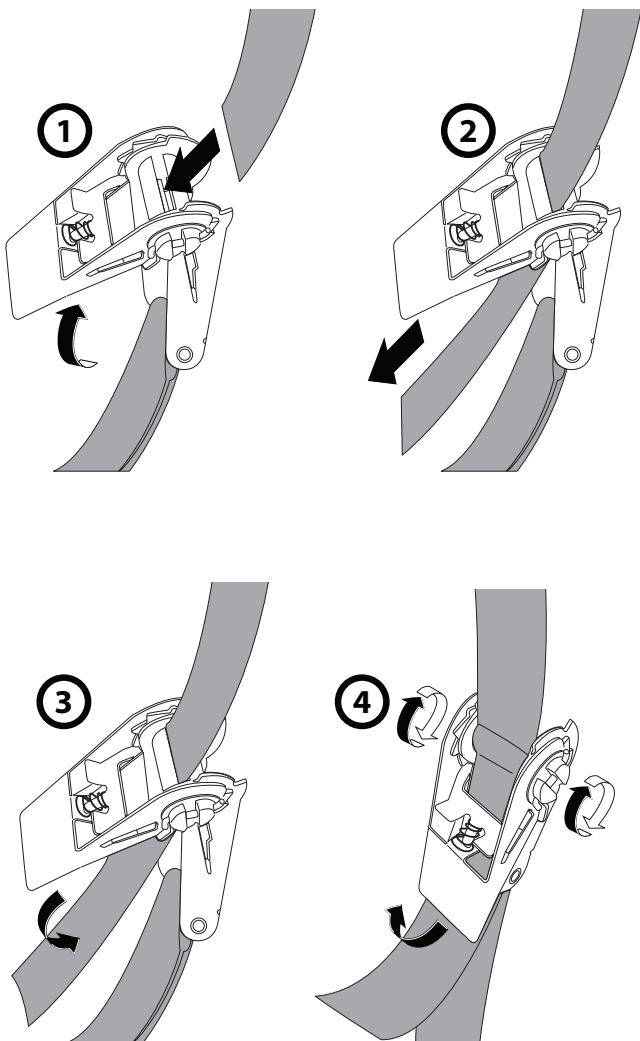


43139 Adjustable Ratchet Grab with Strap

- 5** **WARNING:** Do not over tension ratchet lever. This may cause damage to your alloy tray or vortex bar. Regularly check tension in straps during your journey. Tighten if necessary.



How to use the ratchet grab with the strap



How to undo the ratchet grab with the strap

