



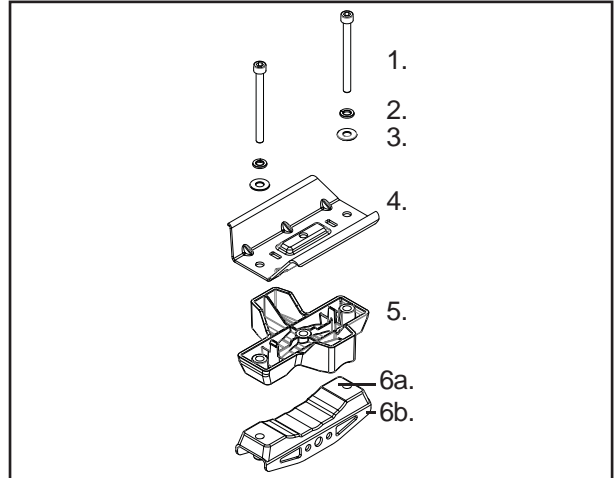
RHINO-RACK

CONTROLLED

43214/ 43215 - Universal Pioneer Bracket Set 2-4

Parts List

Item	Component Name	Part No.	43214	43215
1	M6 x 70mm Socket Head Cap Screw	B108	2	4
2	M6 Spring Washer	W004	2	4
3	M6 x 16mm Flat Washer	B036	2	4
4	Universal Top Plate	CA1418	2	4
5	Universal Top Pad	M780	2	4
6a	Universal Bottom Bracket Pad	SP049	2	4
6b	Universal Bottom Clamp	SP050	2	4
7	Instructions	R959	1	1

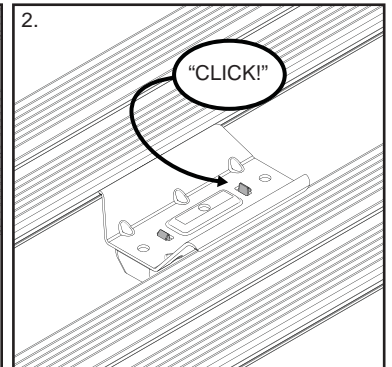
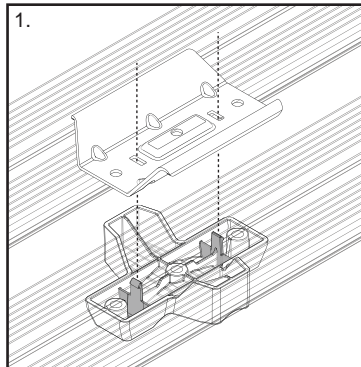
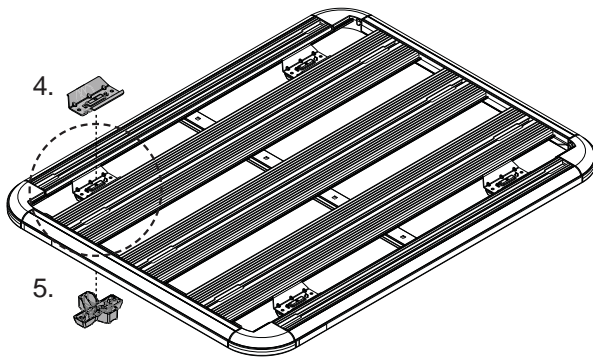


Note: For use with Pioneer 42114/ 42115.

Tools Required: 5mm Allen Key (provided in Pioneer Tray Kit)

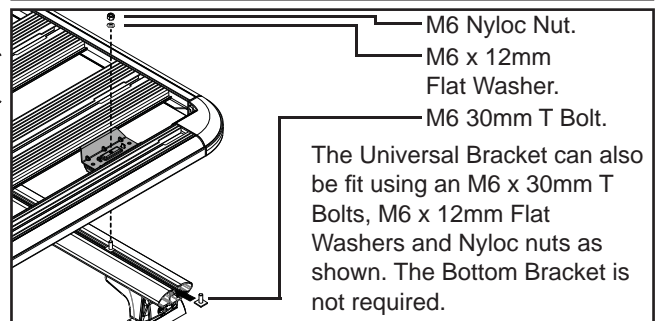
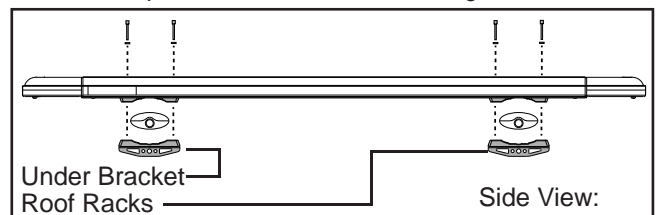
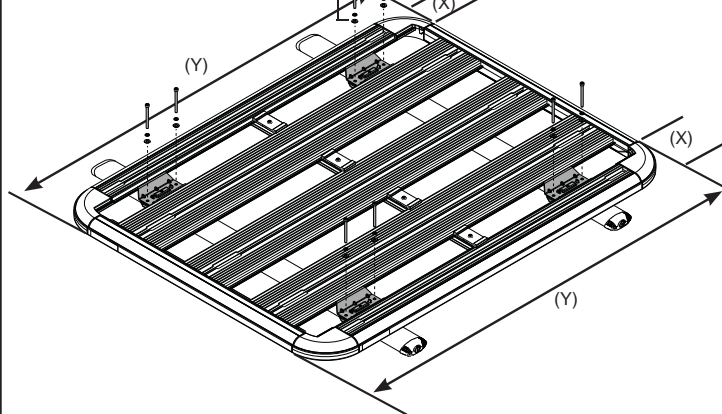
Instructions

- 1** Place the Universals Top Plate onto the top of the Platform. Place the Top Pad on the other side of the Plate. Clip the two sections together, there will be an audible 'click' when completed.



- 2** Place the Platform onto your roof racks, adjusting bracket position so the Assembly sits on top of the racks. Place the Under Bracket on the underside of the crossbar. Fix in place with hardware provided. Check fixtures are tight before use. Ensure it is evenly spaced.

- M6 x 70mm Skt Head Screw
- M6 Spring Washer
- M6 x 16 Flat Washer



3 Pike Street, Rydalmere,
NSW 2116, Australia.
(Ph) (02) 9638 4744
(Fax) (02) 9638 4822

Document No: R959
Prepared By: Kayle Everett
Authorised By: Chris Murty

Fit Time: 5min
Issue No: 02
Issue Date: 29/08/17

These instructions remain the property of RhinoRack Australia Pty. Ltd. and may not be used or changed for any other purpose than intended.