

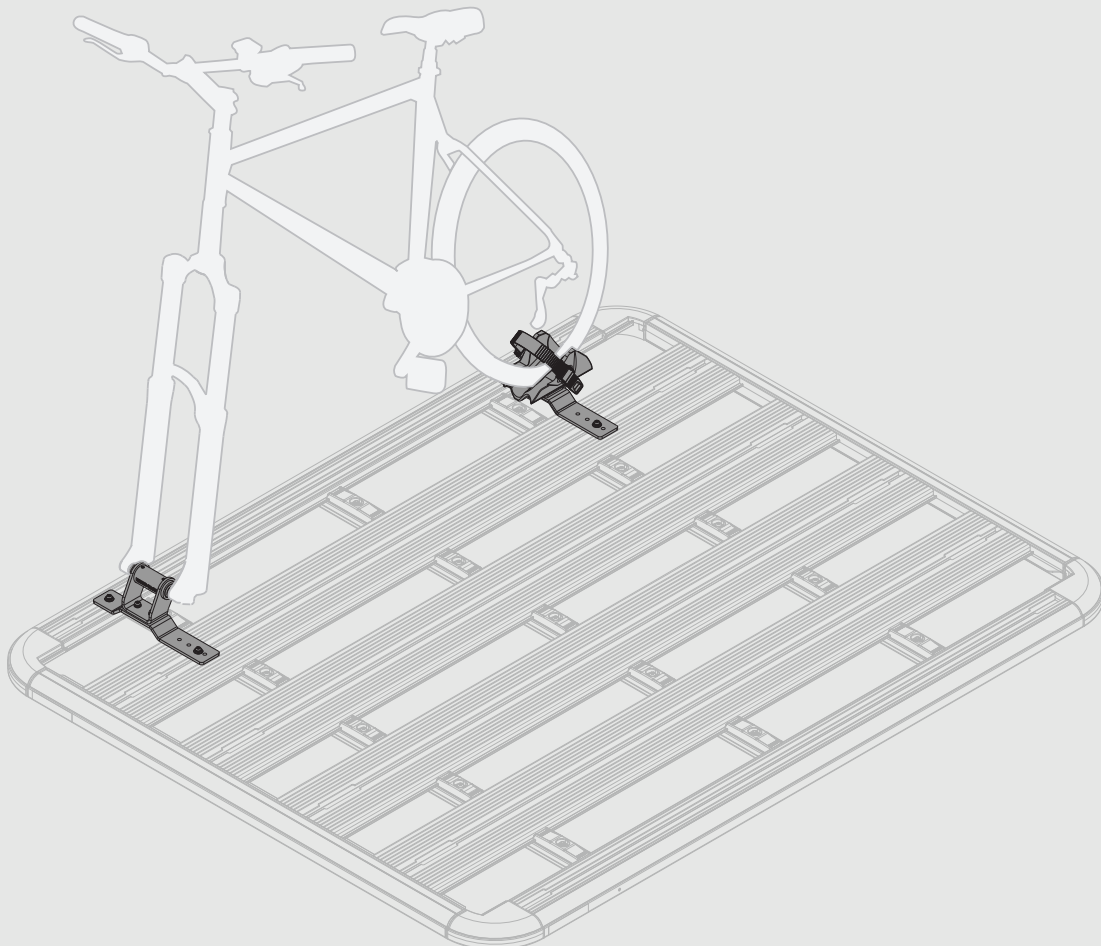
RHINO-RACK

PIONEER THRU-AXLE BIKE MOUNT - 43233

Important:

1. Check the Rhino-Rack website to ensure you have the latest issue of these instructions.
2. Please refer to your fitting instruction to ensure that the roof racks are installed in the correct locations.
3. Check the contents of kit before commencing fitment and report any discrepancies.
4. Place these instructions in the vehicle's glove box after installation is complete.
5. These instructions must be followed for warranty to be upheld.

Fit Time: 30MIN



43233 Thru-Axle Bike Mount Instructions

Carrying Capacity

Check your vehicle owners hand book for vehicle maximum carrying capacity. Please ensure you use the vehicle manufactures maximum roof allowance if it is lower than the figure listed in this instruction.

Load must be evenly distributed over the system.

Off Road: Any driven path taken that does not contain a surface protection layer (tar/bitumen).

System Load Limit: Total permissible weight allowed on top, and attached to roof racks whilst the vehicle is in motion.

System Load Limit	Off Road Cargo Allowance
17kg / 37lb	11kg / 24lbs

Torque Settings

Unless stated otherwise in these instructions, all fasteners should be set to the following torque settings - M6: 4-5Nm (3-4lbs/ft), M8: 8-10Nm (6-7.5lbs/ft) and M10: 16-18Nm (12-13lbs/ft).

Warning

- Check part number/ or kit is correct for use with your vehicle.
- Do not attempt to fit the rack system to your vehicle unless you fully understand these fitting instructions. Please direct any questions regarding fitting to the dealer from where the roof racks were purchased.
- Although the system is tested and approved to AS1235-2000 / ISO 11154, off-road conditions can be much more rigorous. Extreme care must be taken in off road conditions.
- Roof racks must be removed when vehicle is put through an automatic car wash.
- With utility vehicles, the cabin and the canopy move independently. Roofracks and vehicle can be damaged if the item transported is rigidly fixed at points on both the cabin and canopy. Instead, rigidly fix to either the cabin roofracks or the canopy roofracks.
- Always ensure you fasten your load securely.
- Use only non-stretch fastening ropes or straps to attach cargo to your load.
- Wash roof/rails prior to installing.

In service maintenance checks

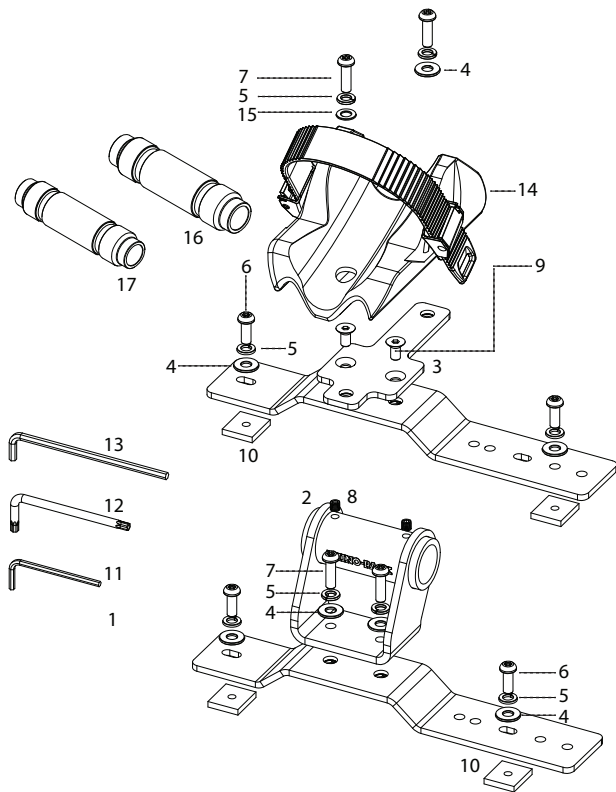
- All bolted connections should be checked after driving a short distance when you first install your roof racks.
- All bolted connections should be checked again at regular intervals (weekly is recommended, depending on road conditions, usage, loads and distances travelled).
- All bolted connections should be checked each time they are re-fitted.

Note for Dealers and Fitters

It is your responsibility to ensure these fitting instructions are given to the end user or client. These instructions remain the property of Rhino-Rack Australia Pty. Ltd. and may not be used or changed for any other purpose than intended.

43233 Thru-Axle Bike Mount Instructions

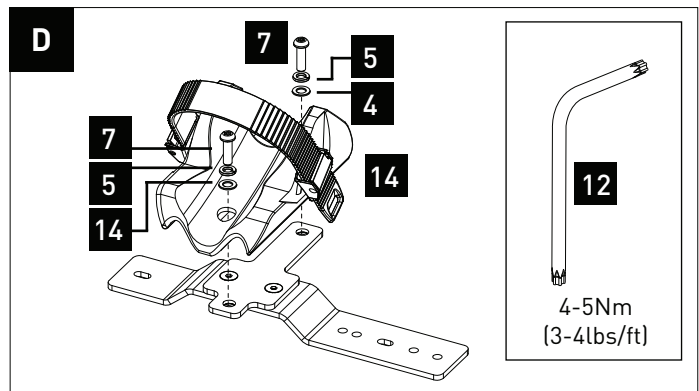
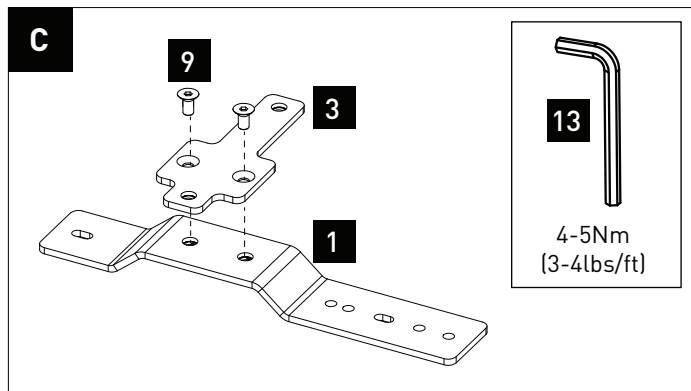
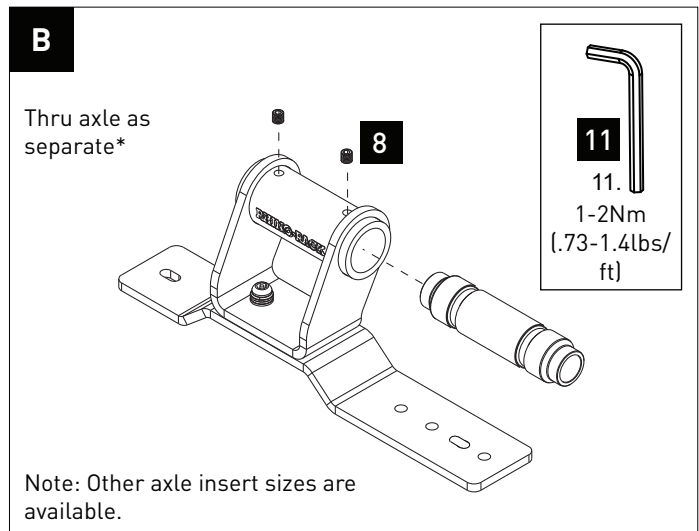
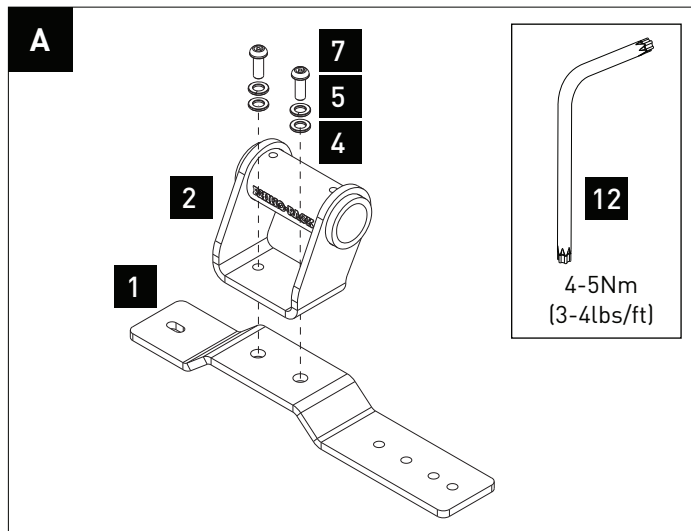
Parts List



Item	Description	Qty
1	Multi Axle Mount Bracket	2
2	Multi Axle Fork Mount	1
3	Rear Wheel Adaptor Plate	1
4	M6 x 16mm Flat Washer	7
5	M6 Spring Washer	5
6	M6 x 16mm T27 Sec Screw	4
7	M6 x 20mm T27 Sec Screw	4
8	M6 x 6mm Grub Screw	2
9	M6 x 12mm CSK Set Screw	2
10	M6 x 24mm x 21mm Plate Nut	4
11	3mm Allen Key	1
12	T27 Torx Key	1
13	4mm Allen Key	1
14	Rear Wheel Key	1
15	M6 x 12.5mm Flat Washer	1
16	15 x 100mm Multi Axle Adaptor	1
17	9 X 100mm Multi Axle Adaptor	1

Tools Required:
T1 - Measuring Tape

Installation Steps



43233 Thru-Axle Bike Mount Instructions

E

Select the appropriate slots to suit position on Pioneer platform.

Finger tighten.

F

(X)

(X)

12

4-5Nm
(3-4lbs/ft)

G

Carrier can be rotated when installing to smaller trays. The rear wheel mount will then grip the inside of the bike wheel.

H

To prevent handlebars clashing when multiple carriers are used, rotate the front carrier on alternating setups.

98mm

263mm

95mm

263mm