



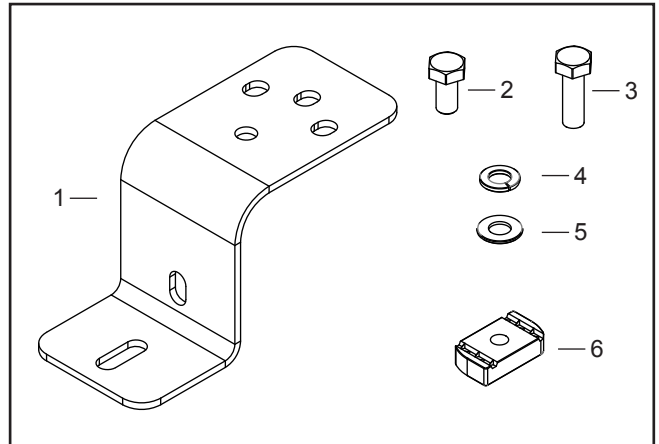
RHINO-RACK

43234 Pioneer Worklight Bracket

Place these instructions in the vehicle's glove box after installation is complete.

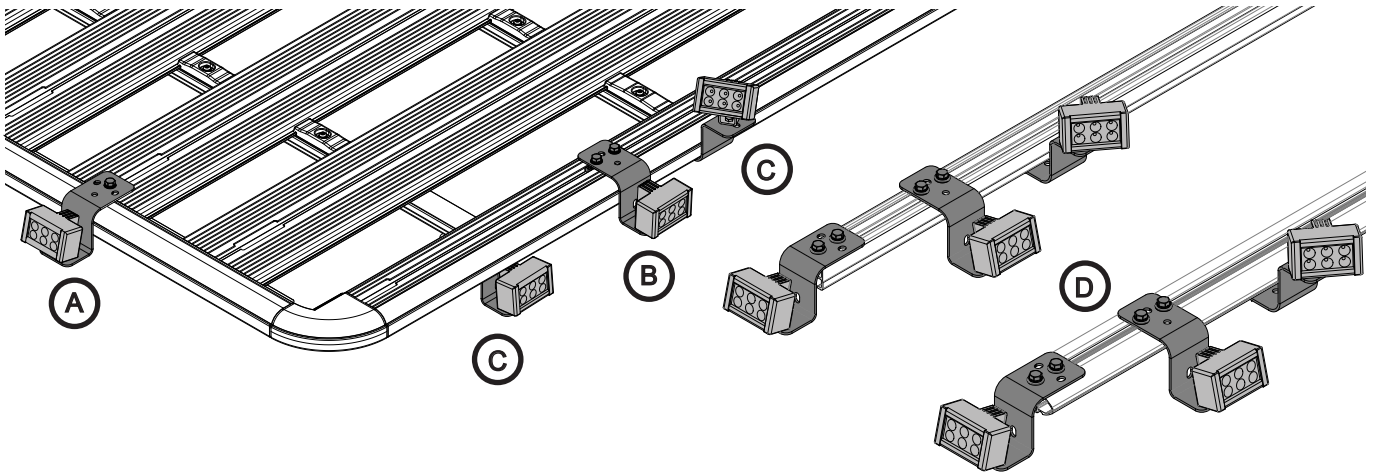
Important: Please read these instructions carefully prior to installation. Please refer to your fitting instruction to ensure that the alloy tray is installed correctly. Check the contents of this kit before commencing fitment and report any discrepancies.

Item	Component Name	Qty	Part No.
1	Universal LED Single Bracket	1	CA1734
2	M6 x 16 Hex Bolt	2	B168
3	M6 x 25 Hex Bolt	2	B067
4	M6 Spring Washer	2	W004
5	M6 Flat Washer	2	W031
6	M6 Channel Nut	2	N002
7	Fitting Instructions	1	R1033

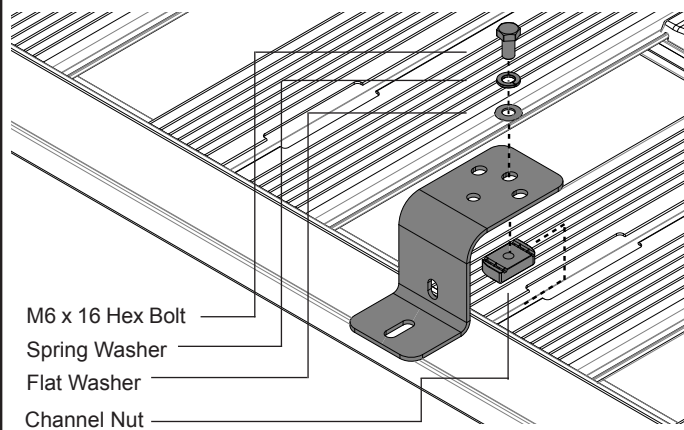


Tools Required
13mm Spanner

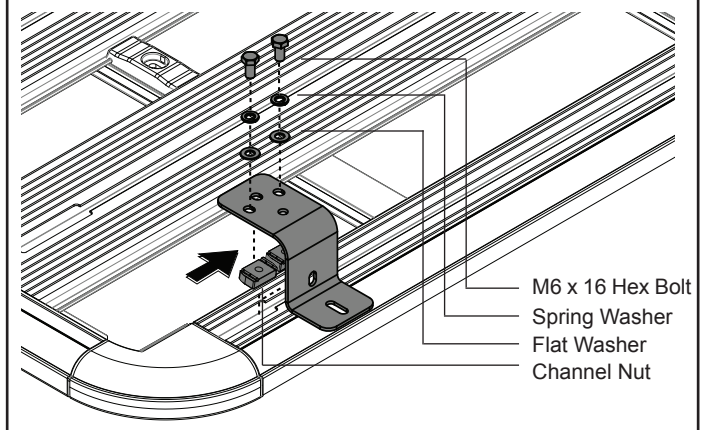
Note There are several mounting options for mounting the light bracket onto the tray or crossbar. Decide on the mounting option and follow the steps accordingly.



1A Assemble the bracket onto front or rear of the tray as shown below. Tighten and proceed to step 2.



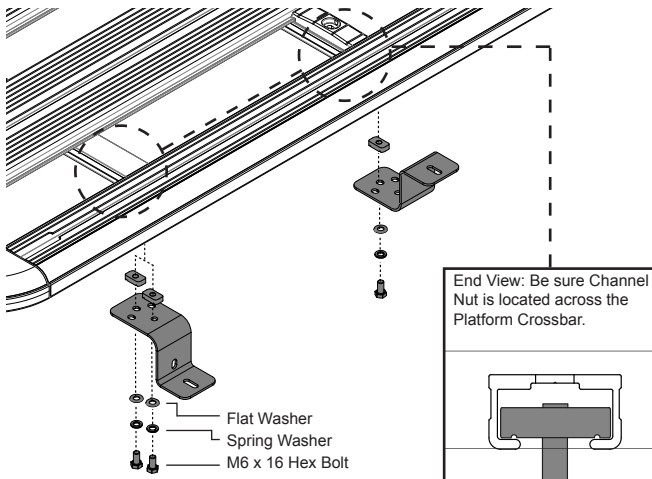
1B Assemble the bracket onto the side of the tray as shown below. Tighten and proceed to step 2.



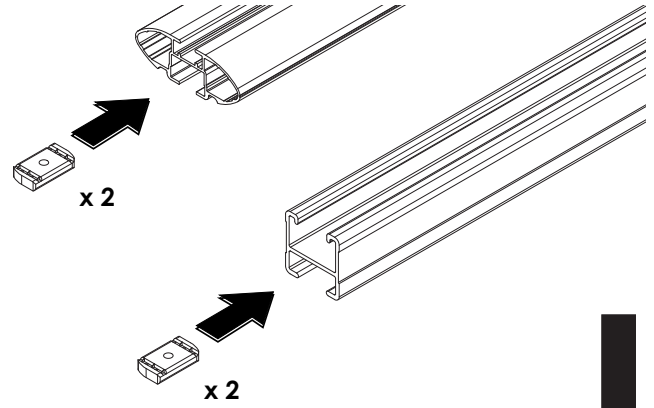


43234 Pioneer Worklight Bracket

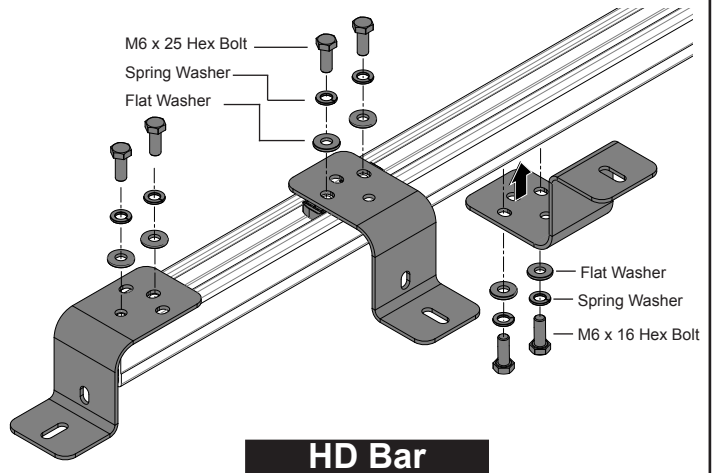
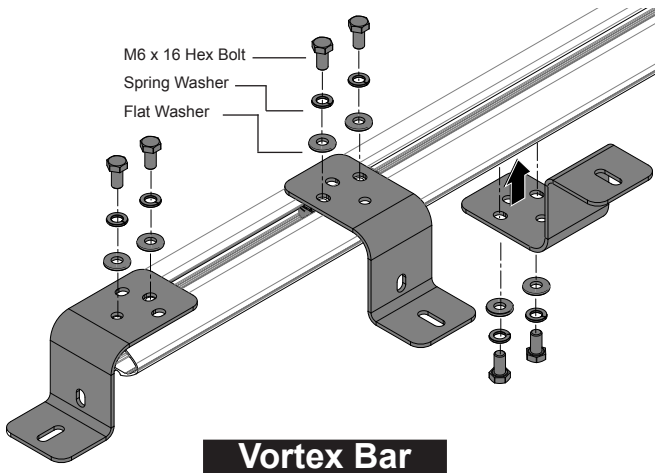
1C Assemble the bracket on the underside of the tray, in the crossbar recess as shown below. Tighten.



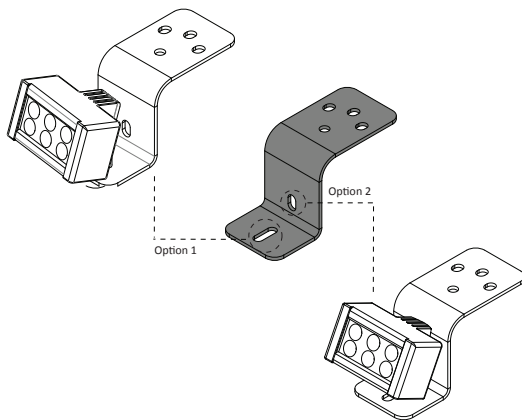
1D Remove rubber strip and end cap of Vortex/HD Bars. Slide two Channel nuts into the channel of the bar. Top channel for top LED mount and bottom channel for bottom LED mount.



1D Place the bracket over the two channel nuts and fix in place with the M6 bolt, M6 spring washer and M6 flat washer at the locations shown. Tighten.



2 Mount the assembled LED onto the bracket using any of the two options. Place the LED to the desired angle. Tighten.



Rhino-Rack
 3 Pike Street, Rydalmere,
 NSW 2116, Australia.
 (Ph) (02) 9638 4744
 (Fax) (02) 9638 4822

Document No: R1033
 Prepared By: Peter Luu
 Authorised By: Chris Murty

Issue No: 02
 Issue Date: 10/10/2017

These instructions remain the property of Rhinorack Australia Pty Ltd and may not be used or changed for any other purpose than intended.