



Installation Instructions Supertop NX

Vehicle Application:

- Jeep Wrangler Unlimited
2004 – 2006
Part Number: 54721

INSTALLATION TIME	SKILL LEVEL		
 3 Hours	 2 - Moderately Easy		
TOOLS			
 1/8" Bit	 #1, #2 & #3	 T30	



! WARNING This product is designed primarily to enhance the appearance of the vehicle. Do not rely in any way on the components of this product to protect against injury or death in the event of an accident. Never operate the vehicle in excess of manufacturer's specifications.

WEAR SEAT BELTS AT ALL TIMES

Read and follow, precisely, all installation instructions provided when installing product. Failure to do so may result in a poor fit and could place occupants of the vehicle in a potentially dangerous situation.

Supertop NX Installation Instructions

Parts List and Hardware Identification

Fabric Top	Qty - 1
Quarter Window, Right	Qty - 1
Quarter Window, Left	Qty - 1
Rear Window	Qty - 1

Parts List:

- #2 Bow Assembly, Qty - 1, Part Number 403.77
- #3 Bow-Center, Qty - 1, Part Number 483.02
- Door Surround - Left, Qty - 1, Part Number 475.97
- Door Surround - Right, Qty - 1, Part Number 475.96
- Side Bow - Left, Qty - 1, Part Number 483.01
- Side Bow - Right, Qty - 1, Part Number 483.00
- Tailgate Bar, Qty - 1, Part Number 288.76
- Top Arch, Qty - 1, Part Number 479.25
- Stiffener, Qty - 2, Part Number 396.04
- #3 Bow Leg - Left, Qty - 1, Part Number 483.02
- #3 Bow Leg - Right, Qty - 1, Part Number 483.02
- Windshield Header, Qty - 1, Part Number 478.33
- Door Surround Knob, Qty - 4, Part Number 478.90
- Tailgate Mount - Left, Qty - 1, Part Number 311.85
- Tailgate Mount - Right, Qty - 1, Part Number 311.86
- Pivot Bracket - Left, Qty - 1, Part Number 478.37
- Pivot Bracket - Right, Qty - 1, Part Number 478.36
- Rear Window Roll-Up Straps (2 per pkg.), Qty - 1, Part Number 386.90

Hardware Identification:

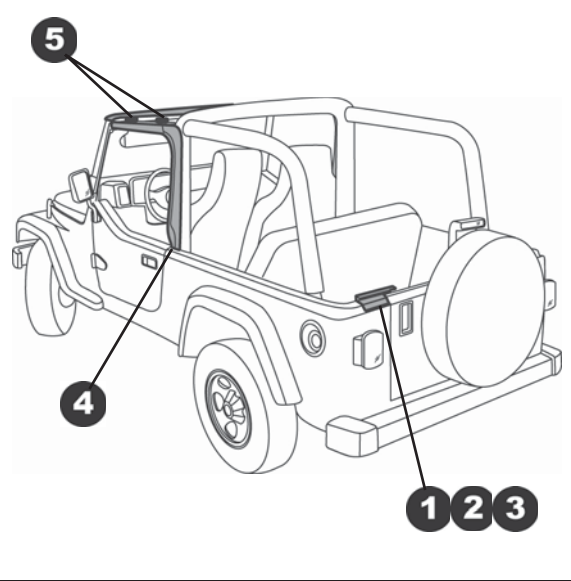
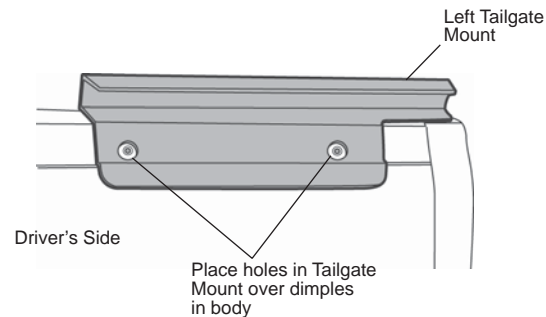
- #8 x 1/2" Pan Head Washer Screw - Black, Qty - 18, Part Number 200.48
- #8 x 1/2" Self Drilling Screw, Qty - 2, Part Number 312.09
- Oval Head Screw, Qty - 2, Part Number 276.56
- Pivot Knuckle Screw, Qty - 2, Part Number 308.65
- Pivot Bracket Bolt, Qty - 4, Part Number 308.64
- M5 x 30 Machine Screw, Qty - 2, Part Number 308.87
- #12 x 3/8" Tapping Screw, Qty - 4, Part Number 309.73
- Bushing, Qty - 4, Part Number 473.40
- #8 x 5/8" Tapping Screw, Qty - 8, Part Number 278.13
- M5 Lock Nut, Qty - 2, Part Number 308.62
- .5ml Tube Red Loctite, Qty - 1, Part Number 309.83

Supertop NX Installation Instructions

1 Orient Tailgate Mounts

Locate the left and right Tailgate Mounts. Place the holes in the mounts over the dimples in the vehicle body. Mark the hole locations.

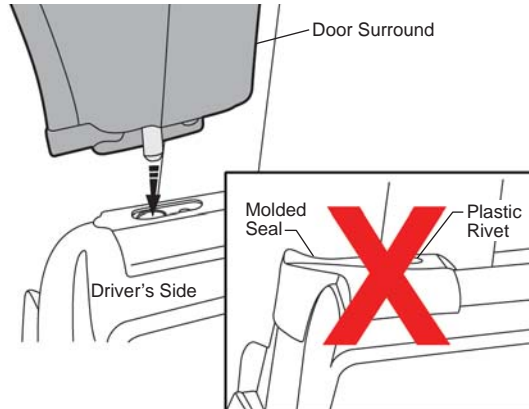
If you already have holes that line up, go to Step 3.



4 Install Door Surrounds

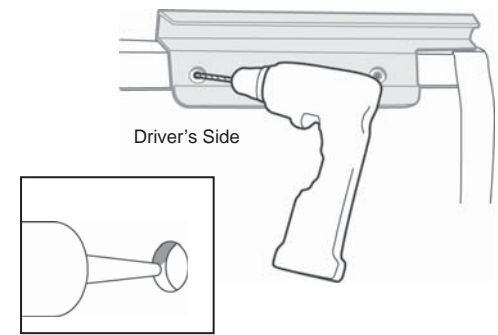
If your vehicle has molded seals on the belt rail, remove them by pulling up on the plastic rivet.

Locate the left and right Door Surrounds. Insert the pin in the bottom of the Door Surround into the hole in the belt rail behind the door.



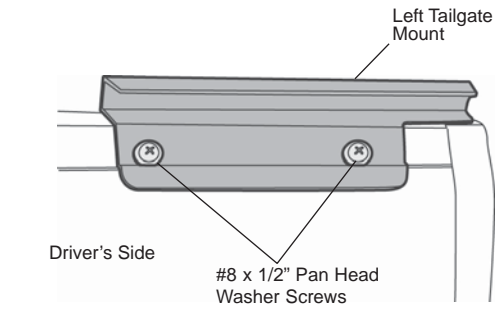
2 Drill Holes

Drill a 1/8" hole at the marked locations. Deburr the holes and seal the edges of the holes with Silicone Sealant.



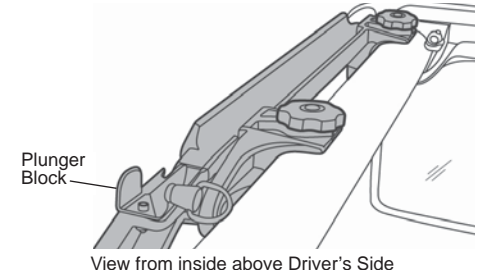
3 Install Tailgate Mounts

Install the Tailgate Mounts with two #8 x 1/2" Pan Head Washer Screws for each mount.



5 Install Door Surround Knobs

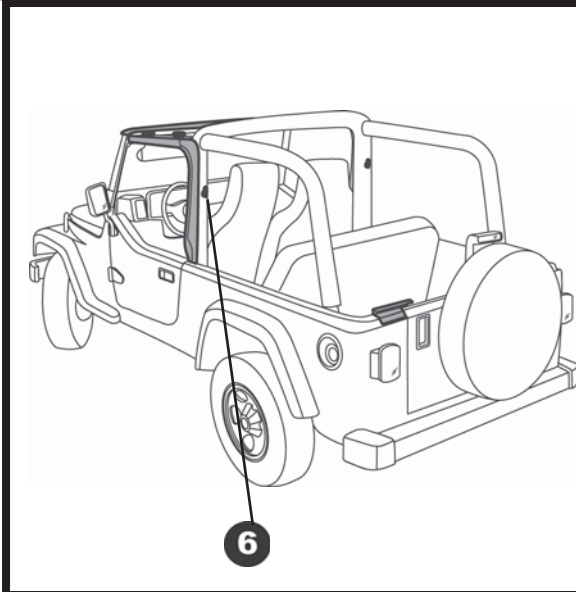
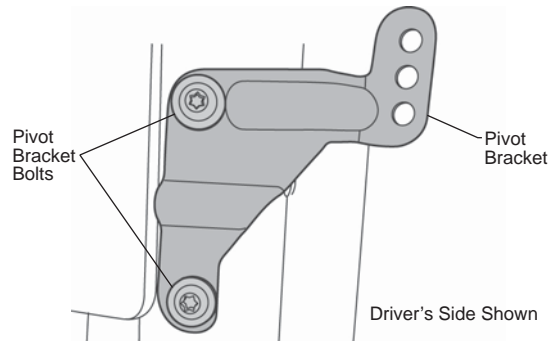
Press the channels along the top of the Door Surround around the horizontal sport bar, above the door opening. Insert two knobs into the Door Surround and tighten them down.



Supertop NX Installation Instructions

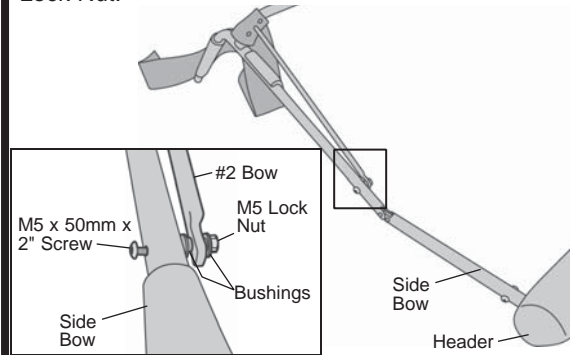
6 Mount Pivot Brackets on Sport Bars

Unzip the vertical padded cover over the sport bar and pull the pad away from the bar to expose the bracket location holes. Orient the Pivot Brackets over the existing holes in the sport bar and install them with the Pivot Bracket Bolts (two bolts per bracket). Zip the padded cover closed.



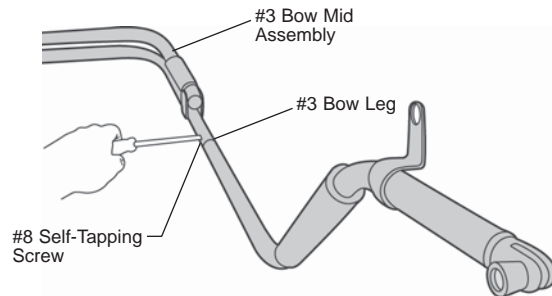
9 Assemble #2 Bow to Header / Side Bow Assembly

Turn the assembly over and place the #2 Bow on it so it rests on top of the curve of the Side Bows. Secure the #2 Bow to the assembly with an M5 x 50mm x 2" Screw, two (2) Bushings and an M5 Lock Nut.



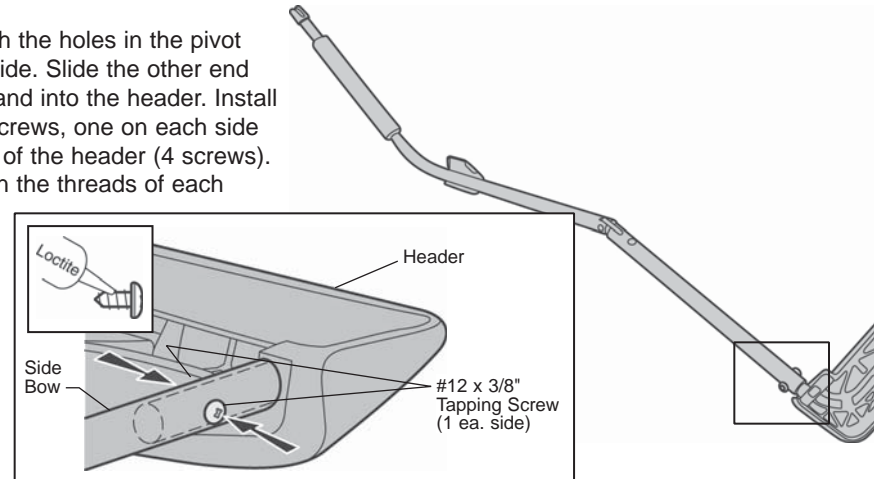
7 Assemble #3 Bow

Orient the #3 Bow Legs to the #3 Bow-Center with the knobs in the pivot knuckles toward the inside. Install a #8 Self-Tapping Screw in each leg.



8 Assemble Side Bows to Header

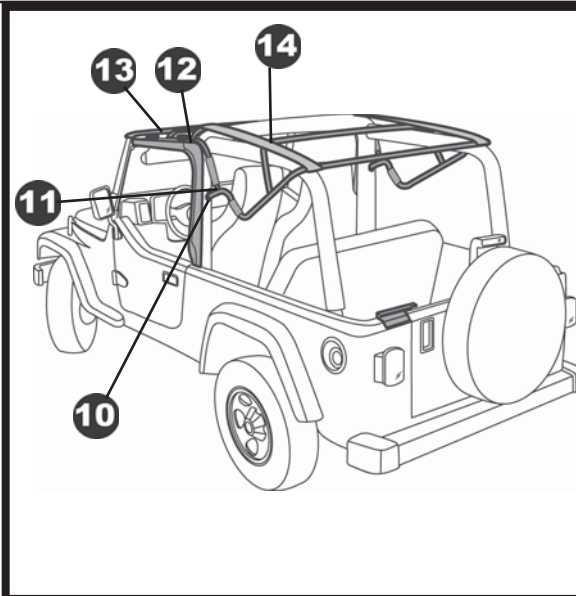
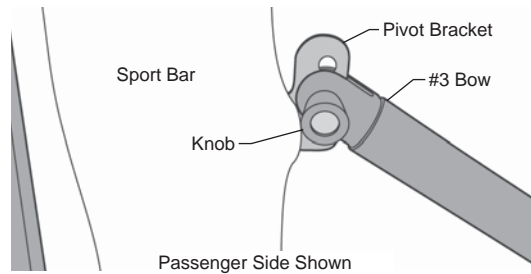
Orient the Side Bows with the holes in the pivot knuckles toward the outside. Slide the other end over the section of tube and into the header. Install the #12 x 3/8" Tapping Screws, one on each side of the bow, on each side of the header (4 screws). Place a drop of Loctite on the threads of each screw before installing.



Supertop NX Installation Instructions

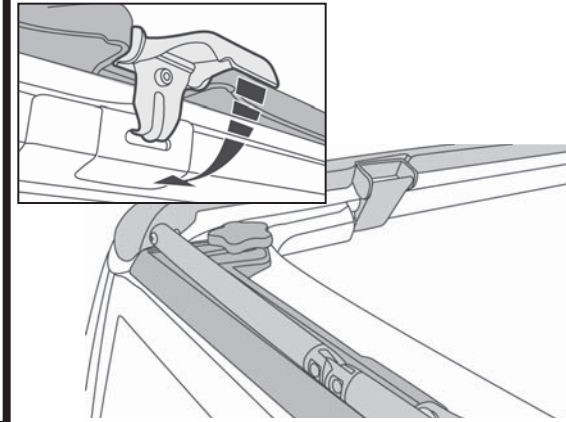
10 Install #3 Bow Assembly

To install the #3 Bow to the Pivot Bracket, pull out on the knob on the pivot knuckle and slide the slot in the knuckle over the Pivot Bracket. When the spring pin lines up with the bottom hole in the bracket release the knob. **If you are installing a new soft top, attach the bow to the bottom hole. You can move the knuckle to the an upper hole to tighten the top at a later time.**



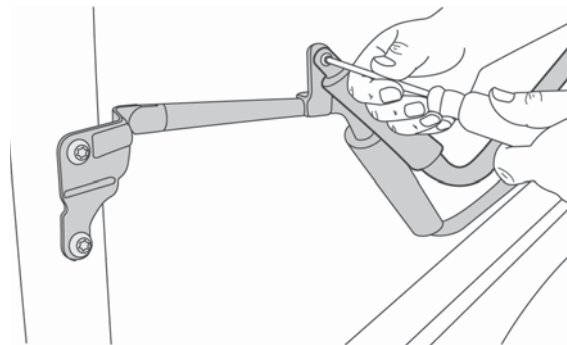
13 Secure Header to Windshield

Raise the Bow Assembly and latch the Header to the windshield.



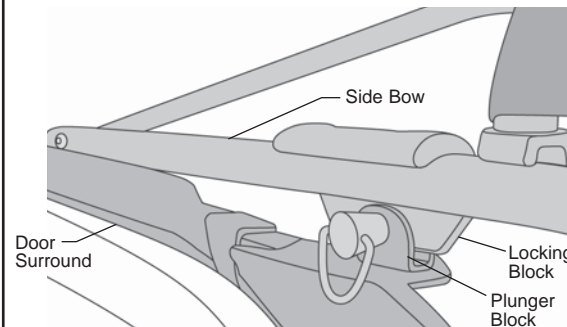
11 Install Header/#2 Bow Assembly

Use two (2) Pivot Knuckle Bolts to mount the Header/#2 Bow Assembly to the tab on the #3 Bow.



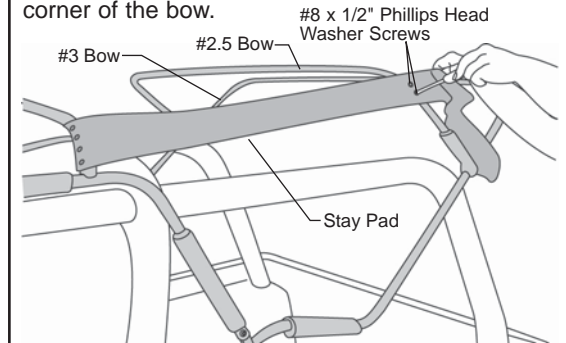
12 Secure Side Bows to Door Surrounds

Locate the Plunger Block mounted to each of the Door Surrounds and the Locking Block on each of the Side Bows. Secure the Locking Blocks into the Plunger Blocks.



14 Secure Stay Pad

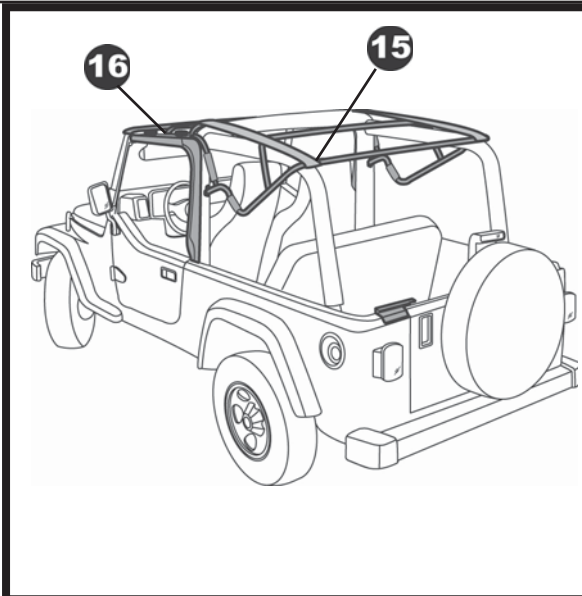
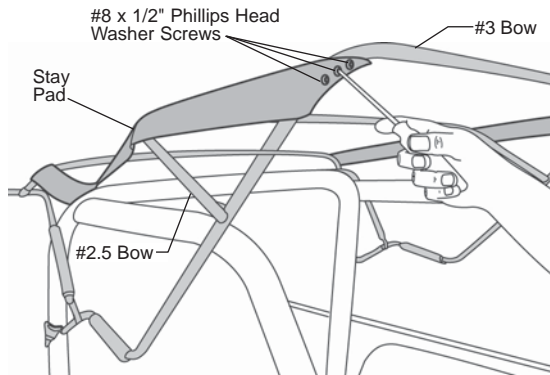
Pull the fabric stay pad on the #2 Bow straight back to the #2.5 Bow (attached to the #2 Bow). Do not twist the pad. Use two (2) #8 x 1/2" Phillips Head Washer Screws to secure the pad to the corner of the bow.



Supertop NX Installation Instructions

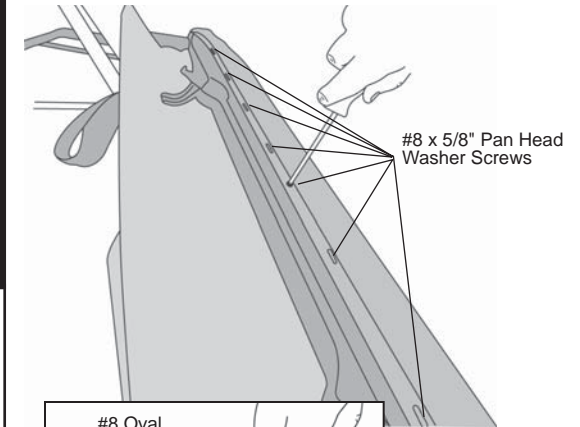
15 Secure Stay Pad

Pull the tail of the fabric stay pad straight back to the #3 Bow. Do not twist the pad. Use three (3) #8 x 1/2" Phillips Head Washer Screws to secure the pad to the corner of the bow.



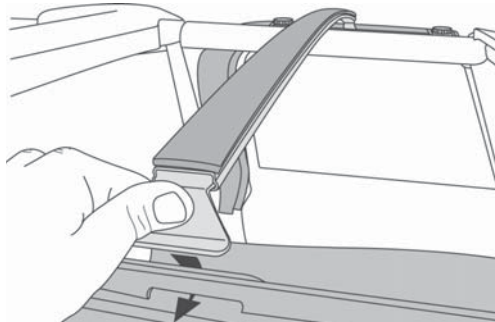
18 Secure Top Fabric to Header

Align the front edge of the fabric with the front edge of the header. Locate the round hole that marks the center of the fabric (all other holes are slotted). Install a #8 x 5/8" Pan Head Washer Screw in the round hole to secure the fabric to the header as well as to center the top. Then install screws in the rest of the eight (8) holes along the front of the header. Install a #8 Oval Head Screw in each corner.



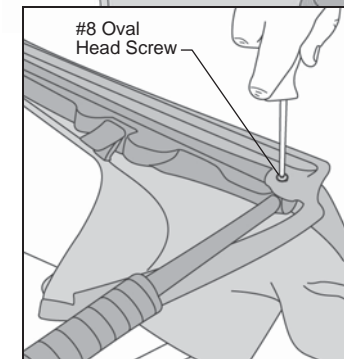
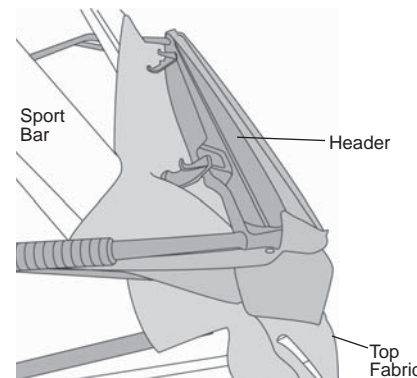
16 Install Top Arch

Remove the paper backing from the Top Arch. Insert one end of the top arch in to the slot in the middle of one of the Door Surrounds. Push the other end inward to flex the bow and insert it into the slot on the other side of the vehicle.



17 Place Top Fabric in Vehicle

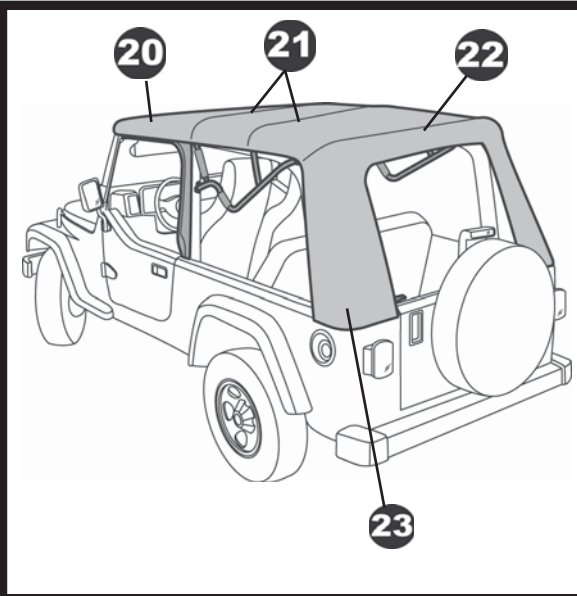
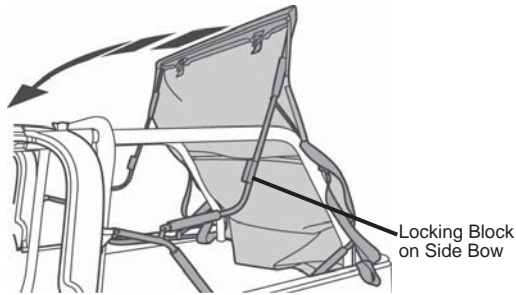
Place the Top Fabric in the vehicle with the backing side of the front edge up. Lay the bow assembly down and wrap the front edge of the fabric around the Header.



Supertop NX Installation Instructions

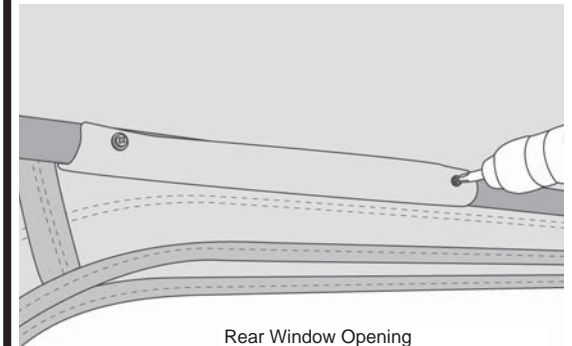
19 Drape Top Fabric over Vehicle

Unfold the deck and open the header up toward the windshield of the vehicle.



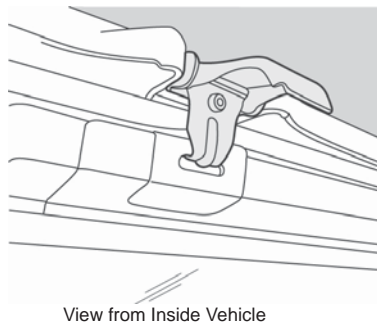
22 Secure Rear Bow

Locate the flaps inside the rear window opening. Install four (4) #8 x 1/2" Pan Head Washer Screws to secure the flaps to the #3 Bow.



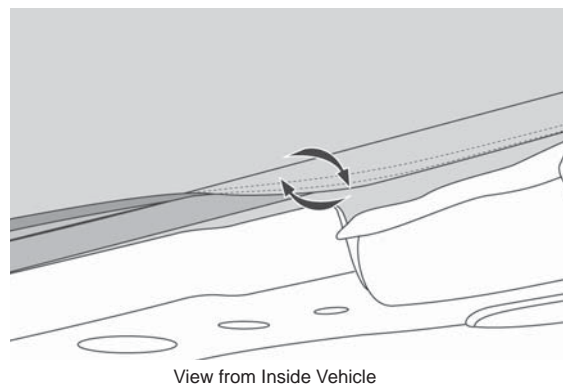
20 Secure Header

Catch the hook on the latch on the header in the slot in the windshield frame. DO NOT LOCK it at this time.



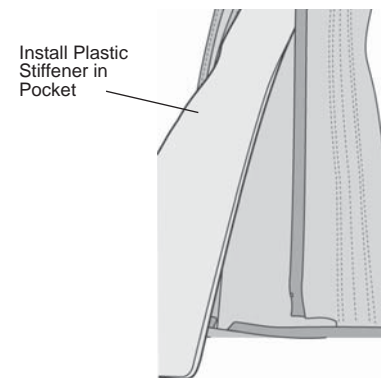
21 Secure #2 Bow and #2.5 Bow

Inside the top, wrap the flaps around the #2 Bow and the #2.5 Bow and fasten the hook and loop.



23 Install Plastic Corner Stiffeners

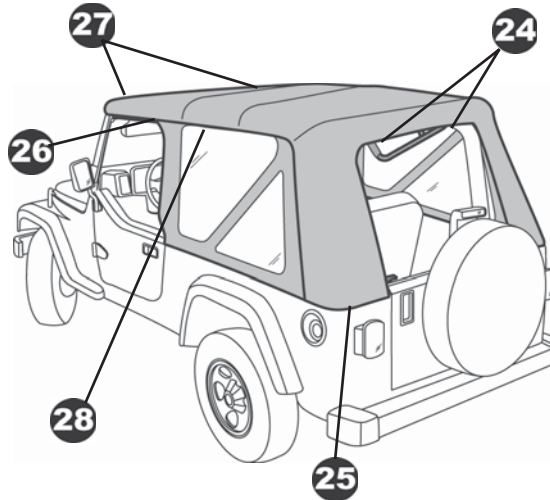
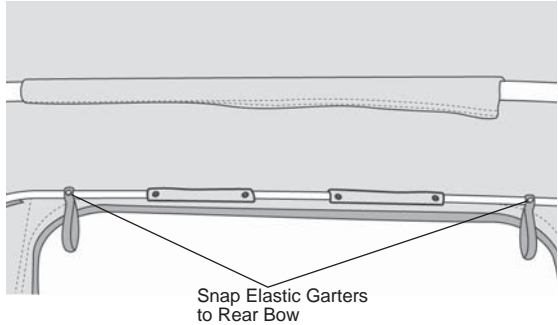
Open the zipper inside the rear corner of the top and install a plastic stiffener in the pocket. Repeat this on both sides of the vehicle.



Supertop NX Installation Instructions

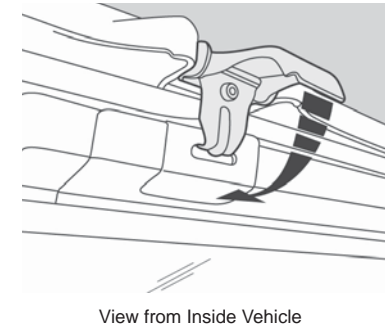
24 Install Elastic Garters

Snap the Elastic Garters to the snaps on the Rear Bow above the rear window opening.



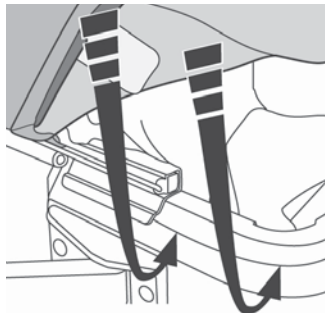
27 Secure Header to Windshield

Lock the left and right latches to the windshield.



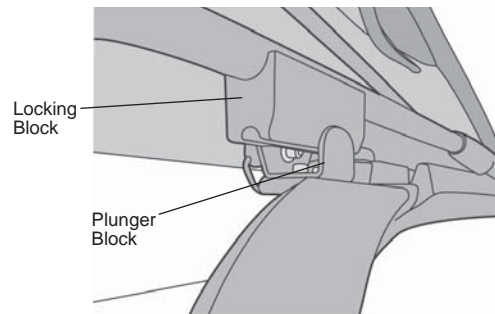
25 Secure Rear Corners

Pull down on the Rear Bow and work the plastic sewn to the rear corners of the top into the retainer on the vehicle.



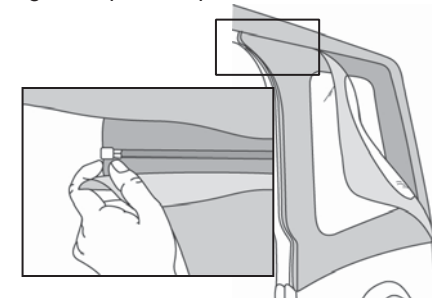
26 Secure Side Bows to Door Surrounds

Locate the Plunger Block mounted to each of the Door Surround and the Locking Block on each of the Side Bows. Secure the Locking Blocks into the Plunger Blocks.



28 Attach Quarter Window Zippers

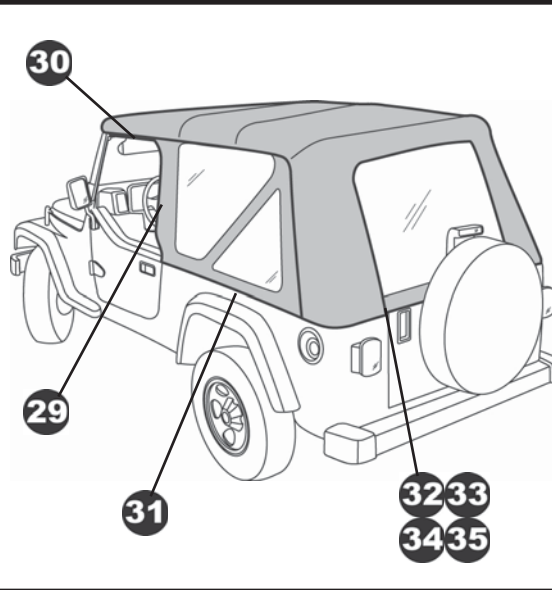
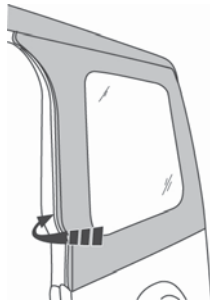
Locate the left and right Quarter Windows and orient them with the zipper along the top and rear of the panel. Start the zipper at the front top corner of the Quarter Window, next to the door. Hold the end of the zipper and close the zipper slider 10" - 12" along the top of the panel.



Supertop NX Installation Instructions

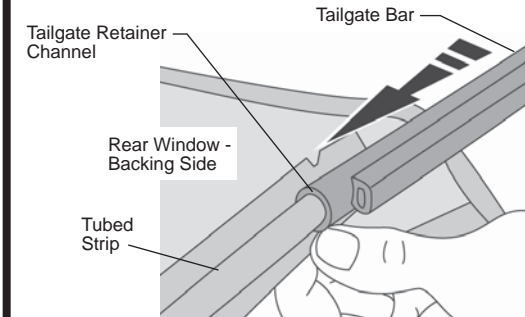
29 Secure Front of Quarter Windows

Roll the plastic along the front of the Quarter Window into the channel of the Door Surround on the vehicle.



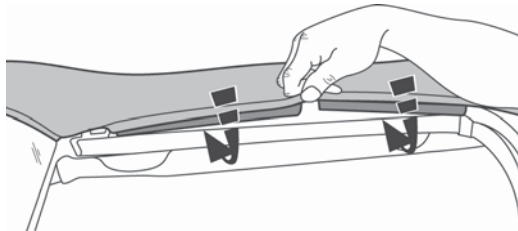
32 Install Tailgate Bar on Rear Window

Slide the "C" channel on the Tailgate Retainer onto the tubed strip sewn to the Rear Window.



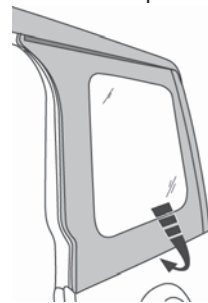
30 Secure Top above Door Openings

Roll the two plastic strips above each door opening into the channel in the Door Surround on each side of the vehicle.



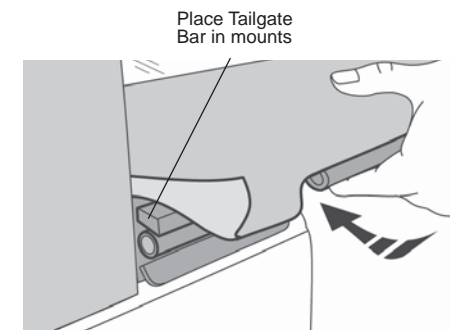
31 Secure Quarter Windows

Close the zippers on the Quarter Windows the rest of the way. Start at the rear and roll the plastic on the bottom of the panel into the retainer on the vehicle. Fasten the hook and loop strips along the top and rear of the panel to the Top.



33 Install Tailgate Bar on Vehicle

Insert the Tailgate Bar into the Tailgate Mounts on each side of the tailgate opening.

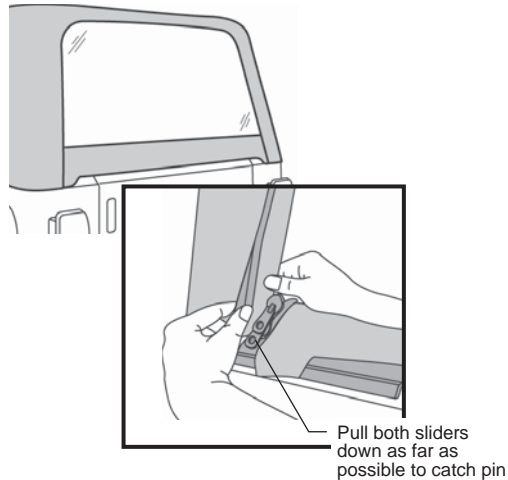


Supertop NX Installation Instructions

34 Secure Rear Window Zippers

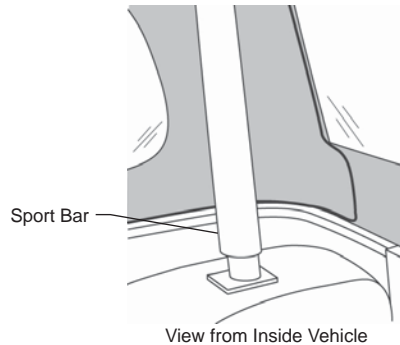
To start the zipper, pull the two sliders as far down as possible on the driver's side of the window in order to catch the sliders to the pin. Once the zipper is caught, start the top slider 1/2". Then hold up the top of the window with one hand and close the zipper with the other. The zipper is sandwiched between layers of fabric in the corners so be careful not to catch extra fabric in the zipper. Close the zipper.

Make sure that the Tailgate Bar is centered and is securely in the mounts. Then tuck the flaps on the Rear Window under the top fabric.



35 Secure Rear Window Flaps

Inside the top locate the flaps sewn to the top on each side of the rear window opening. Pull the flaps over to cover the zipper and tuck them in.



! WARNING When operating the vehicle without the Quarter Windows, the Rear Window should be rolled up and secured with the elastic garters for proper ventilation.

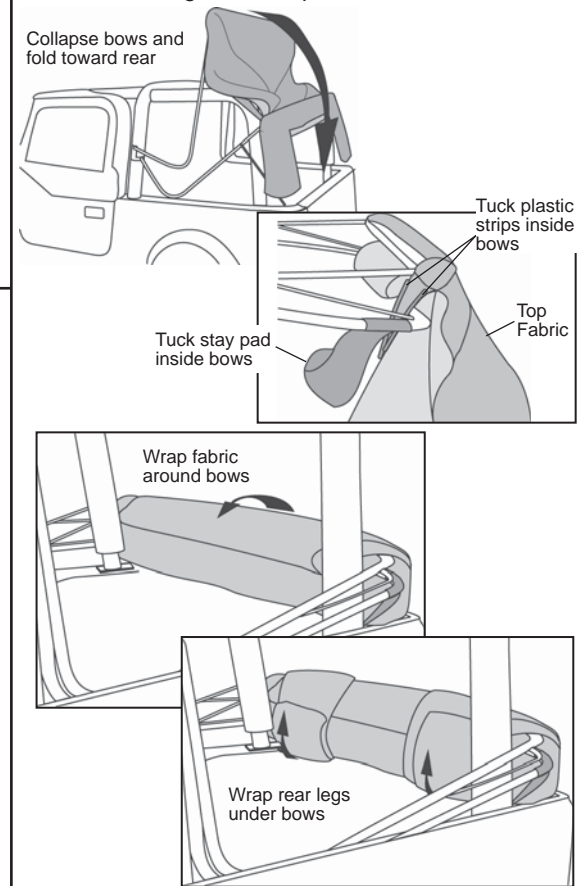
36 To Fold the Top Down Remove Quarter Windows and Rear Window

Remove the Quarter Windows and the Rear Window. To remove the Quarter Windows, unzip the rear and top zippers. Release the plastic strip from the retainer. Release the Hook and Loop Fasteners from around the Vertical Retainer.

To roll up the Rear Window, remove the Tailgate Bar and open the zippers on each side of the window to the top. Start at the bottom and roll the window to the inside. Avoid wrinkles in the fabric and window. Secure it in place with the elastic garters inside of the top.

37 To Fold the Top Down Collapse Top

Release the front of the top from the windshield. Raise the front of the deck and collapse the rear bows, tucking the two plastic strips above the door openings and the stay pad on the rear bow inside of the bows. Wrap the fabric around the bows, then tuck the rear legs of the top under the bows.



Supertop NX Installation Instructions

Care and Maintenance of your Bestop Product

Your Bestop product is made of the finest materials available. To keep it looking new and for the maximum possible wear, it will need periodic cleaning and maintenance.

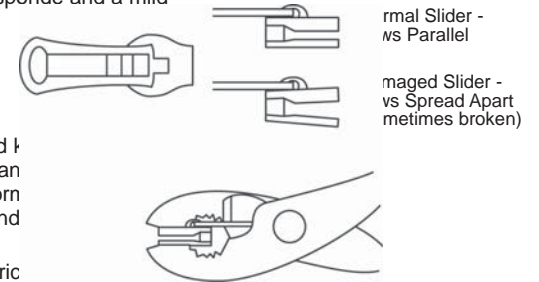
Fabric: The fabric should be washed often using soap, warm water and a soft bristle brush. Rinse with clear water to remove all traces of soap. Bestop recommends using Bestop Cleaner (part no. 11201-00) and Bestop Protectant (part no. 11202-00). Bestop Cleaner and Bestop protectant are specially formulated to provide a total cleaning and protection system. Bestop Cleaner safely removes the toughest stains, will not harm vehicle finishes, is biodegradable and environmentally friendly. Bestop Protectant protects against UV-fading, cracking and hardening, and repels dust, grease, dirt and mildew.

Windows: Keep windows clean to avoid scratching. DO NOT use a brush on the windows! Wash with a water-soaked cloth or sponge and a mild dishwashing detergent. Bestop recommends Bestop Vinyl Window Cleaner (part no. 11203-00), which safely cleans and protects vinyl windows and helps prevent UV damage. NEVER WIPE THE WINDOWS WHEN THEY ARE DRY. Be careful when cleaning snow or frost from the vinyl windows since they are easily scratched and may crack at low temperatures. DO NOT roll the sides or rear window in cold weather. The windows become stiff and will crack. Cracks caused by misuse in cold temperatures are not covered under warranty.

Zippers: Keeping zippers cleaned and lubricated with Bestop's Zipper Cleaner (part no. 11206-00) will help prevent damage and keep zippers in smooth working condition. If a zipper opens behind the slider, the slider may have been spread apart. This problem can be repaired by using an ordinary pair of pliers to bring the sides back into parallel. Return slider to the end of the zipper in the normal position. Squeeze lightly at first and test the zipper. If the zipper continues to remain open squeeze more firmly with the pliers and zipper again. Repeat this procedure until the zipper operates correctly.

Water: Seeping through at the seams may be stopped by applying 3-M Scotchgard® on the inside of the seams. Rips in the fabric repaired with Bondex® iron on patches. Iron the patches to the inside of the top, carefully following the Bondex® instructions.

Snaps: Keep snaps cleaned and lubricated with silicone to help prevent snaps from sticking to the studs. If a snap does become stuck to a stud, use a screwdriver and GENTLY pry apart to prevent permanent damage to the snap or the top fabric.



LIMITED WARRANTY

We warrant our product to be free from defects in material and workmanship, for the terms specified below, provided there has been normal use and proper maintenance. This warranty applies to the original purchaser only. All remedies under this warranty are limited to the repair or replacement of any item or items found by the factory to be defective within the time period specified. If you have a warranty claim, first you must call our factory at the number below for instructions. You must retain proof of purchase and submit a copy with any items returned for warranty work. Upon completion of warranty work, if any, we will return the repaired or replaced item or items to you freight prepaid. Damage to our products caused by accidents, fire, vandalism, negligence, misinstallation, misuse, Acts of God, or by defective parts not manufactured by us, is not covered under this warranty.

THE WARRANTY TIME PERIOD IS AS FOLLOWS FOR REPLACE-A-TOP™, SAILCLOTH REPLACE-A-TOP™, SUPERTOP®, SUPERTOP® REPLACEMENT SKINS, SUNRIDER®, AND TIGERTOP®: TWO YEARS FROM DATE OF PURCHASE.

THE WARRANTY TIME PERIOD IS AS FOLLOWS FOR ALL OTHER "SOFT GOODS" MANUFACTURED BY OUR COMPANY (USING PRIMARILY VINYL, PLASTICS, AND/OR FOAM): ONE YEAR FROM DATE OF PURCHASE.

THE WARRANTY TIME PERIOD IS AS FOLLOWS FOR ALL OTHER "HARD GOODS" MANUFACTURED BY OUR COMPANY (USING PRIMARILY METALS, PLASTICS, AND/OR FIBERGLASS): ONE YEAR FROM DATE OF PURCHASE.

ANY IMPLIED WARRANTIES OF MERCHANTABILITY AND/OR FITNESS FOR A PARTICULAR PURPOSE CREATED HEREBY ARE LIMITED IN DURATION TO THE SAME DURATION AND SCOPE AS THE EXPRESS WRITTEN WARRANTY. OUR COMPANY SHALL NOT BE LIABLE FOR ANY INCIDENTAL OR CONSEQUENTIAL DAMAGE.

Some states do not allow limitations on how long an implied warranty lasts, or the exclusion or limitation of incidental or consequential damages, so the above limitations or exclusions may not apply to you. This warranty gives you specific legal rights, and you may also have other rights which vary from state to state.

