



Installation Instructions

Jeep JK Lifestyle Front Bumper

Product Number: B1850-B1851
Application: '07-Current Jeep Wrangler JK

SAFETY

Your safety and the safety of others is very important.

- In order to help you make informed decisions about safety, we have provided installation instructions and other information.
- These instructions alert you to potential hazards that could hurt you or others.
- Please do a job safety analysis (JSA) before each task to identify potential hazards for your situation and remove/protect against them.
- You must use your own good judgment, and take your time.

Read and understand all safety precautions and instructions before installing this product.

THIS PRODUCT IS FOR OFFROAD USE ONLY. ALL LIABILITY FOR INSTALLATION AND USE RESTS WITH THE OWNER.

CARELESS INSTALLATION AND OPERATION CAN RESULT IN SERIOUS INJURY OR EQUIPMENT DAMAGE.

Injury hazard

Failure to observe these instructions could lead to severe injury or death.

- Always** remove jewelry and wear eye protection.
- Always** use extreme caution when jacking up a vehicle for work. Set emergency brake and use tire blocks. Locate and use the vehicle manufacturers designated lifting points. Use jack stands.
- Always** use appropriate and adequate care in lifting components into place.
- Always** insure components will remain secure during installation and operation.
- Always** wear safety glasses when installing this kit. A drilling operation will cause flying metal chips. Flying chips can cause serious eye injury.
- Always** use extreme caution when drilling on a vehicle. Thoroughly inspect the area to be drilled (on both sides of material) prior to drilling, and relocate any objects that may be damaged.
- Always** use extreme caution when cutting and trimming during fitting.
- Always** tighten all nuts and bolts securely per installation instructions.
- Always** route electrical cables carefully. Avoid moving parts, components that become hot and rough or sharp edges.
- Always** insulate and protect all exposed wiring and electrical terminals.
- Always** perform regular inspections and maintenance on mounts and related hardware.



Installation Instructions Jeep JK Lifestyle Front Bumper

Product Number: B1850-B1851

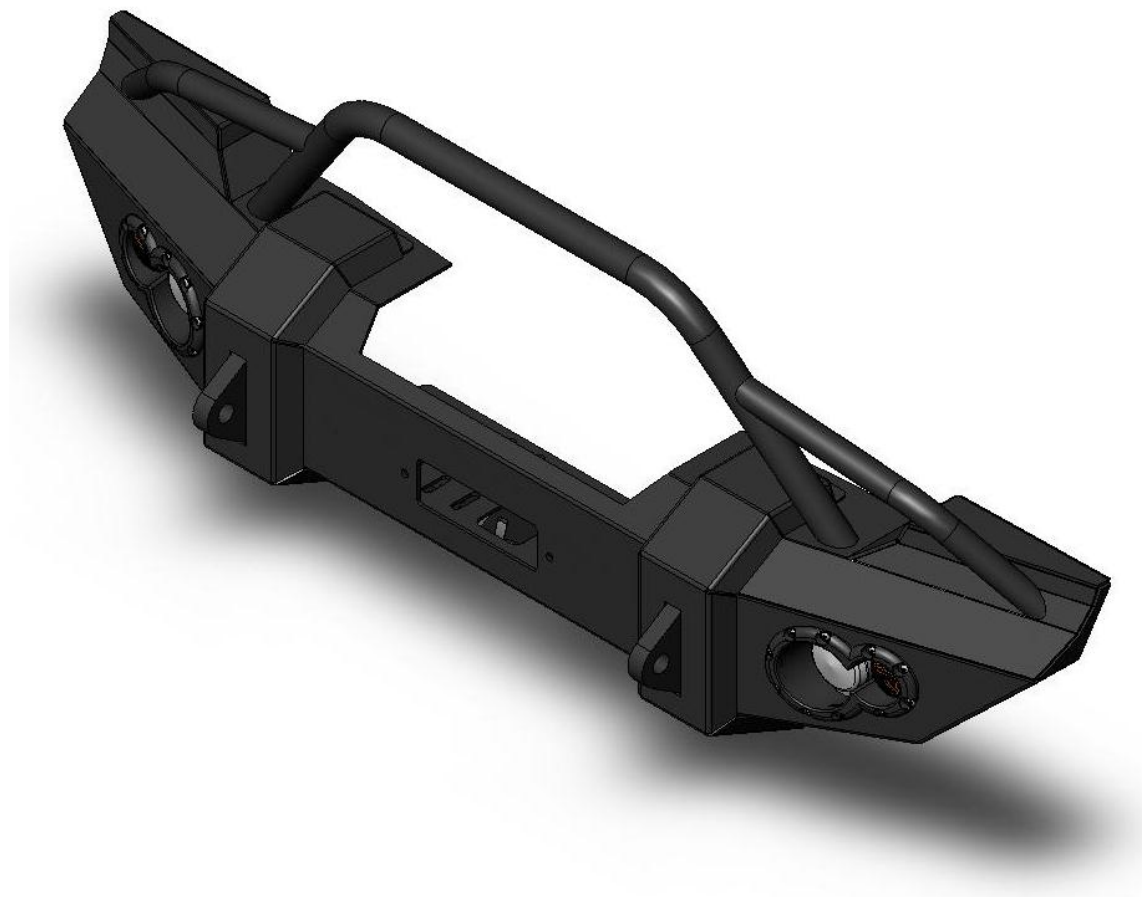
Application: '07-Current Jeep Wrangler JK

I. Overview

Congratulations on your new purchase of the industries' best and most stylish Jeep JK Front Winch Bumper! This bumper has been **engineered** for strength while keeping the weight down.

Your bumper was designed, CNC laser cut, fabricated, and powder coated... all in the U.S.A.

Enjoy the fit and finish of a quality JK Front Winch Bumper from Fab Fours Inc!



B1850 (C)



Installation Instructions Jeep JK Lifestyle Front Bumper

Product Number: B1850-B1851

Application: '07-Current Jeep Wrangler JK

II. Tools Required

- Flat Head Screwdriver
- Phillips Screwdriver
- Socket Wrench With Extension
- 18mm Socket
- 19mm Socket
- 7/16" Open End Wrench
- 5/32" Allen Wrench

III. Vehicle Preparation

- A) Remove (4) dart clips from underside of OEM bumper/skid plate.
- B) Remove (2) dart clips from back side of plastic skid plate.
- C) Disconnect fog light harness from back of each fog lamp (if applicable).
- D) Remove (8) nuts from bumper studs using 18mm socket.



Figure 1: Back side of bumper

- E) Slide bumper forward slightly so that the studs still pass through frame but the bumper rocks forward. Remove fog harness retainer clips from bumper.



Installation Instructions Jeep JK Lifestyle Front Bumper

Product Number: B1850-B1851

Application: '07-Current Jeep Wrangler JK

- ❑ F) Remove OEM bumper and set aside.



Figure 2

- ❑ G) Remove two dart clips from top bumper trim plastic using Phillips screwdriver. Set trim aside as it will not be re-used.



Figure 3



Installation Instructions Jeep JK Lifestyle Front Bumper

Product Number: B1850-B1851

Application: '07-Current Jeep Wrangler JK

IV. Bumper Preparation

1. Install turn signal into light pockets using self-tapping screws as shown below.

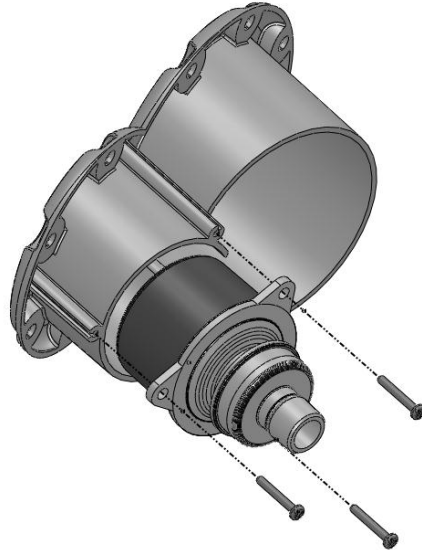


Figure 4

2. Install fog lamp into brackets as shown using #8-32 bolts and nuts.

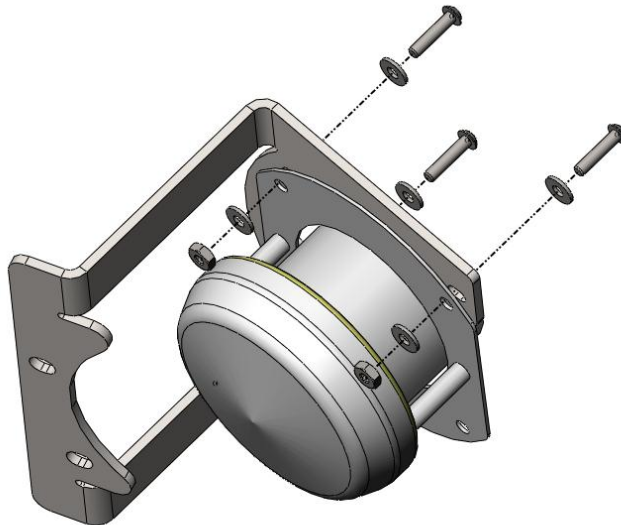


Figure 5



Installation Instructions Jeep JK Lifestyle Front Bumper

Product Number: B1850-B1851

Application: '07-Current Jeep Wrangler JK

3. Install the light inserts with turn indicators into the cutout in the bumper. Use the 1/4" stainless steel button head, 1/4" washers and hex nuts to fasten the insert through the holes shown below:

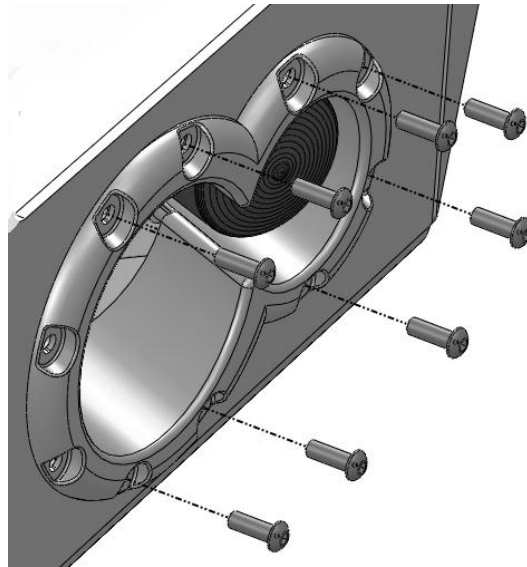


Figure 6

4. Install the fog light and bracket into the bumper using the remaining two holes available in the light insert.

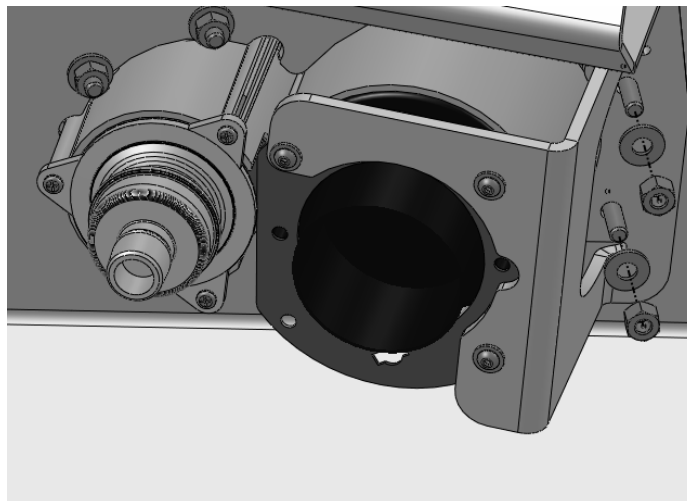


Figure 7



Installation Instructions Jeep JK Lifestyle Front Bumper

Product Number: B1850-B1851

Application: '07-Current Jeep Wrangler JK

5. Attach harnesses to fog lamps – see wiring section for details.
6. Install trim caps as shown using 3/8" stainless steel hardware.

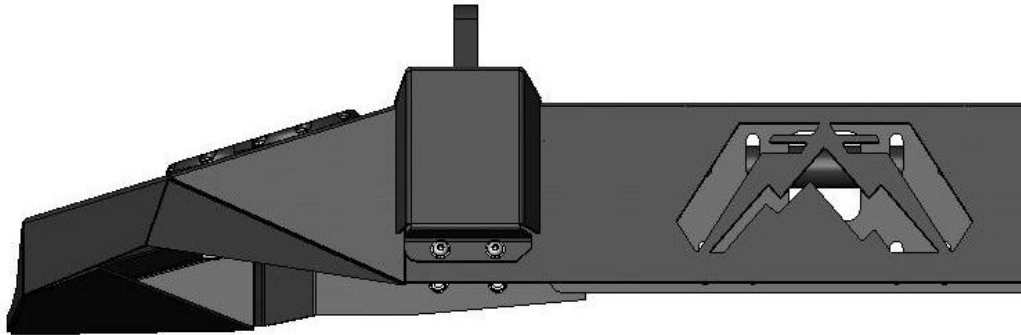


Figure 8

V. Bumper Installation

- A) Lift bumper and align mounting studs with holes in frame face plate.
- B) Secure loosely with (8 each) 10mm flat washer, lock washer and nut. Do not tighten fully.
- C) Because of the mounting system, little adjustment is necessary. Verify proper alignment and tighten all fasteners.
- D) If installing winch, do so now. Follow instructions provided with winch. Remember to install fairlead onto front of bumper.



Installation Instructions Jeep JK Lifestyle Front Bumper

Product Number: B1850-B1851

Application: '07-Current Jeep Wrangler JK

VI. Lights and wiring installation

Turn Indicator

- ❑ A) On each side, disconnect light connector and tap into the three turn indicator wires using supplied tap connectors (reference the wiring diagram).



Figure 9

- ❑ B) Connect supplied turn indicator wiring harnesses to tap connectors following wiring diagram; repeat for other side.
- ❑ C) After turn indicator harnesses are attached to turn indicators, fill the indicator plug with RTV or other silicone sealant to ensure moisture does not enter plug.



Installation Instructions

Jeep JK Lifestyle Front Bumper

Product Number: B1850-B1851

Application: '07-Current Jeep Wrangler JK

Headlight

- ❑ **D1) Optional:** Install Hella® light harness per installation instructions provided.
- ❑ **D2)** Tap into OEM headlight wires (low beam) at the headlight connector following wiring diagram - use two supplied tap connectors. Repeat for other side.
- ❑ **E)** Connect supplied fog lamp wiring harness to tap connectors following wiring diagram. Repeat for other side.



Installation Instructions Jeep JK Lifestyle Front Bumper

Product Number: B1850-B1851

Application: '07-Current Jeep Wrangler JK

VII. Wiring Diagram

Note: Colors May Vary

Passenger Side Turn Indicator at Headlight

OEM (Running) – Minor – White/Tan → White Fab Fours

OEM (Turn) – Major - White/Tan → Red Fab Fours

OEM (Ground) Blk → Green Fab Fours

Driver Side Turn Indicator at Headlight

OEM (Running) – Minor – White/Light Green → White Fab Fours

OEM (Turn) – Major – White/Light Green → Red Fab Fours

OEM (Ground) White/Blk → Green Fab Fours

Driver Fog Lamp

OEM (Power) Red/Yellow → Red Fab Fours

OEM (Ground) Blue → Green Fab Fours

Passenger Fog Lamp

OEM (Power) Blue/Red → Red Fab Fours

OEM (Ground) Red/Wht → Green Fab Fours

Note: Tap into Fab Fours driver side fog lamp harness to supply passenger side

Hella Turn Indicator Connectors

