



Installation Instructions

Jeep JL Front Bumper

Product Number: B4652

Application: '18+ JEEP JL

! IMPORTANT SAFETY GUIDE

- Your safety and the safety of others is very important.
- In order to help you make informed decisions about safety, we have provided the following warnings, safety precautions, installation instructions, and other important information to alert you to potential hazards that could hurt you or others.
- Please do a job safety analysis before each task to identify potential hazards for your situation and remove/protect against them.
- Use own good judgment and take your time.
- Check packaged materials immediately upon arrival to ensure that all listed parts are included and undamaged.

Read and understand all warnings, safety precautions, and instructions before installing this product.

SENSORS FIELD OF VIEW WILL BE ALTERED WITH USE OF THE REPLACEMENT BUMPER.

WARNINGS

- **FAILURE TO OBSERVE THE FOLLOWING WARNINGS AND INSTRUCTIONS PROVIDED IN THIS MANUAL COULD LEAD TO SEVERE INJURY AND/OR DEATH.**
- **FOR PROFESSIONAL INSTALLATION ONLY. CARELESS INSTALLATION AND/OR OPERATION CAN RESULT IN SERIOUS INJURY, DEATH, AND/OR EQUIPMENT DAMAGE. ALL LIABILITY FOR INSTALLATION AND USE RESTS WITH THE USER OR CONSUMER.**
- **FAB FOURS, INC. ONLY APPROVES INSTALLING THIS PRODUCT ACCORDING TO THESE WRITTEN INSTRUCTIONS WITH THE HARDWARE PROVIDED. FAILURE TO INSTALL ACCORDING TO THESE INSTRUCTIONS WILL INVALIDATE THE WARRANTY. THIS INCLUDES, BUT IS NOT LIMITED TO, USING ALTERNATIVE INSTALLATION METHODS, HARDWARE, OR MATERIALS.**
- **THIS PRODUCT IS FOR OFFROAD USE ONLY.**



B4652



Installation Instructions

Jeep JL Front Bumper

Product Number: B4652

Application: '18+ JEEP JL

SAFETY PRECAUTIONS

- Always remove jewelry and wear eye protection.
- Always use extreme caution when jacking up a vehicle for work. Set emergency brake and use tire blocks. Locate and use the vehicle manufacturers designated lifting points. Use jack stands.
- Always use appropriate and adequate care in lifting components into place.
- Always ensure components will remain secure during installation and operation.
- Always wear safety glasses when installing this kit. A drilling operation will cause flying metal chips. Flying chips can cause serious eye injury.
- Always use extreme caution when drilling a vehicle. Always disconnect power before welding. Thoroughly inspect the area to be drilled (on both sides of material when possible) prior to drilling and relocate any objects that may be damaged.
- Always use extreme caution when welding a vehicle. Thoroughly inspect the area to be welded (on both sides of material when possible) prior to welding and relocate any objects that may be a fire hazard. When welding in a cab, make sure the interior surfaces are covered (*e.g.*, welding blanket) and a fire extinguisher is at hand.
- Always use extreme caution when cutting and trimming during fitting.
- Always tighten all nuts and bolts securely per installation instructions.
- Always route electrical cables carefully. Avoid moving parts, components that become hot, and rough or sharp edges.
- Always insulate and protect all exposed wiring and electrical terminals.
- Perform regular inspections and maintenance on mounts and hardware.
- Tire may rub at max turn or articulation.



B4652



Installation Instructions

Jeep JL Front Bumper

Product Number: B4652

Application: '18+ JEEP JL

I. Overview

Congratulations on your new purchase of the industries' best Jeep JL front bumper! This bumper has been **engineered** for strength while reducing weight.

Your bumper was designed, CNC laser cut, fabricated, and powder coated... all in the U.S.A.

Enjoy the fit and finish of a quality JL front bumper from Fab Fours Inc!



B4652



Installation Instructions

Jeep JL Front Bumper

Product Number: B4652

Application: '18+ JEEP JL

II. Tools Required

- Socket Wrench with Extension
- 18mm & 19mm Sockets
- 7/16" Open End Wrench
- 5/32" Allen Wrench

III. Vehicle Preparation

1. Remove the 2 push pin fasteners attaching the closeout panel to the frame.



2. Remove 2 bolts attaching the plastic skid plate to lower frame.
3. Disconnect fog light harness located on passenger side frame rail (if equipped).



B4652



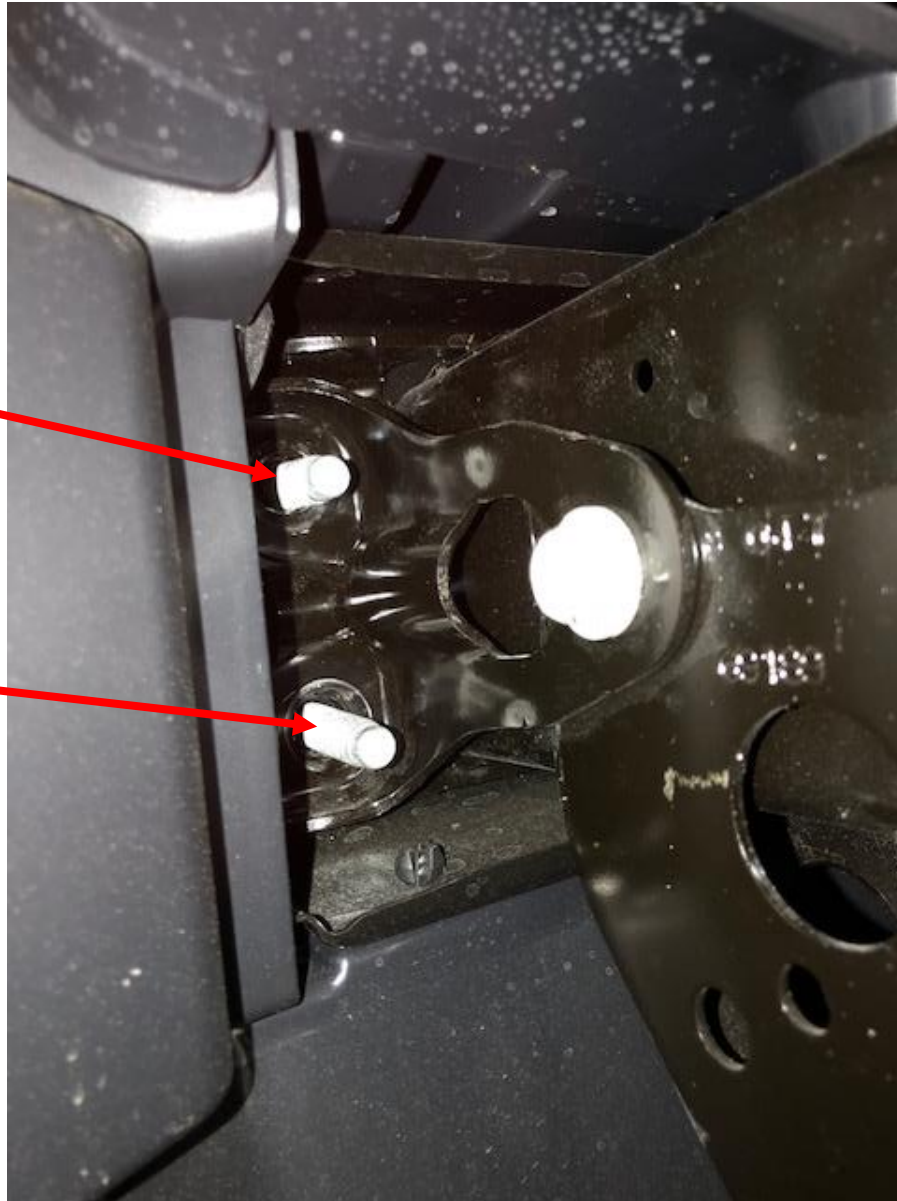
Installation Instructions

Jeep JL Front Bumper

Product Number: B4652

Application: '18+ JEEP JL

4. Remove (8) nuts from studs using 18mm socket.



5. Remove OEM bumper and set aside.



B4652



Installation Instructions

Jeep JL Front Bumper

Product Number: B4652

Application: '18+ JEEP JL

IV. Bumper Preparation

1. Remove the bumper from the shipping carton. Lay all items out on a non-scratch surface to prevent damage to the powder coating.
2. If no winch is to be installed, use the 5/16" fasteners to install the winch cover plate. If light bar or light pods are to be used; drill the respective holes in the cover plate using the hole pattern on the underside before install.



B4652



Installation Instructions

Jeep JL Front Bumper

Product Number: B4652

Application: '18+ JEEP JL

V. Lights and Wiring Installation

1. Tap into the turn indicator wiring with the supplied tap connectors.
2. The turn indicator wiring harness may be installed at this time. To do so, remove the wiring harness and bulb socket from the lens housing. See below for wire color guide.

WIRE COLORS:

	<u>WIRE</u>	<u>OEM COLOR</u>	<u>FAB FOURS COLOR</u>
TURN SIGNALS	Running		—————> Brown
	Turn	BL/WH(DS) – PL/BL(PS)	—————> Red
	Ground	Black	—————> White
FOG LIGHT	Power	Purple	—————> Black
	Ground	Black	—————> White

3. Tuck the Fab Fours provided wiring and bulb out of the way until the installation of the Fab Fours bumper is complete.
4. Tap into OEM fog light harnesses on each side of the vehicle using two supplied tap connectors.
5. Connect the supplied fog lamp wiring harnesses to tap connectors following wire color guide above.
6. Tuck OEM fog light harness and Fab Fours supplied wiring out of the way until completion of the bumper installation.
7. Install turn indicators into the plastic light insert using three self- tapping screws as shown below:





Installation Instructions

Jeep JL Front Bumper

Product Number: B4652

Application: '18+ JEEP JL

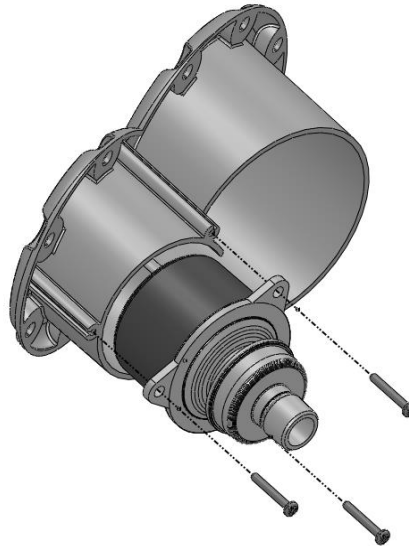


Figure 1 – Turn Signal Installation

8. Install the light inserts with turn indicators into the cutout in the bumper. Use the $\frac{3}{4}$ " length $\frac{1}{4}$ " stainless steel button head, $\frac{1}{4}$ " washers and hex nuts to fasten the insert through the holes shown below. Do not use the two holes closest to the center of the bumper at this time. Use washers only on the nut side (inside the bumper). Use needle nose pliers to tighten nuts with limited access.

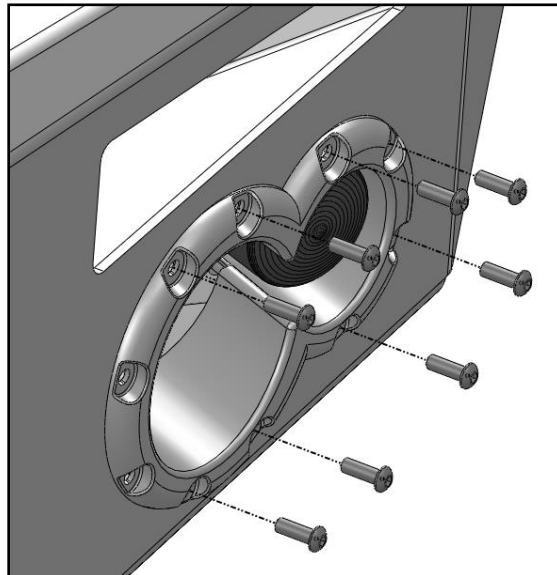


Figure 2 – Light Insert Installation



B4652



Installation Instructions

Jeep JL Front Bumper

Product Number: B4652

Application: '18+ JEEP JL

9. Install the Fab Fours fog lights onto the mounting brackets as shown below using the #8 button head screws, washers, and nylock hex nuts.

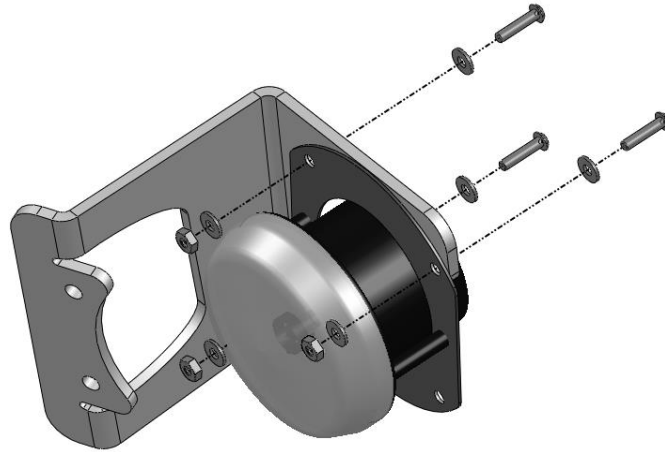


Figure 3 - Fog Light to Bracket Installation

10. Install the fog light and bracket into the bumper using the remaining two holes available in the light insert. Use the 1-1/2" length 1/4" stainless steel button heads with 1/4" washers and nylock nuts:

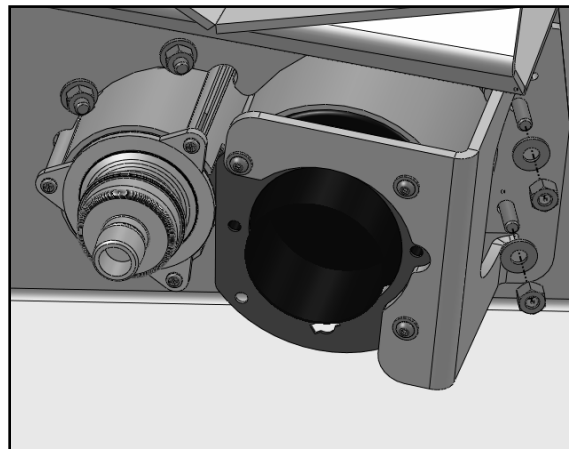


Figure 4 - Fog Light Installation

11. Repeat steps 7-10 for other side.
12. Connect wiring harnesses to lights as shown in wiring diagram.

Verify proper operation of lights. **Note:** Turn indicators should be dim during "running" condition and flash bright for turn.





Installation Instructions

Jeep JL Front Bumper

Product Number: B4652

Application: '18+ JEEP JL

VI. Bumper Installation

If installing winch, measure from the bolt hole to the farthest point on the winch (see below). If your winch is larger than 6.75" (for reference WARN Zeon series is 7.14"), you have the following 2 options:

Option A

Insert the winch into the bumper shell but do not bolt down. Then when installing the winch it will take 3 people to install one on each side of the bumper and one person manipulating the winch by turning it in while the bumper is being slid in; then bolt down the winch after the bumper is tightened down.

OR

Option B

Trim the frame flange by how much your winch is over 6.75" to allow the winch to slide between the frame flanges.

1. If your winch is smaller than 6.75" then just follow the instructions provided with winch.
2. Lift Bumper and align mounting studs with holes in frame face plate.
3. Secure loosely with supplied 7/16" flat washers, lock washer and nut. Do not tighten fully.
4. Because of the mounting system, little adjustment is necessary. Verify proper alignment and tighten all fasteners.



B4652



Installation Instructions

Jeep JL Front Bumper

Product Number: B4652

Application: '18+ JEEP JL

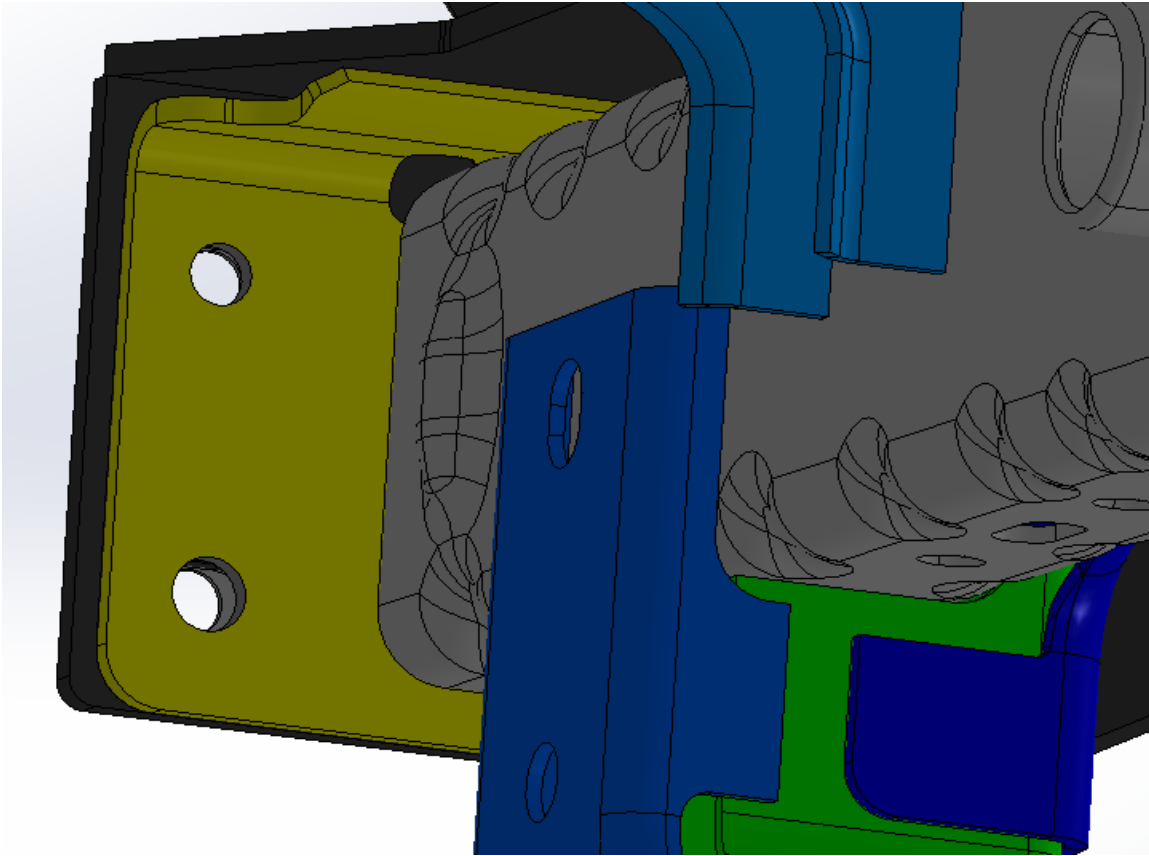


Figure 9 (inside view of frame)

VII. Maintenance/Care

- Periodically check and tighten all fasteners.
- Stripped, fractured, or bent bolts or nuts need to be replaced.



B4652