



Installation Instructions

2011 Chevy and GMC HD Rear Bumper

Product Number: E2151
Application: '11+ Chevy and GMC HD Trucks

SAFETY

Your safety and the safety of others is very important.

- In order to help you make informed decisions about safety, we have provided installation instructions and other information.
- These instructions alert you to potential hazards that could hurt you or others.
- Please do a job safety analysis (JSA) before each task to identify potential hazards for your situation and remove/protect against them.
- You must use your own good judgment, and take your time.

Read and understand all safety precautions and instructions before installing this product.

THIS PRODUCT IS FOR OFFROAD USE ONLY. ALL LIABILITY FOR INSTALLATION AND USE RESTS WITH THE OWNER.

CARELESS INSTALLATION AND OPERATION CAN RESULT IN SERIOUS INJURY OR EQUIPMENT DAMAGE.

SENSORS FIELD OF VIEW WILL BE ALTERED WITH USE OF THE REPLACEMENT BUMPER.

Injury hazard

Failure to observe these instructions could lead to severe injury or death.

- Always** remove jewelry and wear eye protection.
- Always** use extreme caution when jacking up a vehicle for work. Set emergency brake and use tire blocks. Locate and use the vehicle manufacturers designated lifting points. Use jack stands.
- Always** use appropriate and adequate care in lifting components into place.
- Always** insure components will remain secure during installation and operation.
- Always** wear safety glasses when installing this kit. A drilling operation will cause flying metal chips. Flying chips can cause serious eye injury.
- Always** use extreme caution when drilling on a vehicle. Thoroughly inspect the area to be drilled (on both sides of material) prior to drilling, and relocate any objects that may be damaged.
- Always** use extreme caution when cutting and trimming during fitting.
- Always** tighten all nuts and bolts securely per installation instructions.
- Always** route electrical cables carefully. Avoid moving parts, components that become hot and rough or sharp edges.
- Always** insulate and protect all exposed wiring and electrical terminals.
- Always** perform regular inspections and maintenance on mounts and related hardware.



Installation Instructions

2011 Chevy and GMC HD Rear Bumper

Product Number: E2151
Application: '11+ Chevy and GMC HD Trucks

I. Overview

Congratulations on your new purchase of the industries' best and most stylish GM Rear Bumper! This bumper has been **engineered** for strength while keeping the weight down.

Your bumper was designed in 3-D from digitized data, CNC laser cut, fabricated, and powder coated... all in the U.S.A.

Enjoy the fit and finish of a quality GM Rear Bumper from Fab Fours Inc.



Installation Instructions

2011 Chevy and GMC HD Rear Bumper

Product Number: E2151
Application: '11+ Chevy and GMC HD Trucks

II. Tools Required

- Socket Wrench with Extension
- 3/4", 15mm, 18mm, & 22mm Sockets
- 3/4", 15mm, 18mm, & 22mm Box End Wrench
- Regular Screw Driver
- Floor Jack and wood block.

III. Vehicle Preparation

1. Remove license plate, and OEM license plate lights. Disconnect trailer receptacle. If equipped, unplug back-up sensors and seal OEM connector with tape; affix to frame.
2. Remove the two fasteners connecting the hitch to the stock bumper located on either side of the receiver with an 18mm socket.
3. Remove the fasteners connecting the bumper mounts to the frame. This requires removing one bolt from the bottom of the frame (22mm) and three bolts from the side of the frame (22mm and 15mm pictured below). Save hardware for reuse.





Installation Instructions

2011 Chevy and GMC HD Rear Bumper

Product Number: E2151
Application: '11+ Chevy and GMC HD Trucks

4. Remove OEM bumper by pulling it rearward away from the truck.
5. Remove OEM Spare Tire Access Cover and Trailer Plug from the OEM bumper. Set aside for reinstallation.

NOTE: If you have sensors, remove the harness and the clips from the stock bumper now.

Remove the sensors and sensor housings from the stock bumper. The sensors are removed by pressing outward on the tabs of the sensor housing (Figure 7, red arrows) and pulling away from the bumper. The sensor housing is then removed by pressing the four clips circled in red and pushing through the front of the bumper.

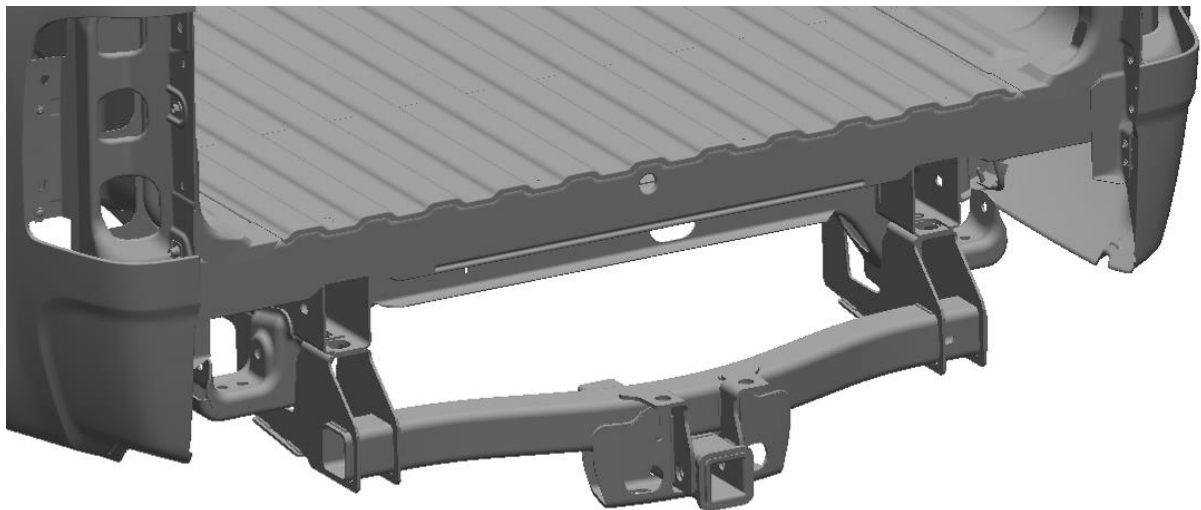


Figure 1 - Vehicle Ready for Installation



Installation Instructions

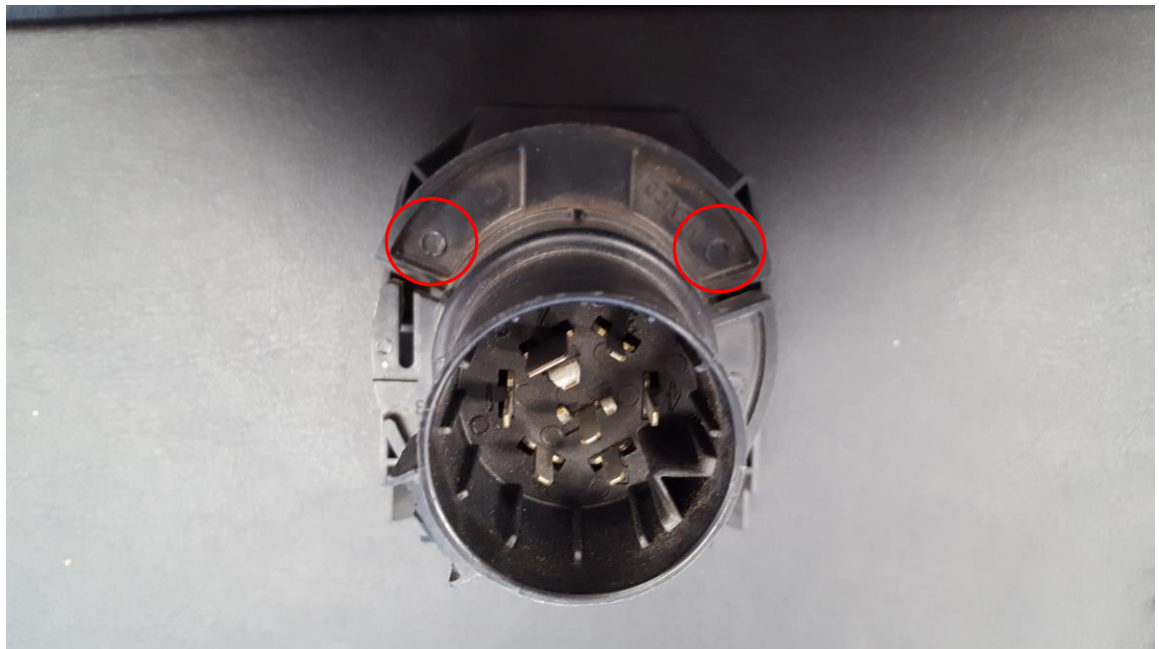
2011 Chevy and GMC HD Rear Bumper

Product Number: E2151
Application: '11+ Chevy and GMC HD Trucks

IV. Bumper Installation

NOTE: The following installation steps apply to the installation of the bumper to the rear of the vehicle. **PLEASE READ THE ENTIRE MANUAL BEFORE ATTEMPTING INSTALLATION!** Ignoring these steps will increase your probability of scratching the vehicle during product installation!

1. Remove the Rear Bumper from the shipping carton. Lay all items out on a blanket to prevent damage to the powder coating.
2. Install license plate inserts in provided locations.
3. Install OEM Spare Tire Access Cover in provided location.
4. Install the Factory Trailer plug receptacle into the cutout in provided location. You will need to drill two 3/16" holes in your trailer plug using the mold lines for reference.



5. Install the provided tag lights and wire them to your factory harness.



Installation Instructions

2011 Chevy and GMC HD Rear Bumper

Product Number: E2151
Application: '11+ Chevy and GMC HD Trucks

NOTE: If you have sensors, install them now. All sensors and housings retain their factory location (i.e. driver's side outer sensor and housing goes the driver's side outer location on the Fab Fours bumper).

6. Lift bumper and align with mounting holes. Be sure that the spare tire access guide tube is correctly aligned with the access cover. Use the stock M14 bolts to reattach your bumper to the truck.

7. Adjust the fore/aft position of the bumper to achieve good visual alignment. Fully tighten the 4 frame-to-bracket fasteners with a 22mm wrench.

8. Slowly lower the tailgate and check for clearance. Adjust alignment of bumper if necessary.

9. Reconnect the tag light and trailer plug receptacle to their respective harnesses.

10. Reinstall license plate.

NOTE: If sensors are equipped, test them before using the two stage epoxy to set them. We recommend taping them in place for testing purposes.



Installation Instructions
2011 Chevy and GMC HD Rear Bumper
Product Number: E2151
Application: '11+ Chevy and GMC HD Trucks

V. Maintenance/Care

- Periodically check and tighten all fasteners.
- Stripped, fractured, or bent bolts or nuts need to be replaced.