



PART NUMBER: EXF15CC-TX , EXF17CC-TX  
 PRODUCT: EPYX STEPS  
 APPLICATION: 15-19 FORD F150 CREW CAB  
 17-19 FORD F250/350 CREW

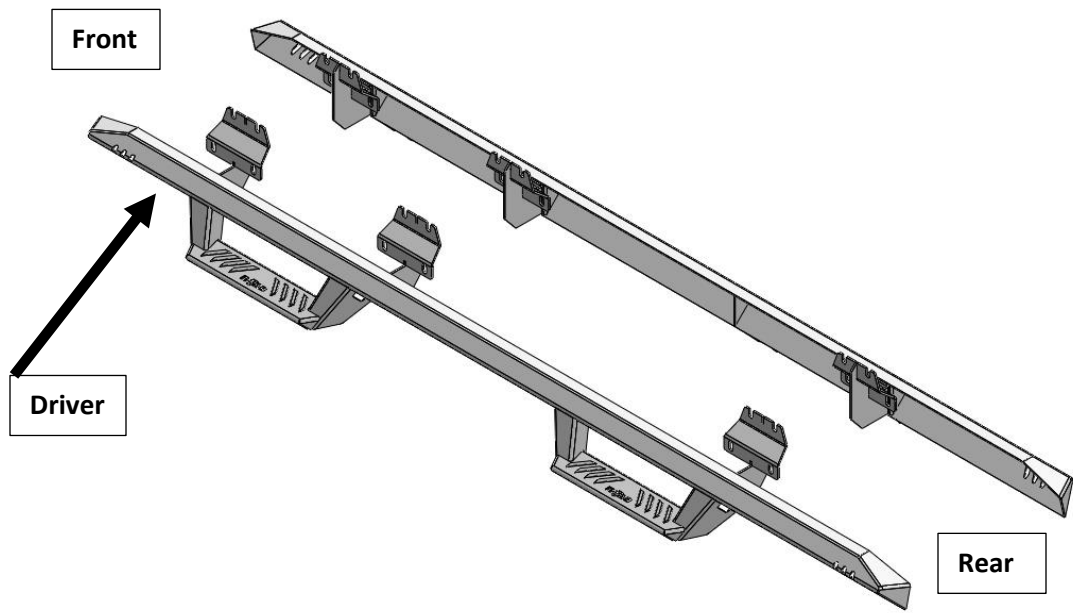


PARTS INCLUDED	QTY
Step Rail	2
Rocker Panel mounting Brackets	6

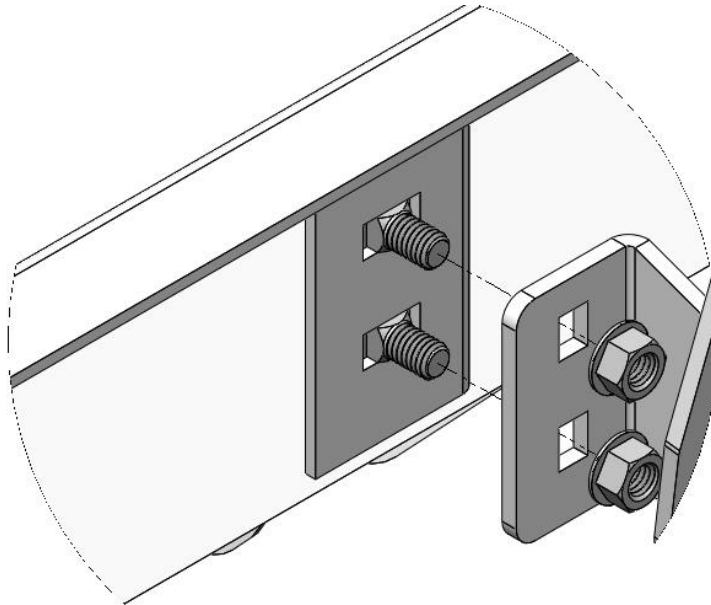
**DO NOT USE IMPACT TOOLS**

HARDWARE DESCRIPTION	QTY.
<b>HWKT-00032X</b>	
M8 – 1.25 HX FLANGED NUT	18
3/8" x 3/4" carriage bolts	12
3/8" Flanged nuts	12

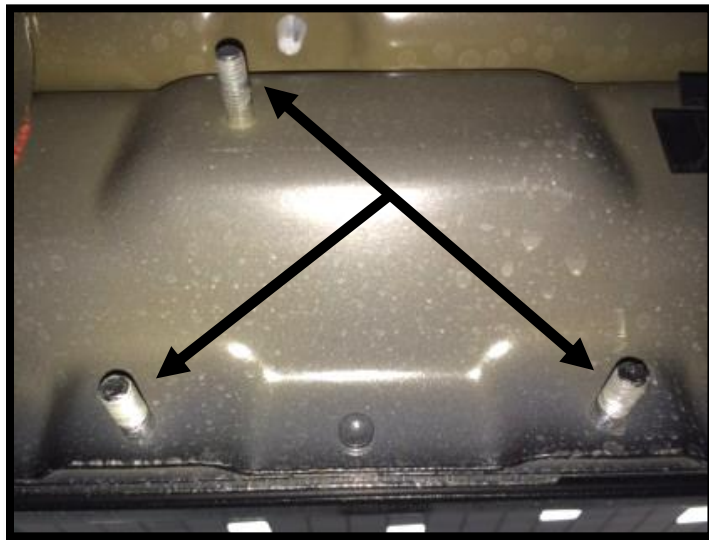
**Step 1.** Identify the Driver and Passenger side Step Rail.



**Step 2:** Install three rocker panel brackets to the attachments points located on the backside of the channel using the supplied 3/8" x 3/4" carriage bolts and 3/8" flanged nuts. Leave finger tight for now.



**Step 3:** Starting with the Driver Side. Remove all 8mm flange nuts from the 8mm factory threaded studs to remove the OE running boards.



**Step 4:** Next, carefully raise the step assembly into position and align the three brackets with the nine 8mm OE threaded studs.

**Step 5:** Using the supplied 8mm flanged nuts, fasten all nine mounting positions. Leave loose at this time.



**Step 6:** Next, adjust the step assembly up/down and front/back to level out the step rail with body panel and then tighten step to brackets at 30 ft. /lbs.



**Step 7:** Adjust the step rail to where you have approximately ¼" gap between the body of the vehicle and the top of the rail.



**Step 8:** After final adjustment, tighten all rocker panel brackets to 30 ft./lbs.

**Step 9:** Re-peat steps 3-8 for passenger side.