



Installation Instructions

Premium Front Sensor Bumper

Product Number: F3550, F3551, F3552
Application: 2015-2019 Chevy Suburban

SAFETY

Your safety and the safety of others is very important.

- In order to help you make informed decisions about safety, we have provided installation instructions and other information.
- These instructions alert you to potential hazards that could hurt you or others.
- Please do a job safety analysis (JSA) before each task to identify potential hazards for your situation and remove/protect against them.
- You must use your own good judgment, and take your time.

Read and understand all safety precautions and instructions before installing this product.

**THIS PRODUCT IS FOR OFFROAD USE ONLY. ALL LIABILITY FOR
INSTALLATION AND USE RESTS WITH THE OWNER.**

**CARELESS INSTALLATION AND OPERATION CAN RESULT IN SERIOUS INJURY
OR EQUIPMENT DAMAGE.**

**SENSORS FIELD OF VIEW WILL BE ALTERED WITH USE OF THE
REPLACEMENT BUMPER.**

Injury hazard

Failure to observe these instructions could lead to severe injury or death.

- Always** remove jewelry and wear eye protection.
- Always** use extreme caution when jacking up a vehicle for work. Set emergency brake and use tire blocks. Locate and use the vehicle manufacturers designated lifting points. Use jack stands.
- Always** use appropriate and adequate care in lifting components into place.
- Always** ensure components will remain secure during installation and operation.
- Always** wear safety glasses when installing this kit. A drilling operation will cause flying metal chips. Flying chips can cause serious eye injury.
- Always** use extreme caution when drilling on a vehicle. Thoroughly inspect the area to be drilled (on both sides of material) prior to drilling, and relocate any objects that may be damaged.
- Always** use extreme caution when cutting and trimming during fitting.
- Always** tighten all nuts and bolts securely per installation instructions.
- Always** route electrical cables carefully. Avoid moving parts, components that become hot and rough or sharp edges.
- Always** insulate and protect all exposed wiring and electrical terminals.
- Always** perform regular inspections and maintenance on mounts and related hardware.



Installation Instructions

Premium Front Sensor Bumper

Product Number: F3550, F3551, F3552
Application: 2015-2019 Chevy Suburban

I. Overview

Congratulations on your purchase of the industries' best and most stylish Chevy Suburban Winch Bumper! This bumper has been **engineered** for strength while keeping the weight down. It can accept the Warn 12K winch... and look cool doing it.

This product has also been **engineered** to allow alignment in three directions so you will end up with a very professional fit.

Your bumper was designed in 3-D, fabricated, and powder coated... all in the U.S.A.

Enjoy the fit and finish of a quality Chevy Suburban 1500 Winch Bumper from Fab Fours Inc!



Installation Instructions Premium Front Sensor Bumper

Product Number: F3550, F3551, F3552
Application: 2015-2019 Chevy Suburban

Vehicle Preparation

1. Open hood and remove the 12 plastic push clips securing the plastic radiator shroud. Using a small screwdriver or pick, carefully pull the centers of the clips up. Once centers are up, the clips are safe to remove. Once the clips are out, shroud will be able to be removed. See Figure 1.

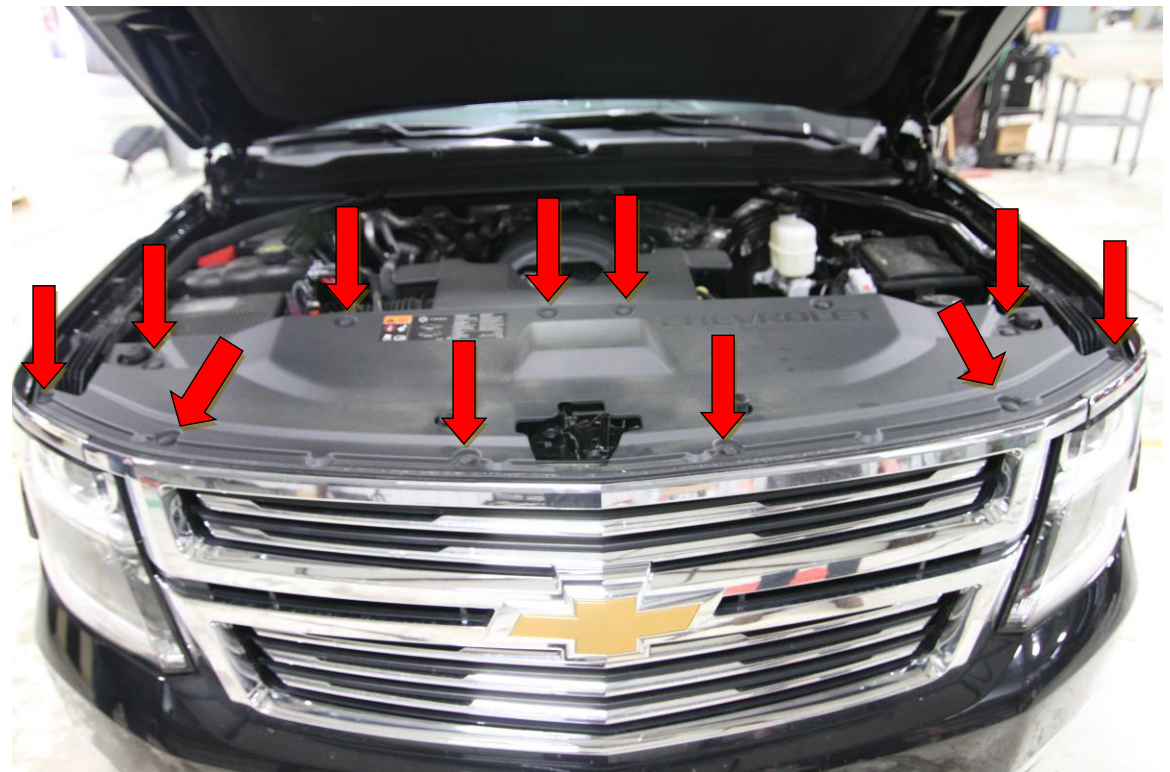


Figure 1

2. Using a 10mm socket and ratchet remove the six 10mm bolts securing the upper grille assembly to the radiator support. See Figure 2



Installation Instructions Premium Front Sensor Bumper

Product Number: F3550, F3551, F3552
Application: 2015-2019 Chevy Suburban

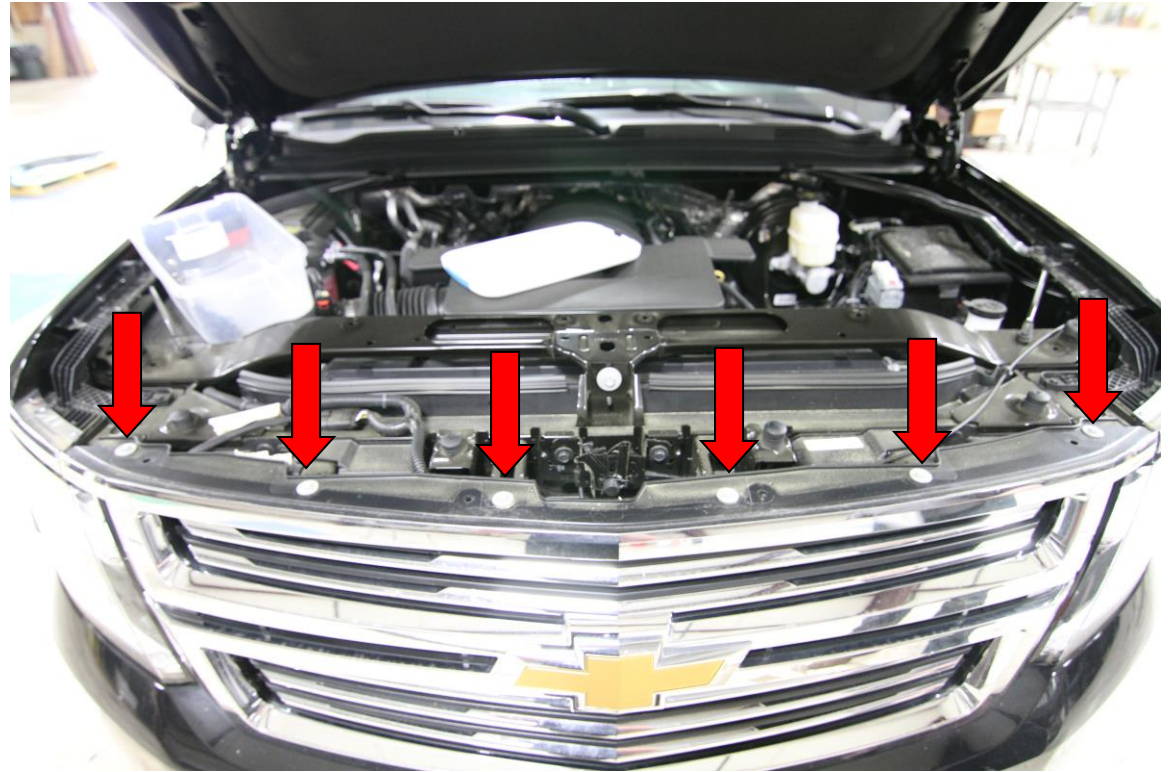


Figure 2

3. Next remove the six 7mm bolts securing the inner fender to the bumper cover. See Figure 3. You can turn the wheels while doing this to allow more room to work.



Installation Instructions Premium Front Sensor Bumper

Product Number: F3550, F3551, F3552
Application: 2015-2019 Chevy Suburban



Figure 3



Installation Instructions Premium Front Sensor Bumper

Product Number: F3550, F3551, F3552
Application: 2015-2019 Chevy Suburban

4. Next under the front bumper remove the eight 10mm bolts securing the bottom of the bumper to the chassis. Two in the center and three on each side. Finally remove the clips securing the wiring harness to the bumper.
5. Next gently pull back on the grille assembly allowing access to the rear of grille. Then remove the two 10mm bolts securing the grille to the chassis. Next disconnect the fog light wiring harness, finally using a flathead screwdriver depress the lower tabs securing bumper to chassis. See Figure 5.

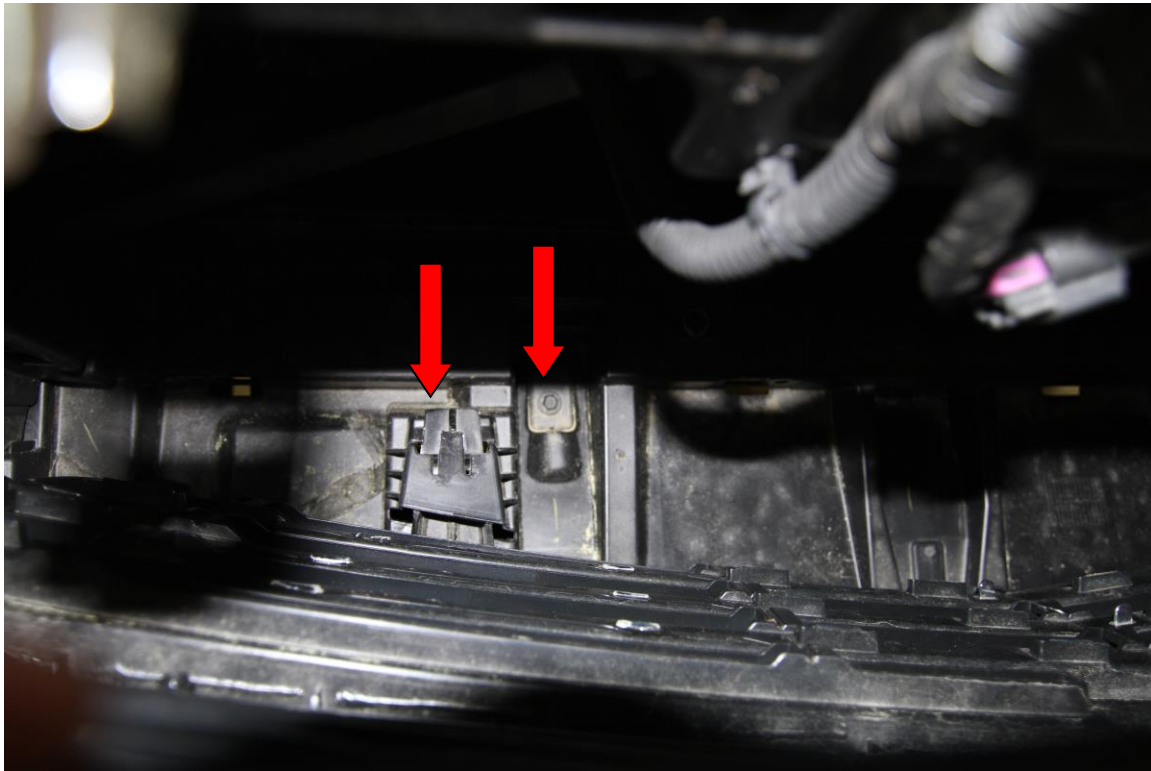


Figure 5

6. Next starting at rear of bumper, gently pull the bumper cover away from vehicle. This may require a good amount of force. Repeat on other side.



Installation Instructions Premium Front Sensor Bumper

Product Number: F3550, F3551, F3552
Application: 2015-2019 Chevy Suburban



7. Bumper is now safe to remove. Using two people pull bumper cover and grille off vehicle in one piece.
8. Lay bumper face down on a soft surface being careful not to scratch grille as it will be reused. Unclip the wiring harness from grille and bumper, you can also remove park assist sensors at this time. Remove the five 10mm bolts from each side of grille securing it to the bumper cover. (Set grille, wiring harness and sensors aside as they will be reused later.)
9. Next remove the crash bar by removing the six (three on each side of crash bar) 15mm bolts shown in Figure 7. Save 15mm bolts as they will be reused in the installation of Fab Fours bumper. If applicable you may also remove tow hooks at this time.



Installation Instructions Premium Front Sensor Bumper

Product Number: F3550, F3551, F3552
Application: 2015-2019 Chevy Suburban

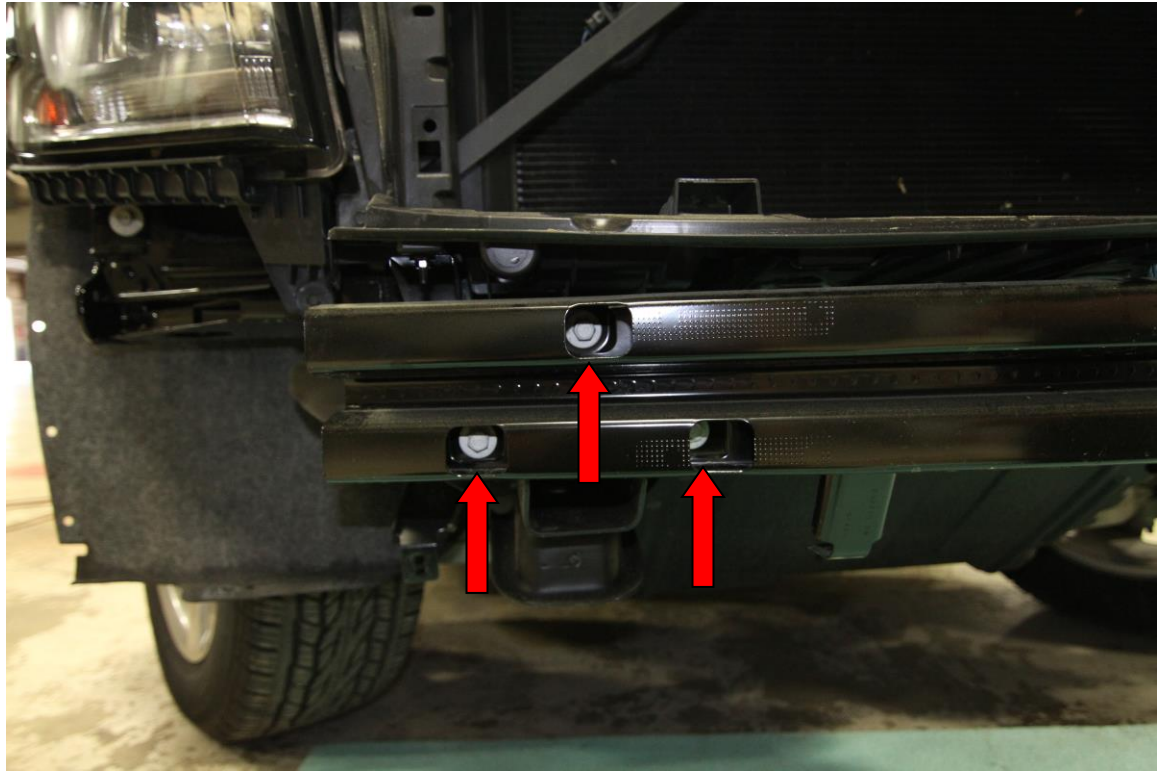


Figure 7

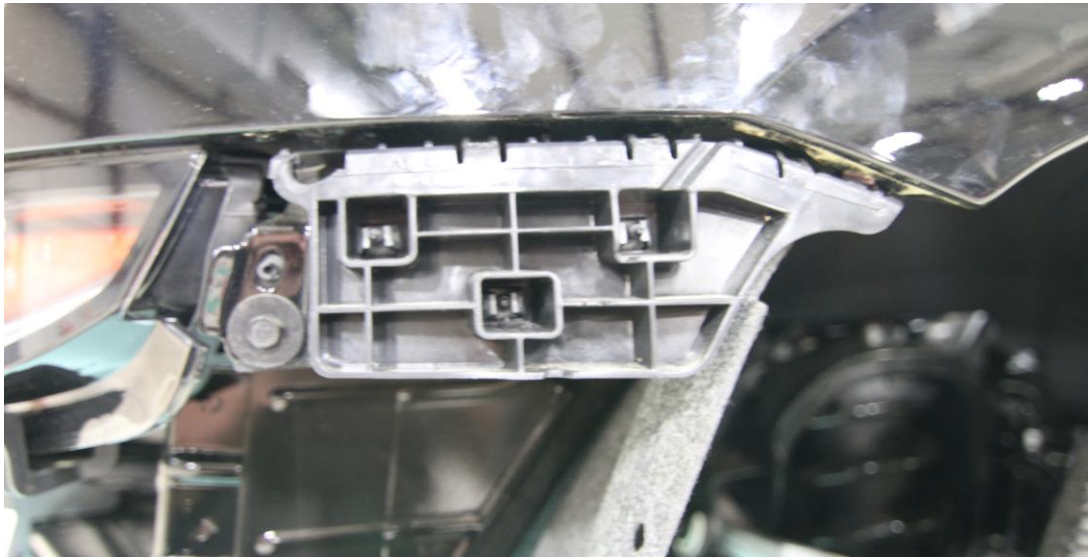


Figure 8

10. Next remove the black bumper cover mounts located on each fender (see Figure 8). Remove the three 10mm bolts shown in Figure 9.



Installation Instructions Premium Front Sensor Bumper

Product Number: F3550, F3551, F3552
Application: 2015-2019 Chevy Suburban

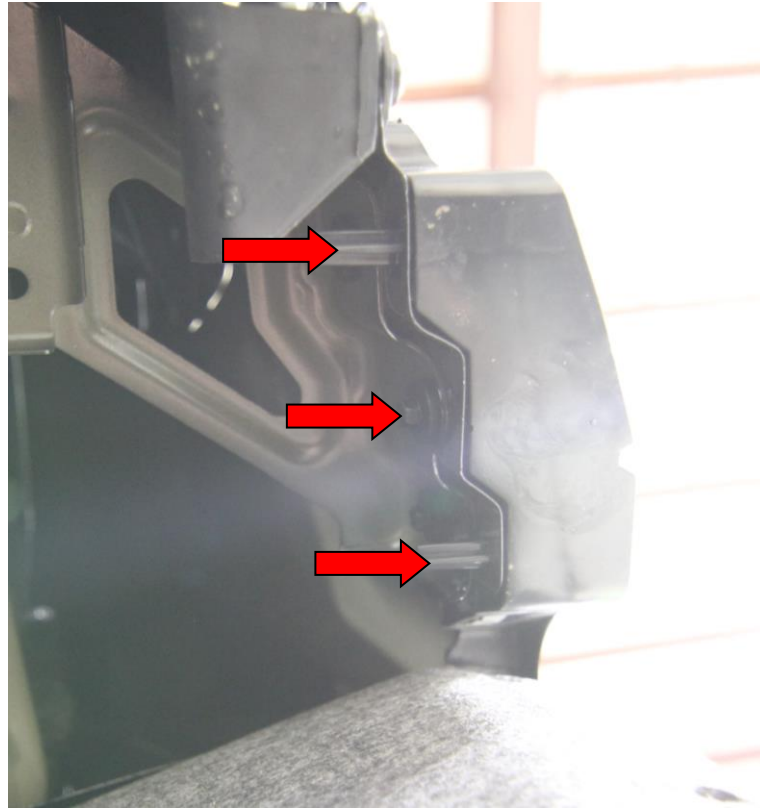


Figure 9



Figure 10



Installation Instructions Premium Front Sensor Bumper

Product Number: F3550, F3551, F3552
Application: 2015-2019 Chevy Suburban

11. Next remove the bumper mount located under each headlight shown in Figure 10. Do so by removing the three torx screws shown in Figure 11.



Figure 11



Installation Instructions

Premium Front Sensor Bumper

Product Number: F3550, F3551, F3552
Application: 2015-2019 Chevy Suburban

II. Lights and Wiring Installation

1. Tap into the turn indicator wiring with the supplied tap connectors.
2. The turn indicator wiring harness may be installed at this time. To do so, remove the wiring harness and bulb socket from the lens housing. See below for wire color guide.

FAB FOURS TURN INDICATOR WIRING

WHITE WIRE = GROUND
BROWN WIRE = RUNNING
RED WIRE = TURN

FAB FOURS FOG LIGHT WIRING

WHITE WIRE = GROUND
BLACK WIRE = POWER

Note: For customers that are going from LED to our LED lights you should not need to use the provided resistors

For customers that are going from Halogen to our LED lights then you may need to use the provided resistors on our turn indicators; please wire the resistors between your power and ground wire

*Use a multi-meter or test light to determine the correct location for each wire

3. Tuck the Fab Fours provided wiring and bulb out of the way until the installation of the Fab Fours bumper is complete.
4. Tap into OEM fog light harnesses on each side of the vehicle using two supplied tap connectors.
5. Connect the supplied fog lamp wiring harnesses to tap connectors following wire color guide above.



Installation Instructions Premium Front Sensor Bumper

Product Number: F3550, F3551, F3552
Application: 2015-2019 Chevy Suburban

6. Tuck OEM fog light harness and Fab Fours supplied wiring out of the way until completion of the bumper installation.
7. Install turn indicators into the plastic light insert using three self-tapping screws as shown below:

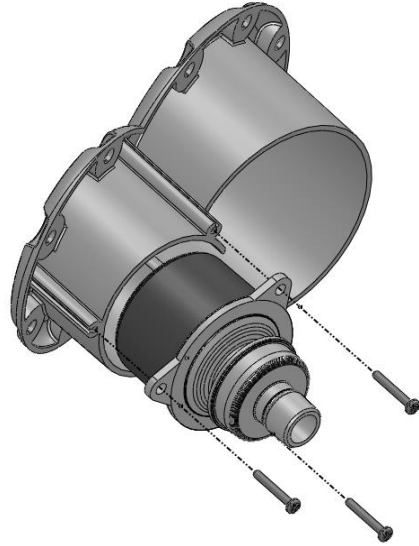


Figure 2 – Turn Signal Installation

8. Install the light inserts with turn indicators into the cutout in the bumper. Use the $\frac{3}{4}$ " length $\frac{1}{4}$ " stainless steel button head, $\frac{1}{4}$ " washers and hex nuts to fasten the insert through the holes shown below. Do not use the two holes closest to the center of the bumper at this time. Use washers only on the nut side (inside the bumper). Use needle nose pliers to tighten nuts with limited access.



Installation Instructions Premium Front Sensor Bumper

Product Number: F3550, F3551, F3552
Application: 2015-2019 Chevy Suburban

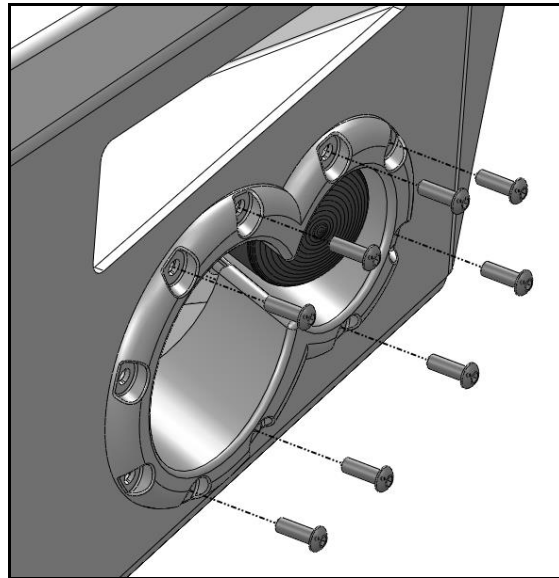


Figure 3 – Light Insert Installation

9. Install the Fab Fours fog lights onto the mounting brackets as shown below using the #8 button head screws, washers, and nylock hex nuts.

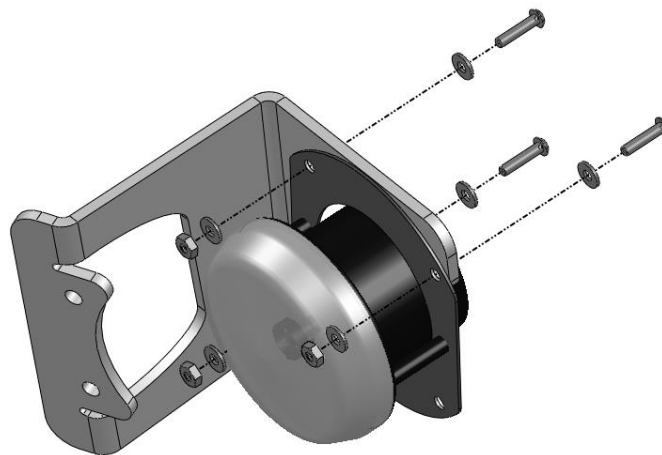


Figure 4 - Fog Light to Bracket Installation

10. Install the fog light and bracket into the bumper using the remaining two holes available in the light insert. Use the 1-1/2" length 1/4" stainless steel button heads with 1/4" washers and nylock nuts:



Installation Instructions Premium Front Sensor Bumper

Product Number: F3550, F3551, F3552
Application: 2015-2019 Chevy Suburban

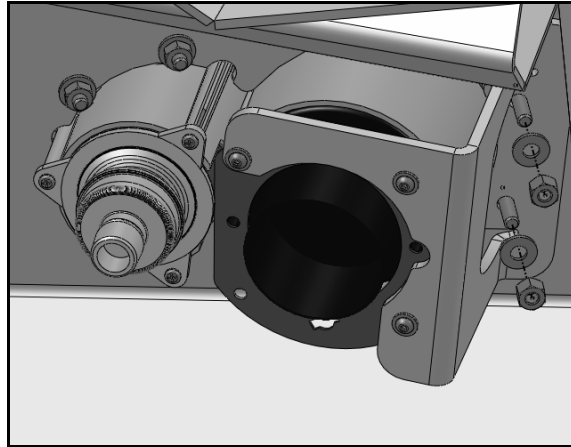


Figure 5 - Fog Light Installation

11. Repeat steps 7-10 for other side.

❑ Do not connect wiring harnesses to lights until bumper is installed.

III. Sensor Installation

1. Feed sensor harness through the cutouts in winch tray. Make sure that the plug for the OEM harness is on the passenger side of bumper.
2. Sensor housings should all point toward center of bumper, and will clip directly to mounts that are welded in the bumper. See below.



Installation Instructions Premium Front Sensor Bumper

Product Number: F3550, F3551, F3552
Application: 2015-2019 Chevy Suburban



IV. Bumper Installation

Optional: If installing winch and roller fairlead into bumper, do it at this time. Follow the winch manufacturer's instructions for installation. If you are installing a winch with a pulling capacity of 12,000 lbs., the front face mounting holes must be used.

If not installing a winch, a license plate may be installed onto the front face of the bumper (Hardware not included).

1. Install intermediate mount onto the frame rail using OEM bolts, in the OEM push bar mounting location (shown in the top view) and the provided 5" bolts in the tow hook mounting holes (Shown in bottom view). The offset portion of the bracket should face the outside of the truck. **DO NOT FULLY TIGHTEN**, repeat for other side.



Installation Instructions Premium Front Sensor Bumper

Product Number: F3550, F3551, F3552
Application: 2015-2019 Chevy Suburban



Figure 6 – INTERMEDIATE BRACKET INSTALLATION – TOP VIEW

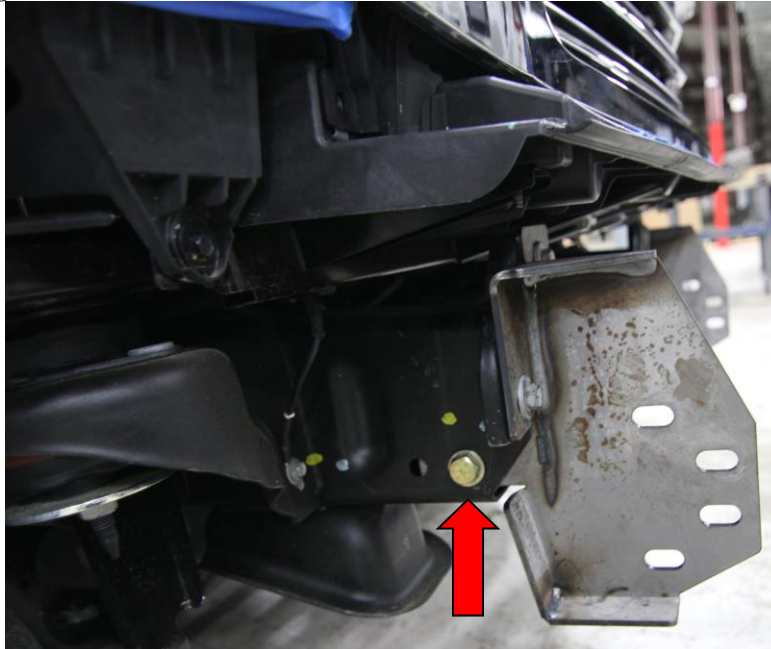


Figure 7 - INTERMEDIATE BRACKET INSTALLATION - BOTTOM VIEW

2. Refit the grille to the bumper locating the Fab Fours provided grille mounting brace onto the top of the plastic core support shell housing. Using provided



Installation Instructions Premium Front Sensor Bumper

Product Number: F3550, F3551, F3552
Application: 2015-2019 Chevy Suburban

¼" hardware install bracing into plastic support by lining up the back edge of the brace with the edge of cutout. See Figure 18.



Figure 8

3. You can now re-install the factory grille by reversing step 2 of vehicle preparation.
4. With the help of others or a lifting device, lift and align the bumper mounts with the frame mounts. With the bumper fully supported supported, install four nuts, washers, and lock washers per side onto the studs from underneath the vehicle. **DO NOT FULLY TIGHTEN.**
5. At this time it is easiest to run the wiring harness up behind grill and attaching it back under radiator shroud. Once harness is hooked back up you can re-install the radiator shroud by repeating step 1 of Vehicle Preparation.
6. Adjust up/down and up/down alignment with bumper to mounting bracket hardware

NOTE: Fab Fours recommends a **MINIMUM** gap of 3/8" at the outer fenders and headlights to prevent paint damage in normal operation.



Installation Instructions Premium Front Sensor Bumper

Product Number: F3550, F3551, F3552
Application: 2015-2019 Chevy Suburban

7. Tighten all fasteners fully; beginning with frame mounts. Then tighten all mount-to-bumper fasteners.
8. **OPTIONAL:** Trim the inner fender liners to match the higher clearance of your Fab Fours bumper. This can be done with a body saw, rotary tool, or sharp utility knife (New blade strongly recommended). **USE CAUTION WHEN PERFORMING ANY CUTTING OPERATION TO PREVENT VEHICLE DAMAGE OR PERSONAL INJURY.**
9. Connect wiring harnesses to lights as shown in wiring diagram.
10. Verify proper operation of lights. **Note:** Turn indicators should be dim during "running" condition and flash bright for turn.



Installation Instructions Premium Front Sensor Bumper

Product Number: F3550, F3551, F3552
Application: 2015-2019 Chevy Suburban

V. Maintenance/Care

- Periodically check and tighten all fasteners.
- Stripped, fractured, or bent bolts or nuts need to be replaced.
- Keep all surfaces free of dirt, road grime, and standing water to ensure finish longevity.

VI. Contact Information

Fab Fours Inc.
2213 Industrial Park Rd.
Lancaster, SC 29720

Phone (866)-385-1905
Fax (866)-574-1424
Email Support@fabfours.com



More than expected... Better than expected