



Installation Instructions

2016-2018 Chevy 1500 Grumper

Product Number: GR3800

Application: '16 -'18 CHEVY 1500

! IMPORTANT SAFETY GUIDE

- Your safety and the safety of others is very important.
- In order to help you make informed decisions about safety, we have provided the following warnings, safety precautions, installation instructions, and other important information to alert you to potential hazards that could hurt you or others.
- Please do a job safety analysis before each task to identify potential hazards for your situation and remove/protect against them.
- Use own good judgment and take your time.
- Check packaged materials immediately upon arrival to ensure that all listed parts are included and undamaged.

Read and understand all warnings, safety precautions, and instructions before installing this product.

SENSORS' FIELD OF VIEW WILL BE ALTERED WITH USE OF THE REPLACEMENT BUMPER.

WARNINGS

- **FAILURE TO OBSERVE THE FOLLOWING WARNINGS AND INSTRUCTIONS PROVIDED IN THIS MANUAL COULD LEAD TO SEVERE INJURY AND/OR DEATH.**
- **FOR PROFESSIONAL INSTALLATION ONLY. CARELESS INSTALLATION AND/OR OPERATION CAN RESULT IN SERIOUS INJURY, DEATH, AND/OR EQUIPMENT DAMAGE. ALL LIABILITY FOR INSTALLATION AND USE RESTS WITH THE USER OR CONSUMER.**
- **FAB FOURS, INC. ONLY APPROVES INSTALLING THIS PRODUCT ACCORDING TO THESE WRITTEN INSTRUCTIONS WITH THE HARDWARE PROVIDED. FAILURE TO INSTALL ACCORDING TO THESE INSTRUCTIONS WILL INVALIDATE THE WARRANTY. THIS INCLUDES, BUT IS NOT LIMITED TO, USING ALTERNATIVE INSTALLATION METHODS, HARDWARE, OR MATERIALS.**
- **THIS PRODUCT IS FOR OFFROAD USE ONLY.**



GR2900_REV_A



Installation Instructions

2016-2018 Chevy 1500 Grumper

Product Number: GR3800

Application: '16 -'18 CHEVY 1500

SAFETY PRECAUTIONS

- Always remove jewelry and wear eye protection.
- Always use extreme caution when jacking up a vehicle for work. Set emergency brake and use tire blocks. Locate and use the vehicle manufacturers designated lifting points. Use jack stands.
- Always use appropriate and adequate care in lifting components into place.
- Always ensure components will remain secure during installation and operation.
- Always wear safety glasses when installing this kit. A drilling operation will cause flying metal chips. Flying chips can cause serious eye injury.
- Always use extreme caution when drilling a vehicle. Always disconnect power before welding. Thoroughly inspect the area to be drilled (on both sides of material when possible) prior to drilling and relocate any objects that may be damaged.
- Always use extreme caution when welding a vehicle. Thoroughly inspect the area to be welded (on both sides of material when possible) prior to welding and relocate any objects that may be a fire hazard. When welding in a cab, make sure the interior surfaces are covered (e.g., welding blanket) and a fire extinguisher is at hand.
- Always use extreme caution when cutting and trimming during fitting.
- Always tighten all nuts and bolts securely per installation instructions.
- Always route electrical cables carefully. Avoid moving parts, components that become hot, and rough or sharp edges.
- Always insulate and protect all exposed wiring and electrical terminals.
- Perform regular inspections and maintenance on mounts and hardware.
- Tire may rub at max turn or articulation.



GR2900_REV_A



Installation Instructions

2016-2018 Chevy 1500 Grumper

Product Number: GR3800

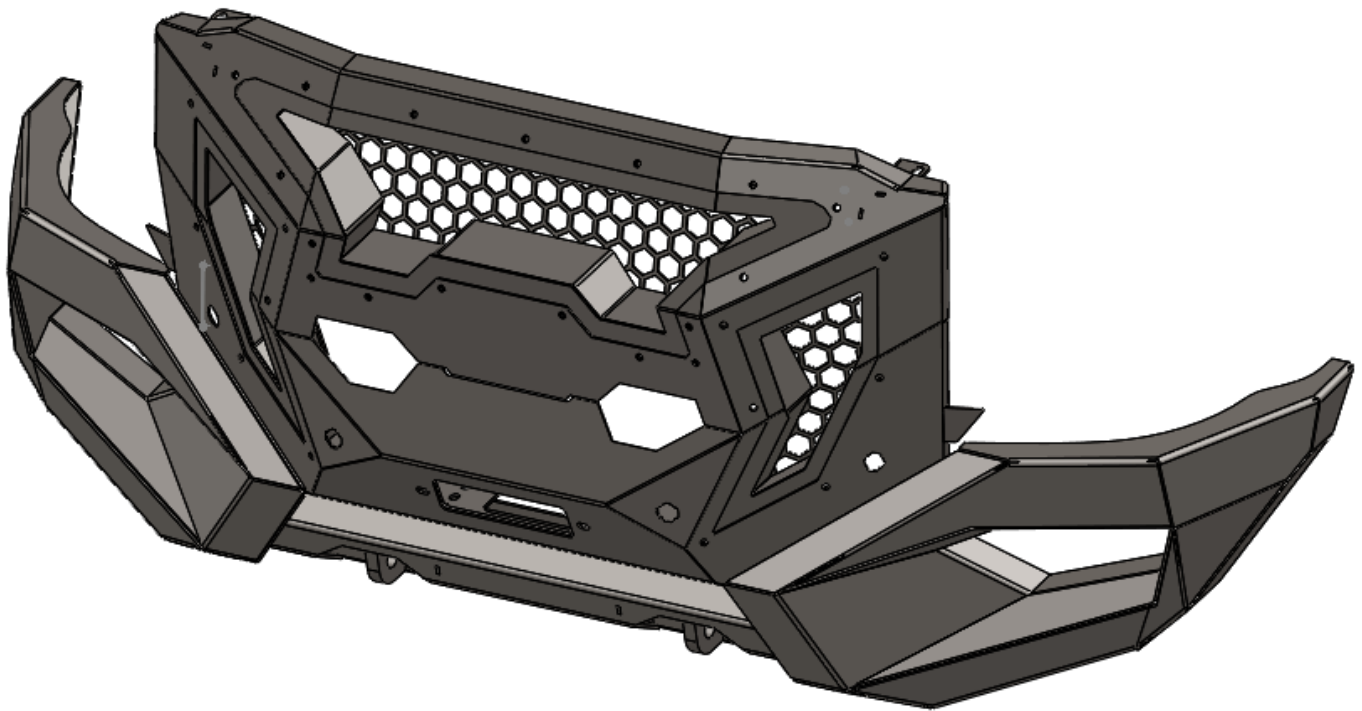
Application: '16 -'18 CHEVY 1500

I. Overview

Congratulations on your new purchase of the industries' best and most stylish Truck Grumper available for the Chevy 1500! This Truck Grumper has been engineered for strength while keeping the weight down.

Your Grumper was designed in 3-D from digitized data, CNC laser cut, fabricated, then powder coated... all in the U.S.A.

Enjoy the fit and finish of a quality Chevy 1500 Grumper from Fab Fours, Inc.



GR2900_REV_A



Installation Instructions

2016-2018 Chevy 1500 Grumper

Product Number: GR3800

Application: '16 -'18 CHEVY 1500

Parts List

- GR3800 Grumper
- Instruction Manual

Tools Required

- Socket Wrench with Extension (Ratcheting wrenches may also be convenient)
- 7mm, 15mm, 18mm, Sockets and Box End Wrenches
- Floor jack and wood block.
- Panel clip removal tool ('Christmas tree fastener removal tool')

II. Removal of OEM Bumper

Note: Save all OEM parts until installation is complete!

- A. Open hood and locate push pins on radiator cover. Using a panel clip removal tool, pull the head of the push pins up, remove push pin and lift radiator cover off. This will allow access to top grille bolts. (Ref. Figure 1).



Figure 1



GR2900_REV_A



Installation Instructions

2016-2018 Chevy 1500 Grumper

Product Number: GR3800

Application: '16 -'18 CHEVY 1500

- B. Remove the fasteners connecting the grille to the frame. 4x15mm bolts, indicated by the red SQUARES, are located at the top of the grille. At this point 6 clips, indicated by red circles, are holding the grille in place. Starting around the center of grill carefully pull grille away from truck (Ref. Figure 2a-b).

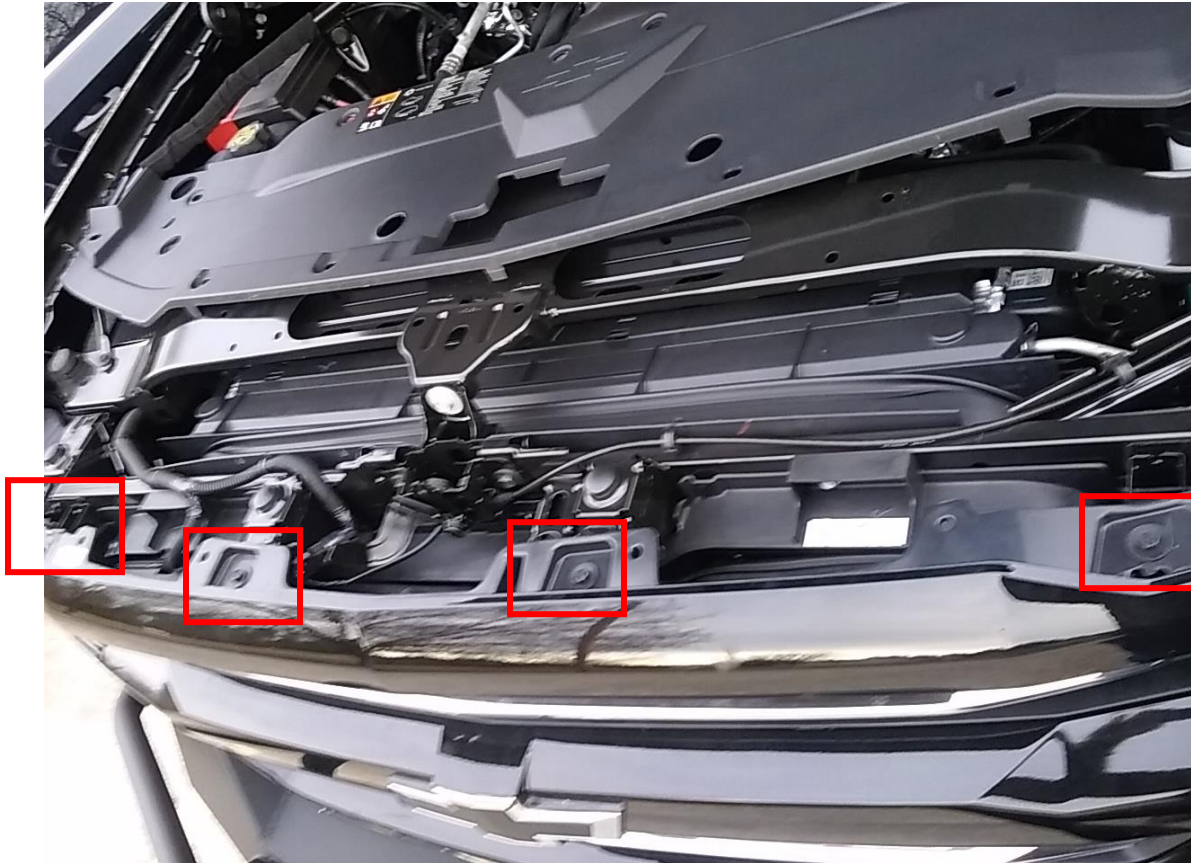


Figure 2a



GR2900_REV_A



Installation Instructions

2016-2018 Chevy 1500 Grumper

Product Number: GR3800

Application: '16 -'18 CHEVY 1500

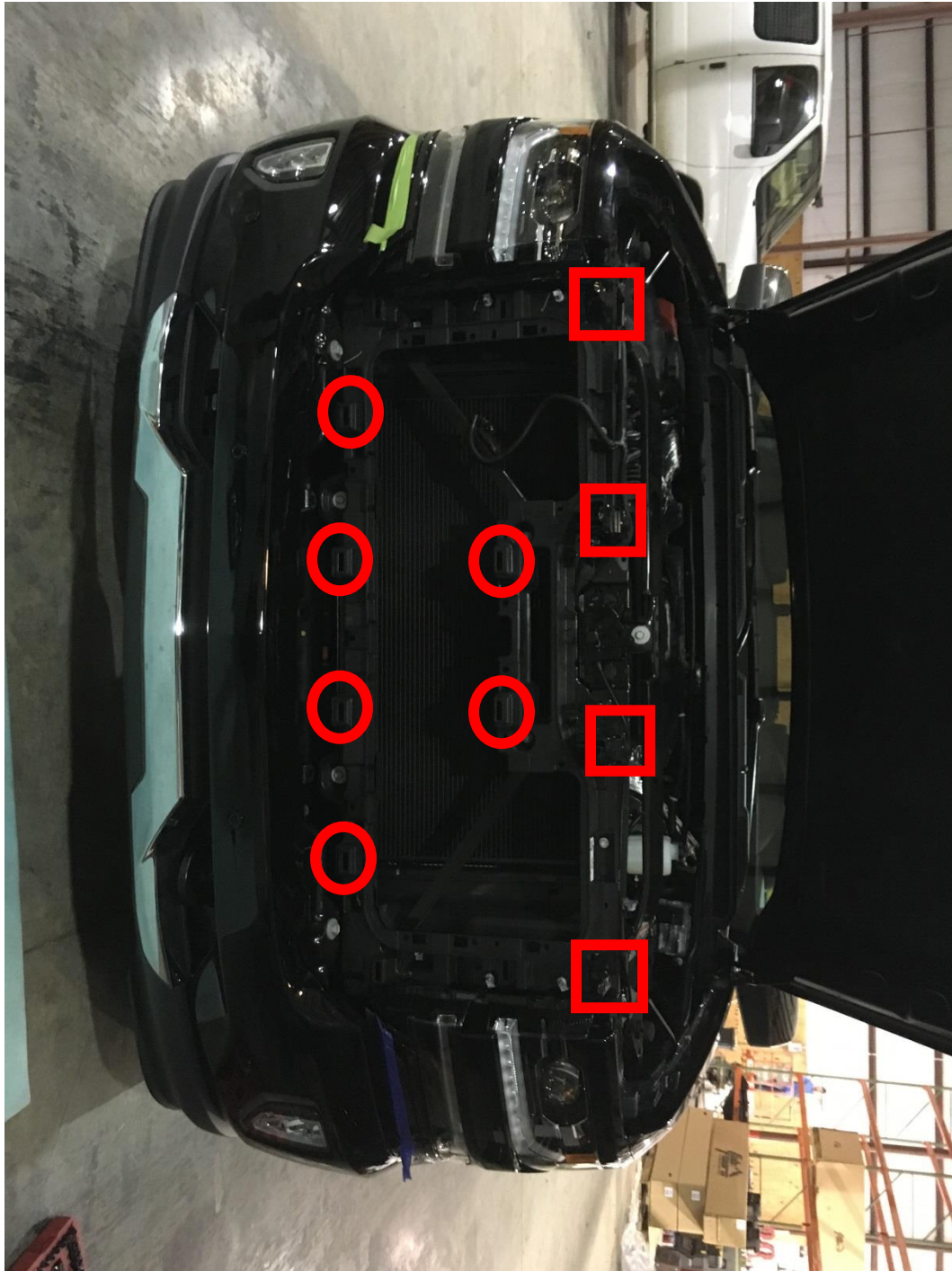


Figure 2b



GR2900_REV_A



Installation Instructions

2016-2018 Chevy 1500 Grumper

Product Number: GR3800

Application: '16 -'18 CHEVY 1500

- C. Remove bumper support bar (ref 3a-c). Using 18mm socket remove the single bolt connecting bar to bumper and 15mm socket to remove 2 bolts connecting bar to frame. Remove the fasteners connecting the bumper to the bracket. Using a 18mm socket/wrench remove bolts from the top and bottom of bracket connected to the bumper (ref 3c). Pull bumper away from vehicle. Using 22mm socket remove forward facing bolts holding bracket to frame. Repeat process on each side of vehicle.



Figure 3a



GR2900_REV_A



Installation Instructions

2016-2018 Chevy 1500 Grumper

Product Number: GR3800

Application: '16 -'18 CHEVY 1500



Figure 3b



Figure 3c



GR2900_REV_A



Installation Instructions

2016-2018 Chevy 1500 Grumper

Product Number: GR3800

Application: '16 -'18 CHEVY 1500

- D. Remove bolts securing tow hooks to frame. Location is indicated in image below by green rectangle (Ref. 4b).



Figure 4a

Figure 4b

- E. Remove OEM electrical harness from bumper. Disconnect harness from fog lights and sensors. Pop out plastic clips holding harness to bumper on both sides and carefully pull away.



GR2900_REV_A



Installation Instructions

2016-2018 Chevy 1500 Grumper

Product Number: GR3800

Application: '16 -'18 CHEVY 1500

III. Pre-Installation

NOTE: PLEASE READ THE ENTIRE MANUAL BEFORE ATTEMPTING INSTALLATION! Ignoring these steps will increase your probability of scratching the vehicle during product installation.

- A. Remove the bumper from the shipping carton. Lay all items out on a blanket to prevent damage to the powder coating.
 - B. Remove the sensors and sensor housings from your stock bumper. The sensors are removed by pressing outward on the tabs of the sensor housing (Figure 10, red arrows) and pulling away from the bumper. The sensor housing is then removed by pressing the **THREE** clips circled and push through the front of the bumper.
- **Optional:** If installing winch into Grumper, do it at this time. Follow the winch manufacturer's instructions for installation. The Fairlead can be installed when the center grill assembly is fastened to the winch tray.



Figure 5a



GR2900_REV_A



Installation Instructions

2016-2018 Chevy 1500 Grumper

Product Number: GR3800

Application: '16 -'18 CHEVY 1500



Figure 5b

- C. Insert your stock housings into your Fab Fours bumper. Each sensor position **may change**. Sensors housing protrusion should match images below (Fig. 6a-d). Failure to insert these properly may result in errors with the parking assist features of your truck.



Figure 6A Inner Sensor Orientation



Figure 6B Inner Sensor Orientation



GR2900_REV_A



Installation Instructions

2016-2018 Chevy 1500 Grumper

Product Number: GR3800

Application: '16 -'18 CHEVY 1500



Figure 6C Outer Sensor



Figure 6D Outer Sensor

- D. **After ensuring sensors work** in current orientation, epoxy should be applied to the housing on inside of bumper and allowed to dry.



GR2900_REV_A



Installation Instructions

2016-2018 Chevy 1500 Grumper

Product Number: GR3800

Application: '16 -'18 CHEVY 1500

IV. Grumper Installation

- A. Loosely install the winch tray using the six OEM bolts (Ref. Figure 7).

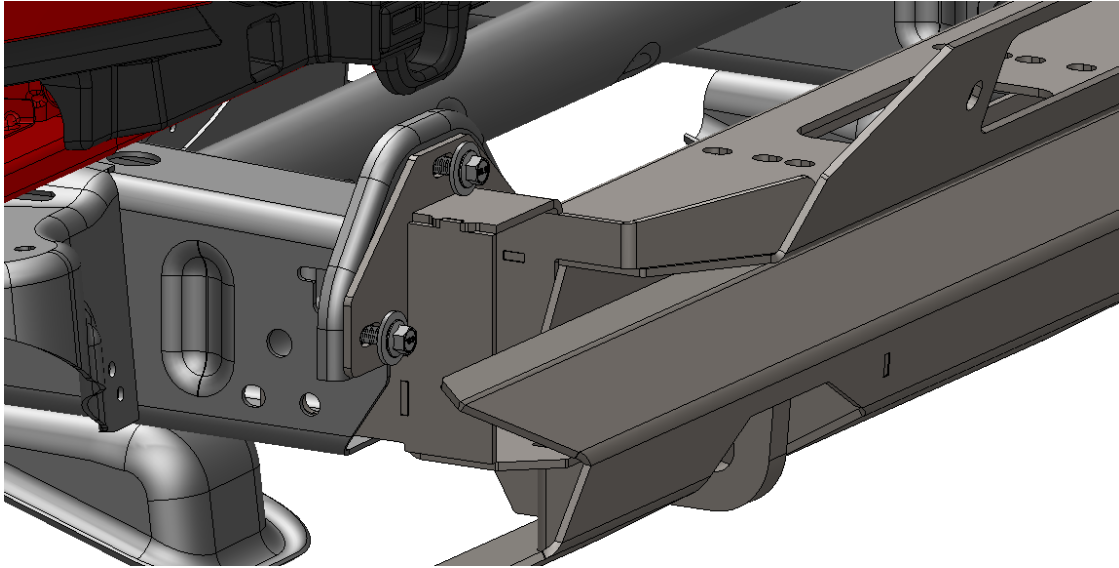


Figure 7



GR2900_REV_A



Installation Instructions

2016-2018 Chevy 1500 Grumper

Product Number: GR3800

Application: '16 -'18 CHEVY 1500

- B. Bolt inserts into the center grill section (Figure 8a-b). Attach the inserts to the center grill using 5/16" SS hardware. Use the rubber sealing washers on the exterior face of the Grumper shell. Stack a flat washer, lock washer, and nut on the inside. Attach the mesh pieces to the boxes with the 3/8" Yellow Zinc hardware. Install the sensor housings in the provided holes. **DO NOT EPOXY** at this time. Push the sensors into the housings and attach the wiring harness to each sensor. Note that there are two inboard sensor housings and two outboard sensor housings. [This is signified by a "IB" or "OB" on the side of the housing.]

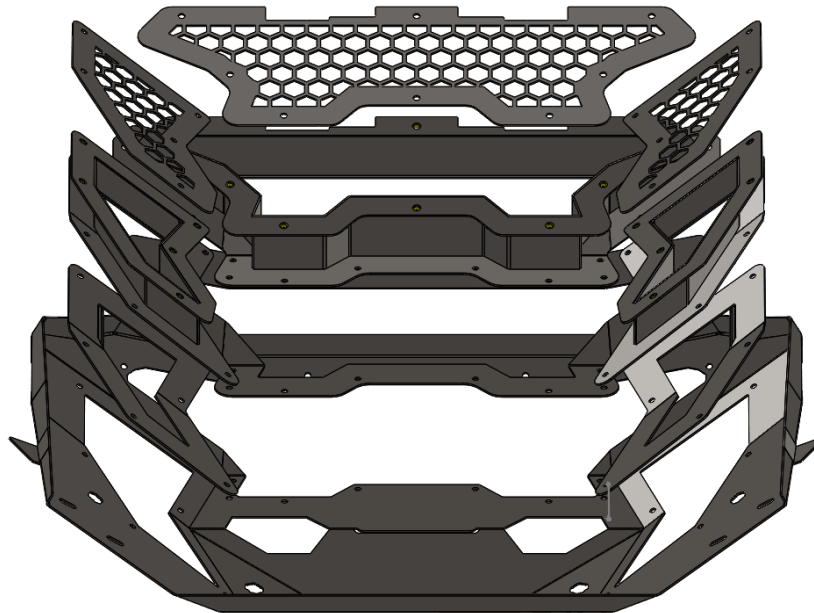


Figure 8a (EXPLODED GRILLE ASSEMBLY)



GR2900_REV_A



Installation Instructions

2016-2018 Chevy 1500 Grumper

Product Number: GR3800

Application: '16 -'18 CHEVY 1500

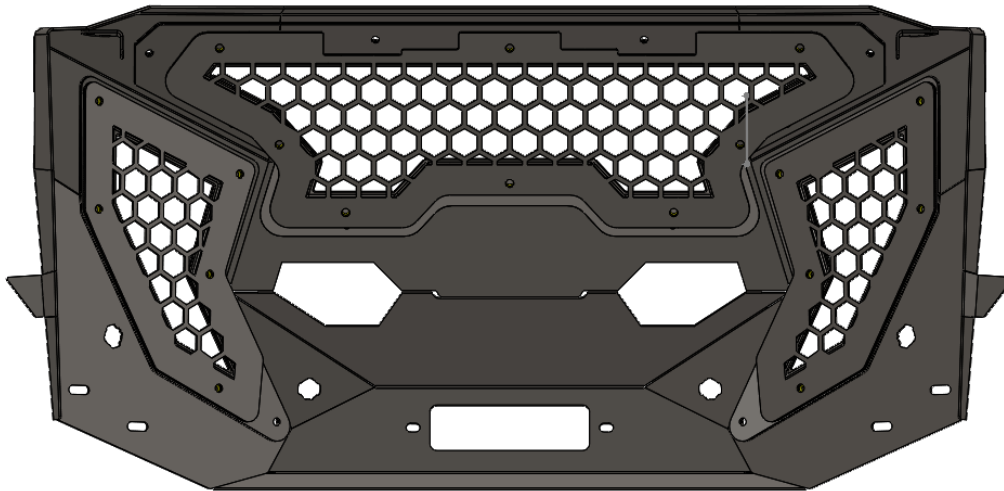


Figure 8b (ASSEMBLED GRILLE)

- C. Install the center grille section onto the truck (Figure 9a-b). Secure the two upper brackets to the core support with the 5/16" Yellow Zinc mounting hardware. Fasten the center section to the winch tray with the 7/16" stainless button head screws. If you have a winch, the fairlead should be attached at this time using the bolts provided with the winch. Adjust the center section so that it is centered on the truck and at the correct height. Tighten all fasteners. Connect the sensor wiring harness to the truck.

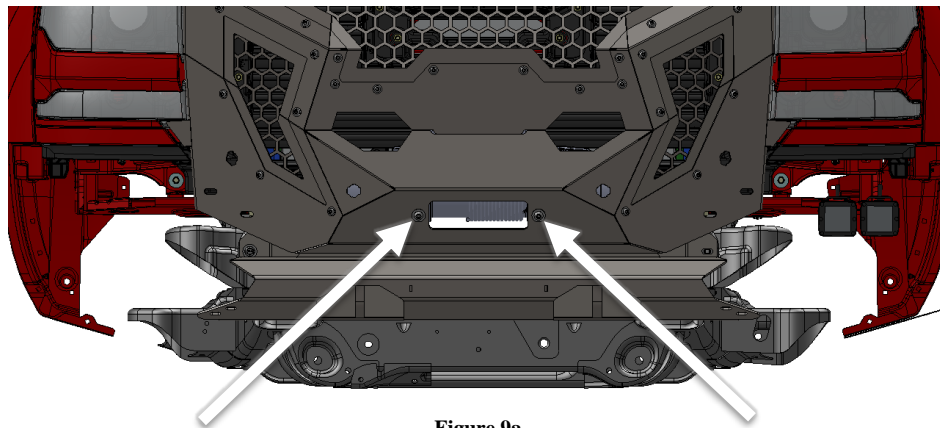


Figure 9a



GR2900_REV_A



Installation Instructions

2016-2018 Chevy 1500 Grumper

Product Number: GR3800

Application: '16 -'18 CHEVY 1500

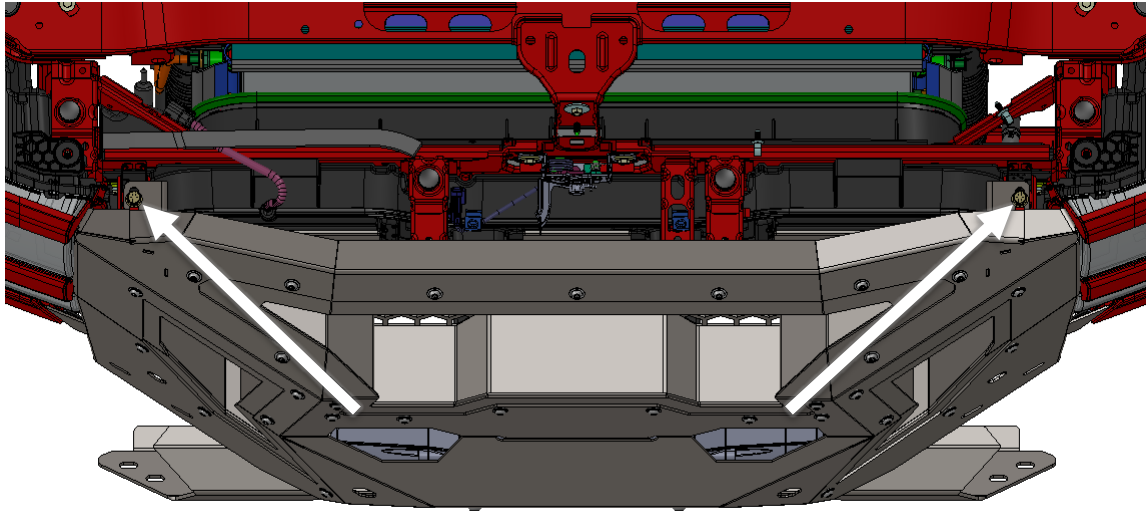


Figure 9b

- D. Install Wings using the eight provided 3/8" x 1" bolts (Figure 10a-b). Each wing will attach to the center section with two bolts and to the winch tray with two bolts.**

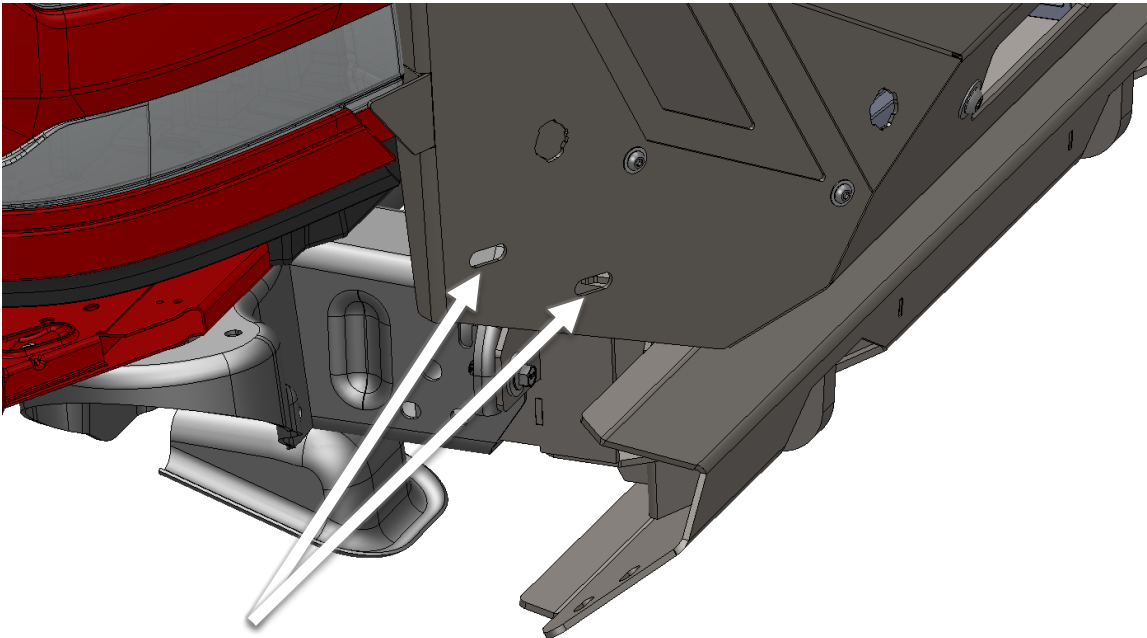


Figure 10a



GR2900_REV_A



Installation Instructions

2016-2018 Chevy 1500 Grumper

Product Number: GR3800

Application: '16 -'18 CHEVY 1500

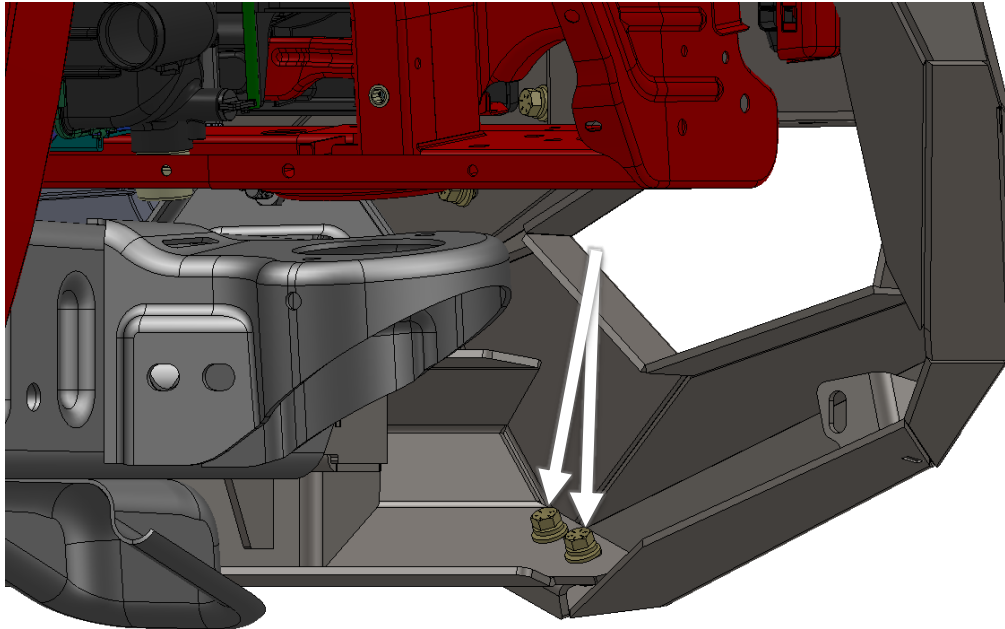


Figure 10b

- E. Install Wing Stiffeners using the 3/8" x 1.25" hardware. The stiffener will be bolted through the frame and winch tray mount with the 1/2" x 5.0" hardware (Figure 11a-b).**

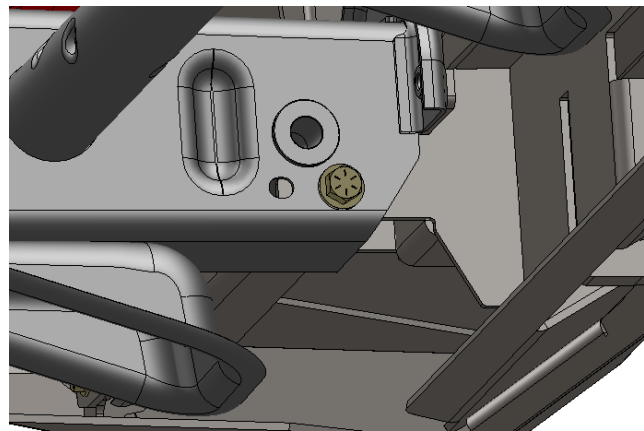
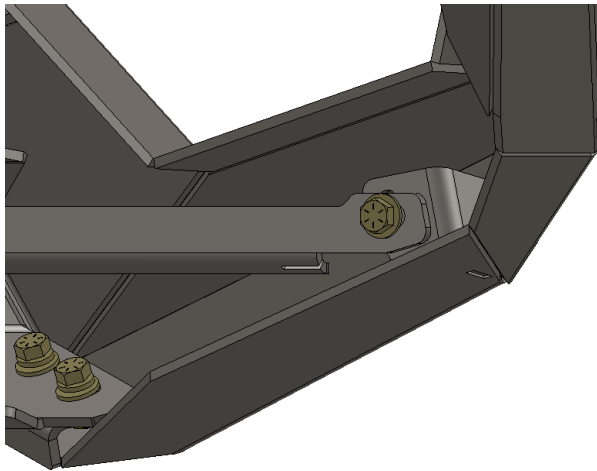


Figure 11a-b



GR2900_REV_A



Installation Instructions 2016-2018 Chevy 1500 Grumper

Product Number: GR3800

Application: '16 -'18 CHEVY 1500

- F. Align the bumper side to side and top to bottom to ensure a perfect fit to the truck. Allow greater than 1/4" of clearance to all painted surfaces if possible. This is to allow for frame flex!
- G. **Fully tighten all fasteners between bumper and brackets as well as brackets and frame.**
- H. Remove adhesive covering on Fab fours logo, center with grille, align with cutout in center of the grille and apply with firm pressure for 30 seconds.

Enjoy your New Grumper from Fab Fours!



GR2900_REV_A



Installation Instructions

2016-2018 Chevy 1500 Grumper

Product Number: GR3800

Application: '16 -'18 CHEVY 1500

Maintenance/Care

- Periodically check and tighten all fasteners.
- Stripped, fractured, or bent bolts or nuts must be replaced.
- After washing of the vehicle make sure to fully dry all surfaces



GR2900_REV_A