



Installation Instructions

Front Fender Gill Box

SKU: JK1004

2007-2016 Jeep JK 4 Door

SAFETY

Your safety and the safety of others is very important.

- In order to help you make informed decisions about safety, we have provided installation instructions and other information.
- These instructions alert you to potential hazards that could hurt you or others.
- Please do a job safety analysis (JSA) before each task to identify potential hazards for your situation and remove/protect against them.
- You must use your own good judgment, and take your time.

Read and understand all safety precautions and instructions before installing this product.

THIS PRODUCT IS FOR OFFROAD USE ONLY. ALL LIABILITY FOR INSTALLATION AND USE RESTS WITH THE OWNER.

CARELESS INSTALLATION AND OPERATION CAN RESULT IN SERIOUS INJURY OR EQUIPMENT DAMAGE.

Injury hazard

Failure to observe these instructions could lead to severe injury or death.

- Always** remove jewelry and wear eye protection.
- Always** use appropriate and adequate care in lifting components into place.
- Always** insure components will remain secure during installation and operation.
- Always** wear safety glasses when installing this kit
- Always** use extreme caution when cutting and trimming during fitting.
- Always** tighten all nuts and bolts securely per installation instructions.
- Always** perform regular inspections and maintenance on mounts and related hardware.





Installation Instructions

Front Fender Gill Box

SKU: JK1004

2007-2016 Jeep JK 4 Door

Overview

Congratulations on your new purchase of the front fender gill box.

Your gill box was designed in 3-D from digitized data, CNC laser cut, fabricated, and powder coated... all in the U.S.A. Enjoy the fit and finish of a quality gill box from Fab Fours, Inc.





Installation Instructions

Front Fender Gill Box

SKU: JK1004

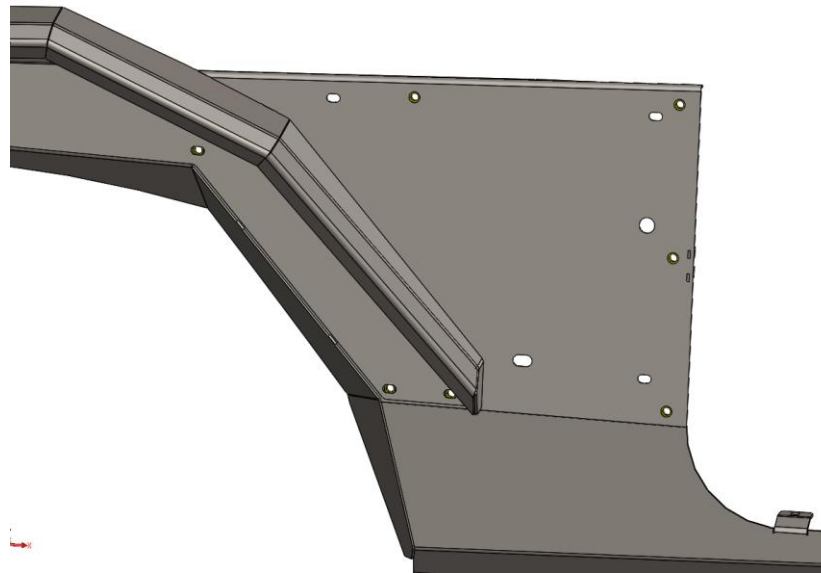
2007-2016 Jeep JK 4 Door

I. Tools Required

- Allen wrenches

II. Gill Box Install

1. With the front fender not installed on the vehicle, install the fender flare by performing the steps in the fender flare instruction manual. Do not use the fender skin as it will cover required gill box mounting holes. Only hand tighten the bolts at this time.



2. Position the gill box on the fender base in its mounting position and hand tighten the four 3/8-16 included bolts and washers. The required hardware is supplied in the fender hardware kit.



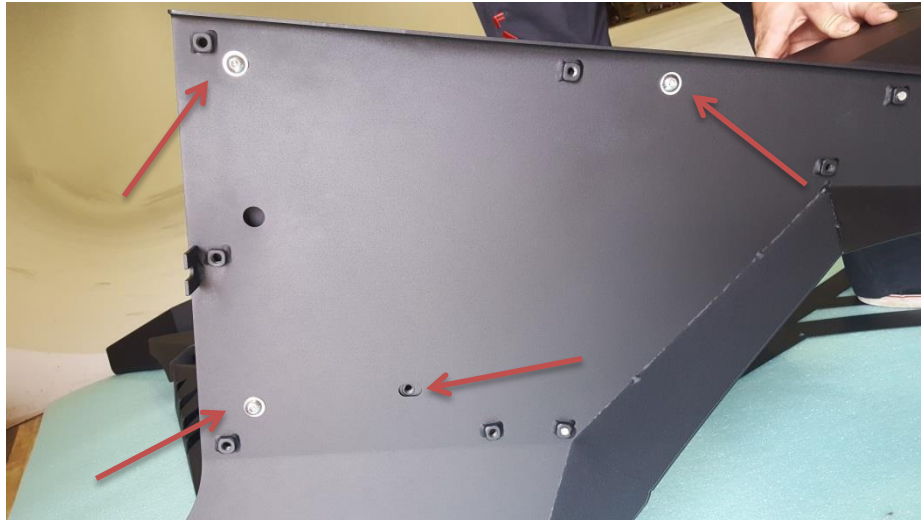


Installation Instructions

Front Fender Gill Box

SKU: JK1004

2007-2016 Jeep JK 4 Door



3. Align the fender flare and gill box to your liking and fully tighten all hardware.



4. At this point your fender should look like above and you are ready to install the fender assembly on the vehicle using the installation manual for the fender base.





Installation Instructions

Front Fender Gill Box

SKU: JK1004

2007-2016 Jeep JK 4 Door

III. Maintenance/Care

- Periodically check and tighten all nuts.
- Stripped, fractured, or bent bolts or nuts need to be replaced.

