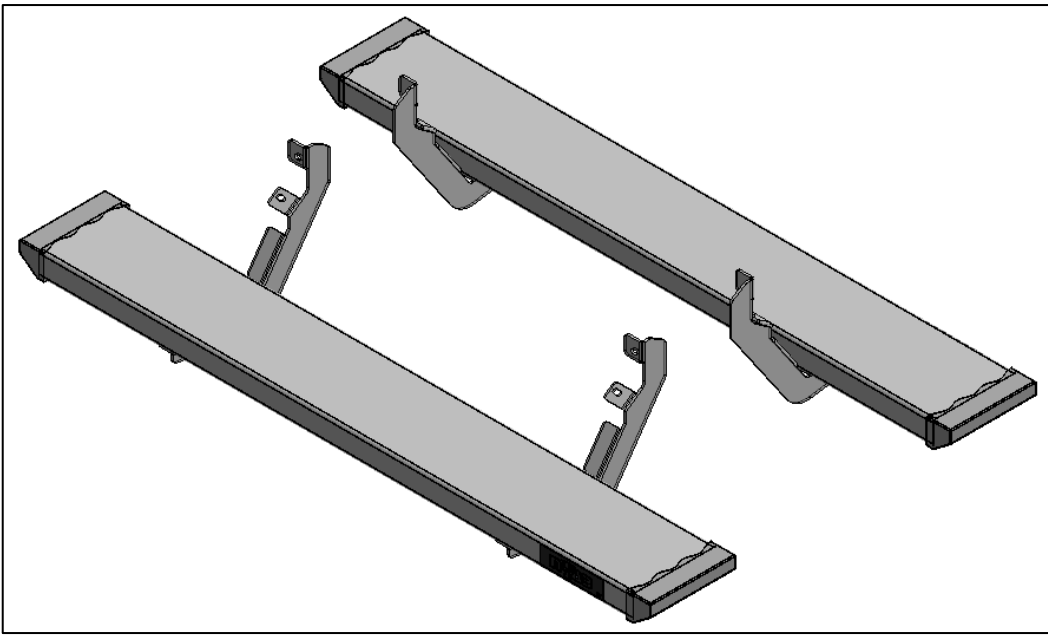


HARDWARE DESCRIPTION		QTY.
HWKT-00234X		
FLBW-00894X	M8-1.25 X 30MM CLASS 8.8 FLANGE CAP SCREW W/WASHER	8
FLHB-00688X	3/8"-16 X 1" GRADE 5 HEX SERRATED FLANGE BOLT	8

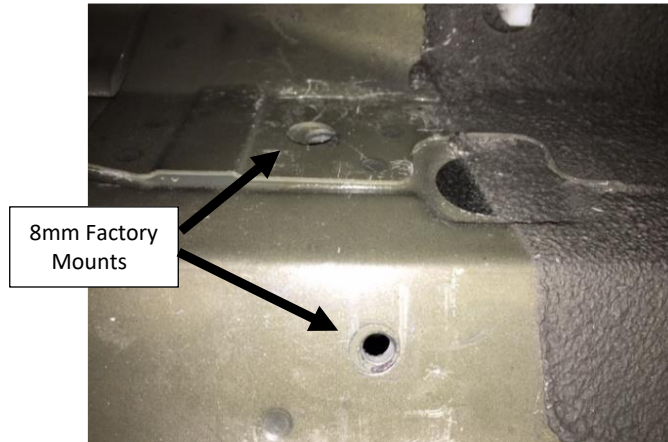
PARTS INCLUDED	QTY
Running Board	2
Rocker Panel mounting Brackets	4
Threaded clamp plates	4



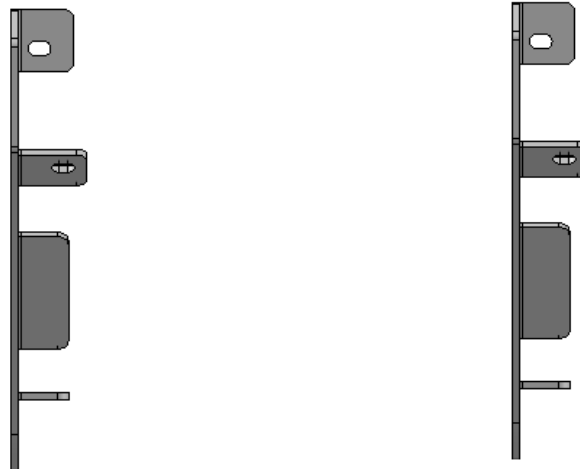
GROWLER



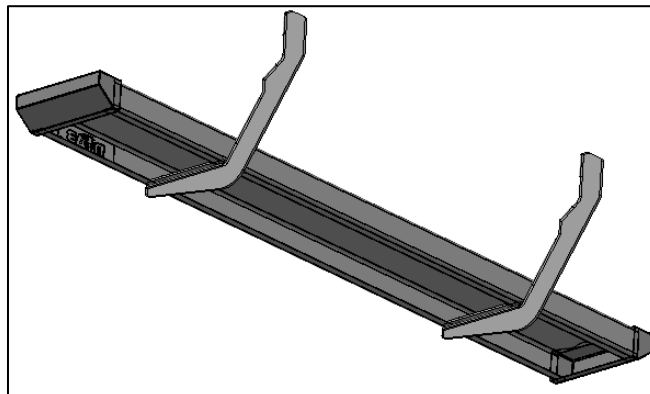
Step 1: Remove factory-running boards if equipped and discard. You will see the 8mm threaded mounts in the body.



Step 2: Starting with the driver's side, install the (x2) rocker panel mounting brackets to the factory attachment points using the supplied M8X30mm Hex Cap Bolt with washer and leave loose at this time.



Step 3: Set running board along the top of the two brackets and center along the cab front/back.





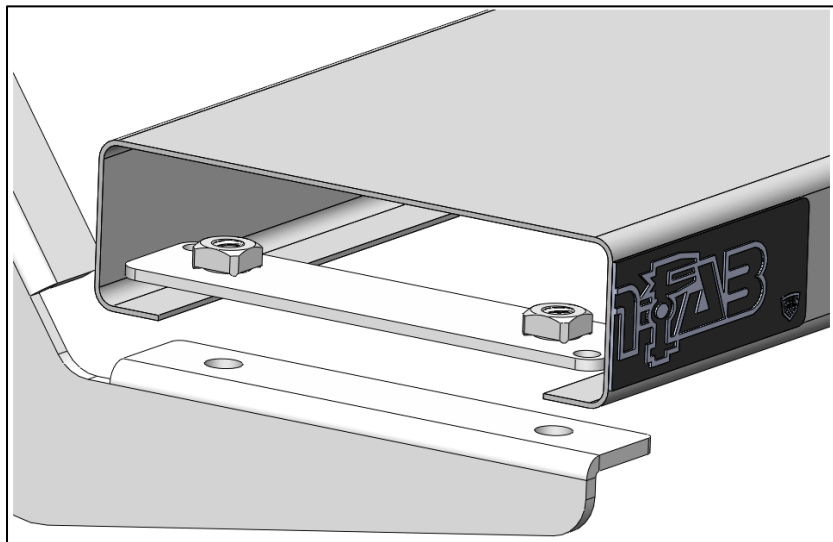
I-SHEET NUMBER: INST-00056
PART NUMBER: GFN16RC-TX
PRODUCT: **Growler Running Board**
APPLICATION: 16-19 NISSAN TITAN REG. CAB

Step 5: Insert the supplied threaded brackets (x2) inside the running board lip over the top of each bracket.

Step 6: With the supplied 3/8" x 1" hex bolts, secure each mounting location and leave loose.

Step 7: After final adjustment, tighten all running board threaded mounts.

Step 8: Next, adjust rocker panel brackets so the running board is level with body of the vehicle and tighten all factory-mounting locations.



Step 9: Re-peat with passenger side.