



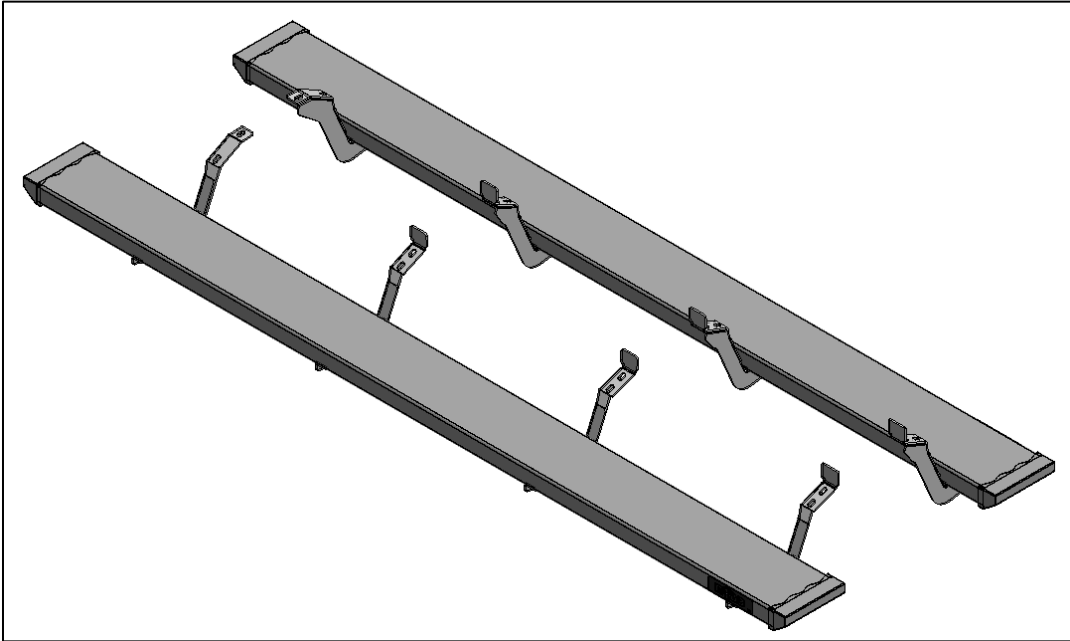
I-SHEET NUMBER: INST-00016
 PART NUMBER: T07-CCTX, T07-QCTX
 PRODUCT: **Growler Running Board**
 APPLICATION: 07-18 CREW MAX, QUAD CAB

HARDWARE DESCRIPTION		QTY.
HWKT-00025X		
FLBW-00894	M8-1.25 X 30MM CLASS 8.8 FLANGE CAP SCREW W/WASHER	16
FLHB-00688	3/8"-16 X 1" GRADE 5 HEX SERRATED FLANGE BOLT	16

PARTS INCLUDED	QTY
Running Boards	2
Rocker Panel mounting Brackets	8
Threaded clamp plates	8



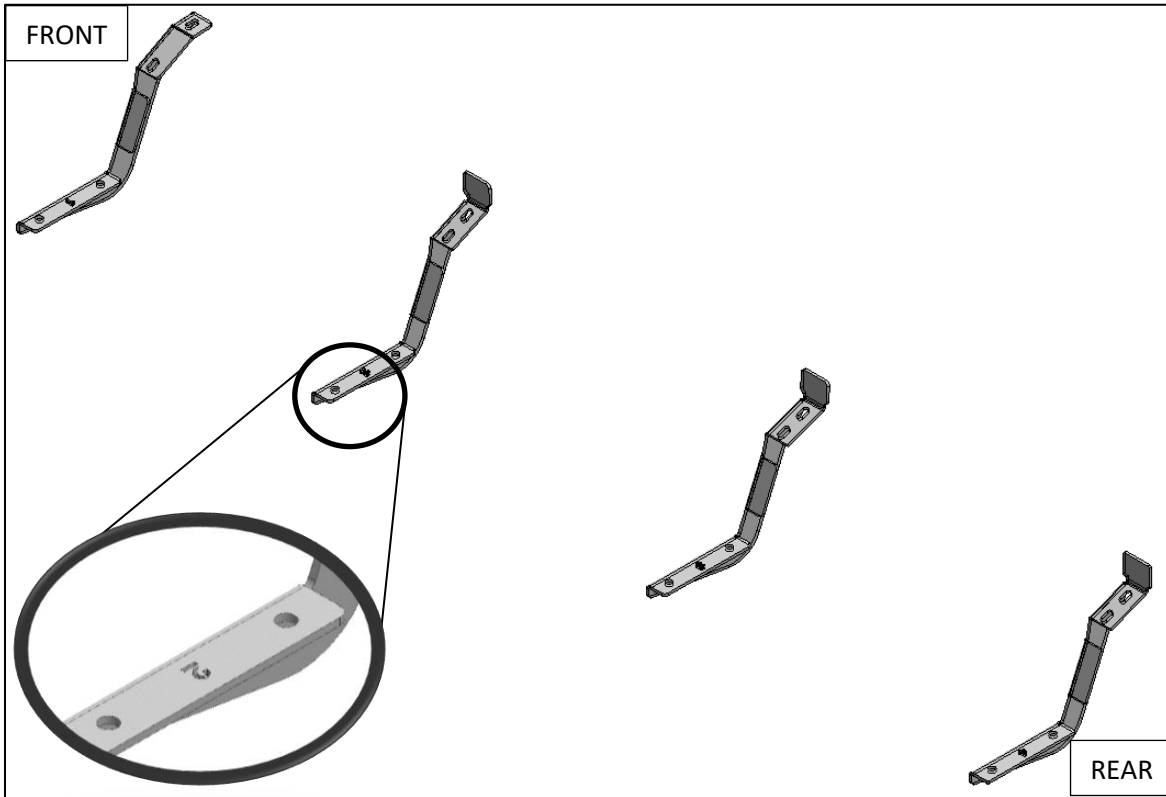
GROWLER



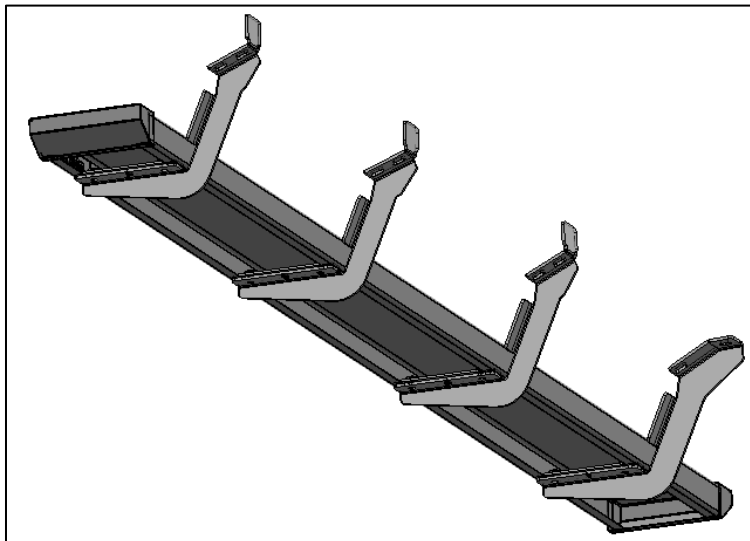
Step 1 Beginning with the driver side, remove the factory hardware and discard.

Step 2 Next, install the four rocker panel mounting brackets with the supplied M8x25mm Hex bolts with integrated washers and leave loose.

NOTE: The brackets are labeled 1-4 from front to back.



Step 3: Set running board along the top of all four brackets and center along the cab.

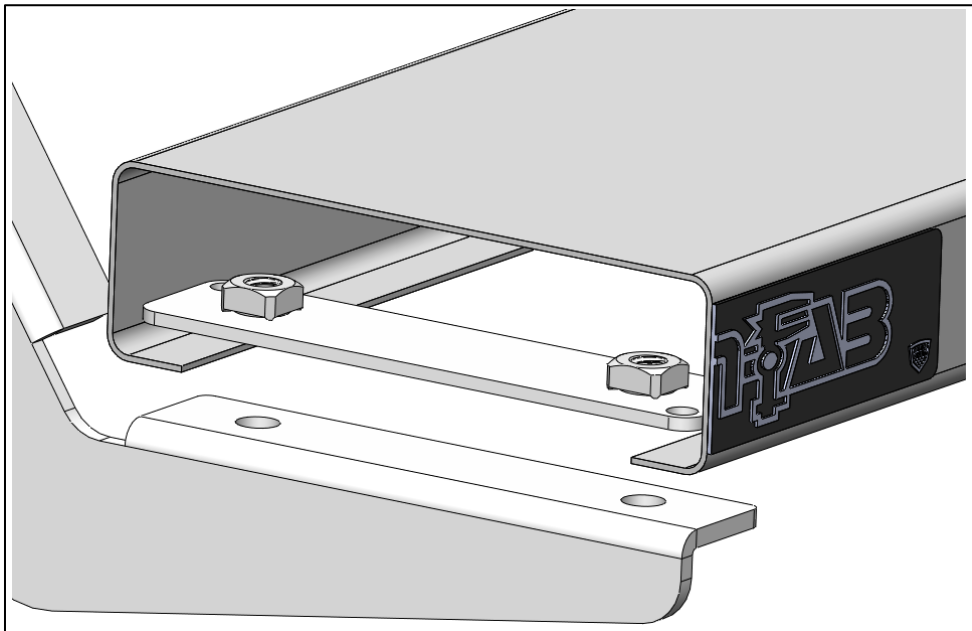


Step 4: Insert the supplied threaded brackets (x4) inside the running board lip over the top of each bracket.

Step 5: With the supplied 3/8" x 1" hex bolts, secure each mounting location and leave loose.

Step 6: After final adjustment, tighten all running board threaded mounts.

Step 7: Next, adjust frame brackets so the running board is level with body of the vehicle and tighten all factory-mounting locations.



Step 8: Re-peat steps 2-7 for passenger side.