

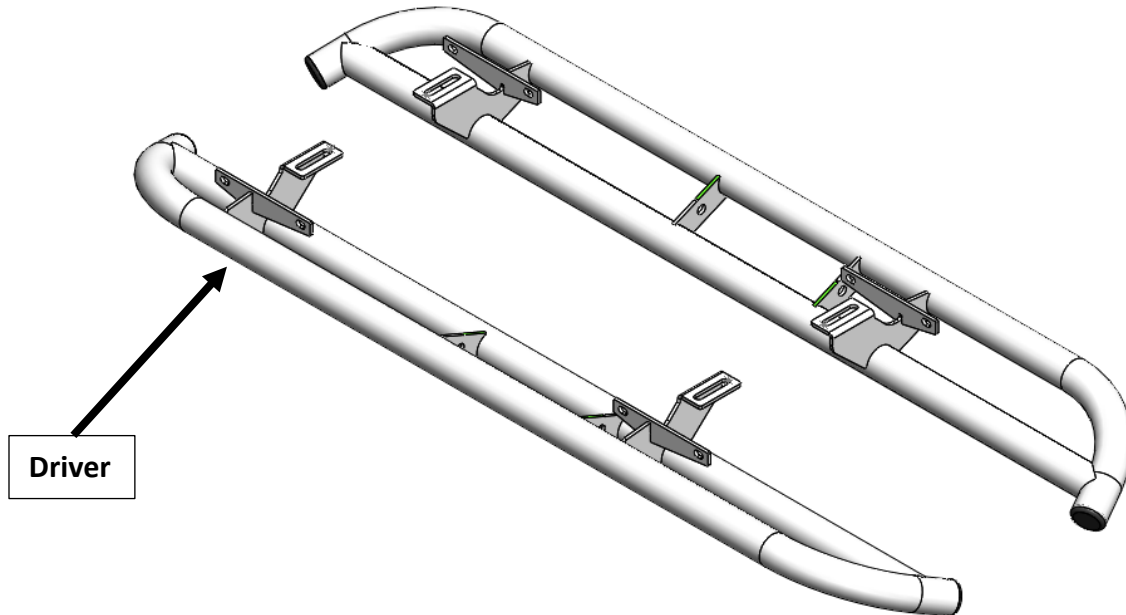
PART NUMBER: J182RKR, J182RKRS4
 PRODUCT: RKR RAILS
 APPLICATION: 2018-C JEEP JL 2 door



(Shown with optional Part# JPT32 Detachable Steps)

HARDWARE DESCRIPTION	QTY.
HWKT-00047X	
M8x30mm flanged hex bolt with washer	4
M8x25mm Flanged hex head bolt (Black zinc)	8
M8 flanged nuts	8

Step 1. Identify the driver side step.



Step 2. Remove the factory running boards and discard.



Step 3. Carefully raise up RKR rail into position and align the brackets with the factory mounting points with the horizontal part of the bracket on the outside of the pinch weld.

Step 4. Next, start one of the supplied M8x30mm hex head flanged bolt and washer starting with the front bracket in the factory threaded hole and leave loose. Perform the same step with the rear bracket.

Step 5. Start two M8x25mm black zinc flanged bolts and two M8 flanged nuts (both brackets) in the pinch weld and leave loose for final adjustment.



Step 6. Adjust the RKR rail where the main bar is level with the body of the vehicle.



Step 7. First, tighten all the hardware that attaches the bracket to the pinch weld of the vehicle.



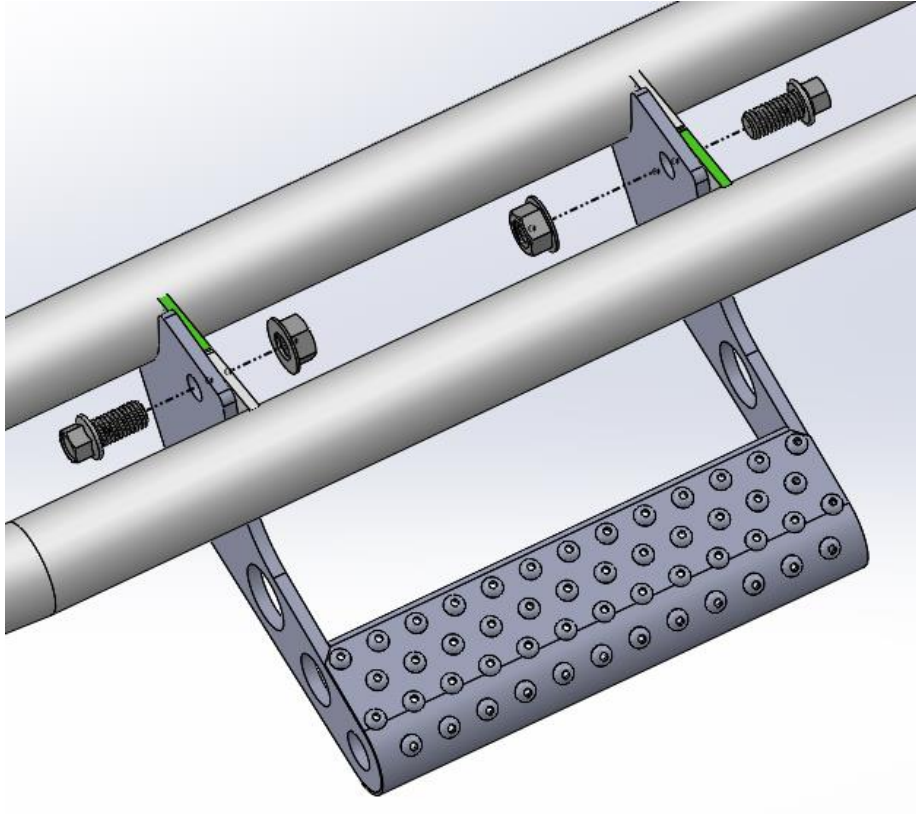
Step 8. Next, tighten the remaining hardware that attaches the bracket to the upper body mount.



Step 9. Repeat steps 2-8 for the Driver side.

Prt# JPTS32 Detachable Step Installation.

Step 1: Attach the step to the mounts located in between the RKR rails using the supplied $\frac{1}{2}$ " x 1" Flanged hex bolts and $\frac{1}{2}$ " Flanged hex nuts. ***NOTE: The step will mount to the left of the bracket opposite of the weld.***



Step 2: Torque bolts to a target torque of 40 ft.-lbs. / 54Nm