



Installation Instructions

ViCowl

Product Number: JL3020

Application: Jeep JL 2018

! IMPORTANT SAFETY GUIDE

- Your safety and the safety of others is very important.
- In order to help you make informed decisions about safety, we have provided the following warnings, safety precautions, installation instructions, and other important information to alert you to potential hazards that could hurt you or others.
- Please do a job safety analysis before each task to identify potential hazards for your situation and remove/protect against them.
- Use own good judgment and take your time.
- Check packaged materials immediately upon arrival to ensure that all listed parts are included and undamaged.

Read and understand all warnings, safety precautions, and instructions before installing this product.

SENSORS FIELD OF VIEW WILL BE ALTERED WITH USE OF THE REPLACEMENT BUMPER.

WARNINGS

- **FAILURE TO OBSERVE THE FOLLOWING WARNINGS AND INSTRUCTIONS PROVIDED IN THIS MANUAL COULD LEAD TO SEVERE INJURY AND/OR DEATH.**
- **FOR PROFESSIONAL INSTALLATION ONLY. CARELESS INSTALLATION AND/OR OPERATION CAN RESULT IN SERIOUS INJURY, DEATH, AND/OR EQUIPMENT DAMAGE. ALL LIABILITY FOR INSTALLATION AND USE RESTS WITH THE USER OR CONSUMER.**
- **FAB FOURS, INC. ONLY APPROVES INSTALLING THIS PRODUCT ACCORDING TO THESE WRITTEN INSTRUCTIONS WITH THE HARDWARE PROVIDED. FAILURE TO INSTALL ACCORDING TO THESE INSTRUCTIONS WILL INVALIDATE THE WARRANTY. THIS INCLUDES, BUT IS NOT LIMITED TO, USING ALTERNATIVE INSTALLATION METHODS, HARDWARE, OR MATERIALS.**
- **THIS PRODUCT IS FOR OFFROAD USE ONLY.**





Installation Instructions

ViCowl

Product Number: JL3020

Application: Jeep JL 2018

SAFETY PRECAUTIONS

- Always remove jewelry and wear eye protection.
- Always use extreme caution when jacking up a vehicle for work. Set emergency brake and use tire blocks. Locate and use the vehicle manufacturers designated lifting points. Use jack stands.
- Always use appropriate and adequate care in lifting components into place.
- Always ensure components will remain secure during installation and operation.
- Always wear safety glasses when installing this kit. A drilling operation will cause flying metal chips. Flying chips can cause serious eye injury.
- Always use extreme caution when drilling a vehicle. Always disconnect power before welding. Thoroughly inspect the area to be drilled (on both sides of material when possible) prior to drilling, and relocate any objects that may be damaged.
- Always use extreme caution when welding a vehicle. Thoroughly inspect the area to be welded (on both sides of material when possible) prior to welding, and relocate any objects that may be a fire hazard. When welding in a cab, make sure the interior surfaces are covered (*e.g.*, welding blanket) and a fire extinguisher is at hand.
- Always use extreme caution when cutting and trimming during fitting.
- Always tighten all nuts and bolts securely per installation instructions.
- Always route electrical cables carefully. Avoid moving parts, components that become hot, and rough or sharp edges.
- Always insulate and protect all exposed wiring and electrical terminals.
- Perform regular inspections and maintenance on mounts and hardware.
- Tire may rub at max turn or articulation.





Installation Instructions

ViCowl

Product Number: JL3020

Application: Jeep JL 2018

I. Overview

Congratulations on your new purchase of the industries' best and most stylish Vicowl available for the 2018 Jeep JL!

Your Vicowl was designed in 3-D from digitized data, CNC laser cut, fabricated, and powder coated... all in the U.S.A.

Enjoy the fit and finish of a quality JL Vicowl from Fab Fours Inc.





Installation Instructions

ViCowl

Product Number: JL3020

Application: Jeep JL 2018

II. Removal of OEM Cowl

Note: Save all OEM parts until installation is complete!

- A. Remove the 4x stock cowl side trim bolts on both the driver and passenger side by using a T40H star-tip socket.

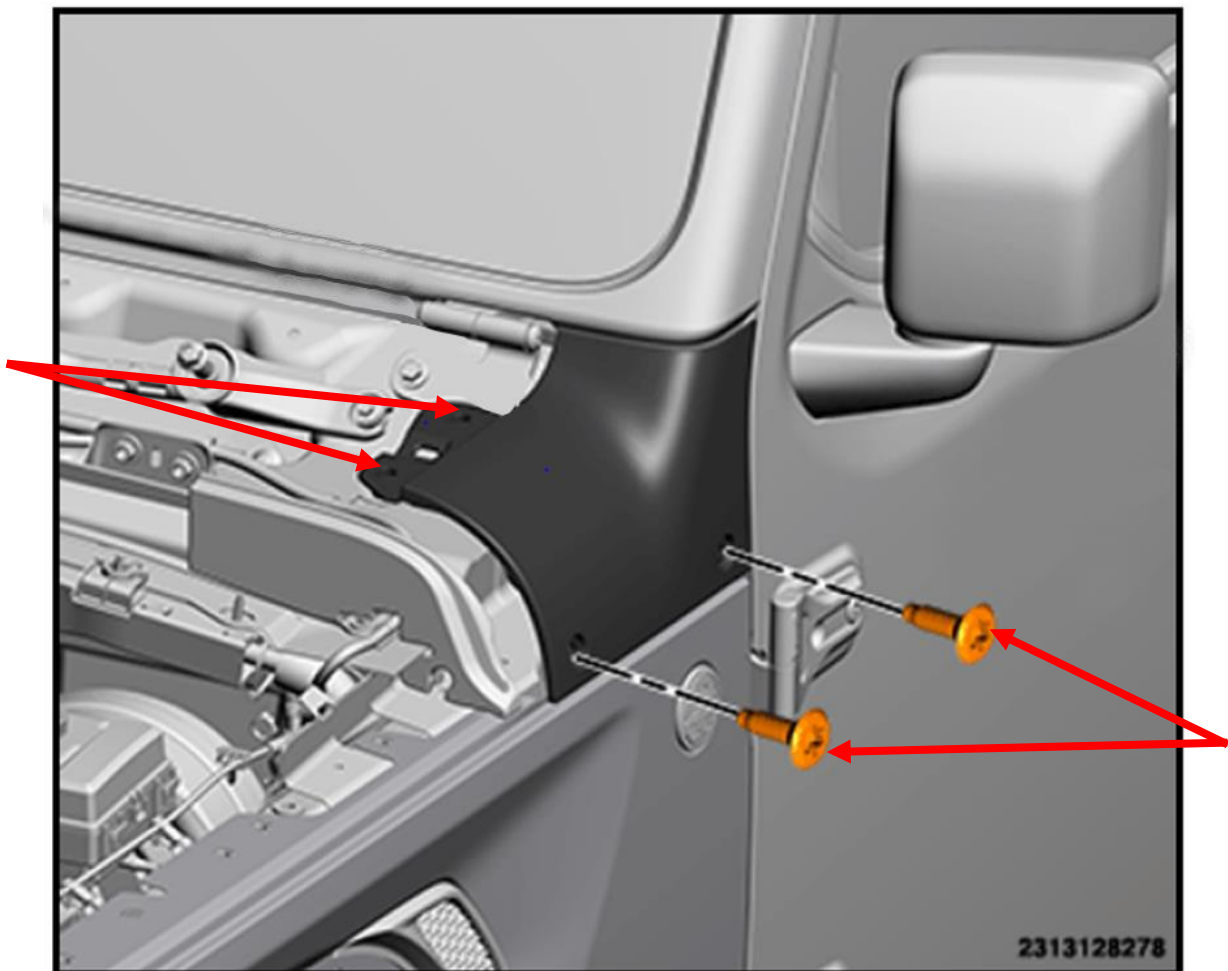


Figure 1

****NOTE: Do NOT remove the center cowl as pictured in Figure 1. The cowl side trim can be removed without removing the center cowl.****





Installation Instructions

ViCowl

Product Number: JL3020

Application: Jeep JL 2018

III. Pre-Installation

NOTE: The Following Installation steps apply to the installation of the Tailgate Delete.
PLEASE READ THE ENTIRE MANUAL BEFORE ATEMPTING INSTALLATION!
Ignoring these steps will increase your probability of scratching the vehicle during product installation.

- A. Use 10x 5/16 Button SOC Cap Screw with the 10x Neoprene padded washer, 10x 5/16 hex nut and the 10x flat and lock washers to secure the insert into the ViCowl.

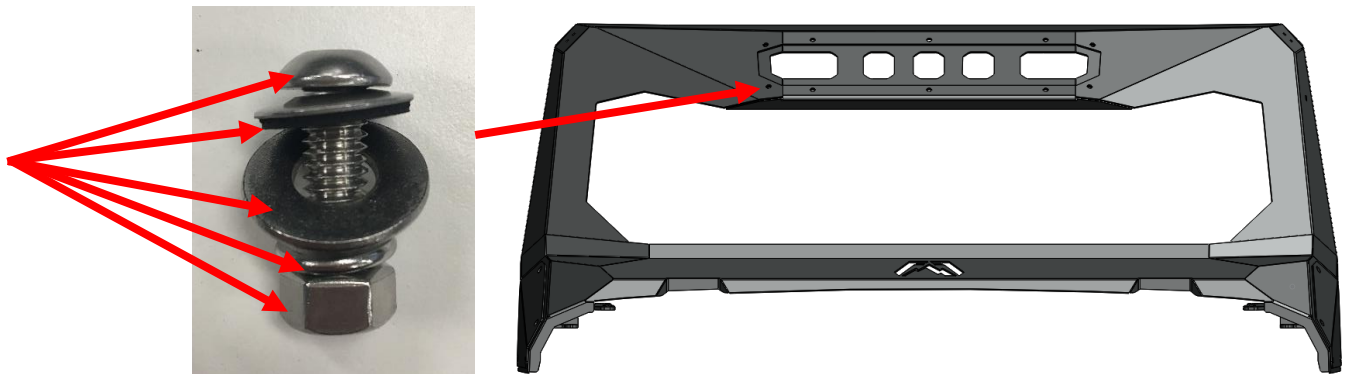


Figure 2

****NOTE: Do NOT remove the center cowl as pictured in Figure 1. The cowl side trim can be removed without removing the center cowl.****





Installation Instructions

ViCowl

Product Number: JL3020

Application: Jeep JL 2018

- B. Take the vicowl brackets and place them on the vehicle as shown in Figure 3. Using the OEM hardware from Figure 1 attach the brackets to the Jeep and mark the drilling locations using a center punch.

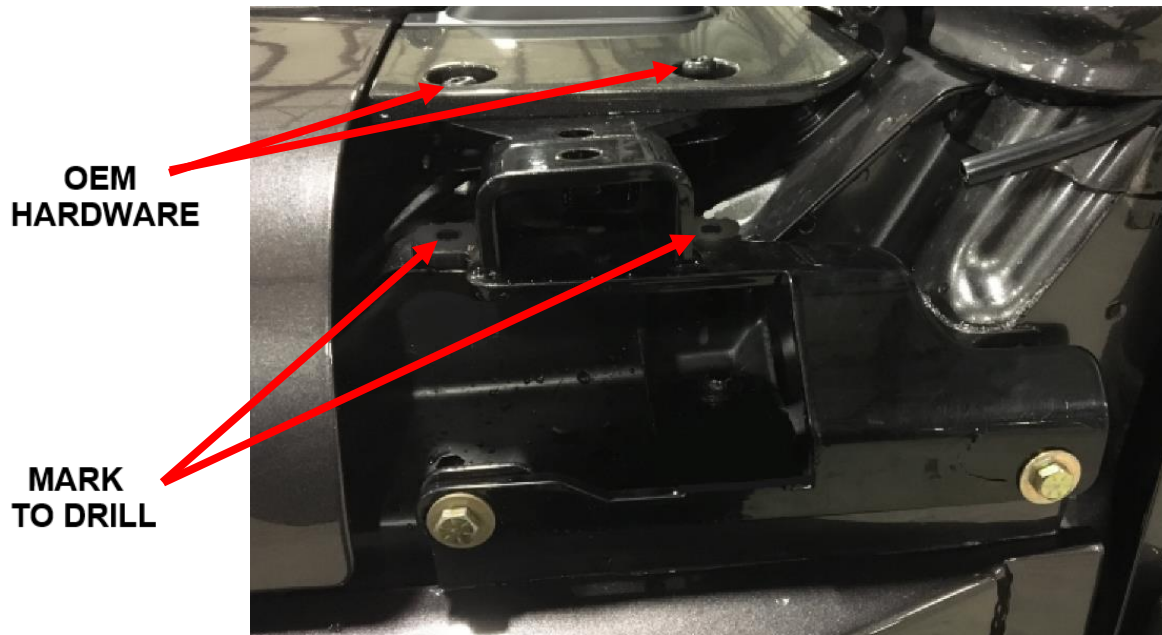


Figure 3

- C. After marking, remove the bracket and drill out the holes starting with an 1/8" drill bit all the way to a 17/32" drill bit.



Installation Instructions

ViCowl

Product Number: JL3020

Application: Jeep JL 2018

IV. Vicowl Installation

- A. Attach the mounting brackets on the vehicle using the OEM Hardware and the 3/8"-16x1/2" bolts with washers and locknuts.

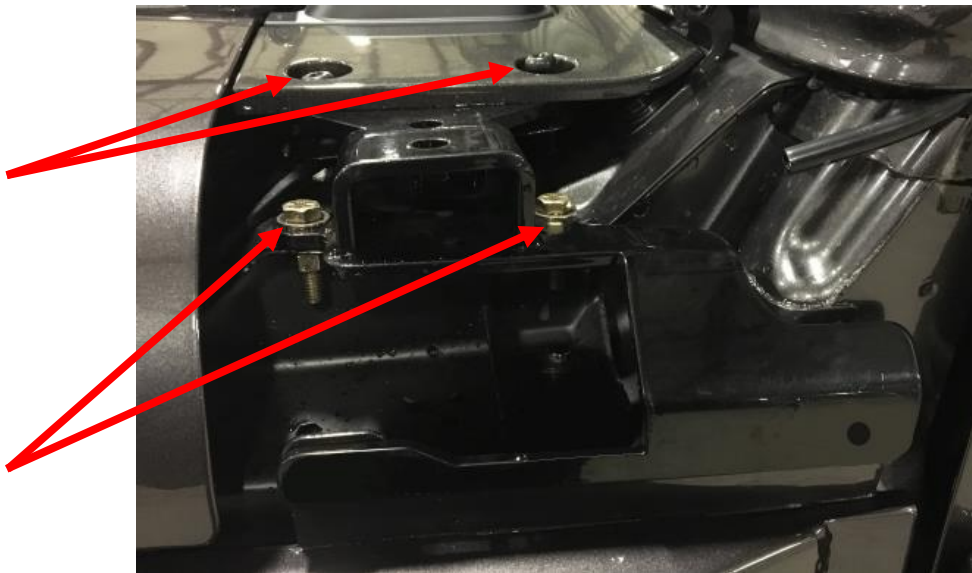


Figure 4



Installation Instructions

ViCowl

Product Number: JL3020

Application: Jeep JL 2018

- B. Place the vicowl on the brackets and use the 3/8"-16x1" bolts with washers and lock washers to attach the vicowl to the brackets.



Figure 5

- C. Take the cover plates and attach it to vicowl using the M8-1.25 bolts with padded washers.



Figure 6

****NOTE: Make sure all bolts are secured before driving the vehicle.****





Installation Instructions

ViCowl

Product Number: JL3020

Application: Jeep JL 2018

V. Maintenance/Care

- Periodically check and tighten all nuts.
- Stripped, fractured, or bent bolts or nuts need to be replaced.

