

RHINO-RACK®

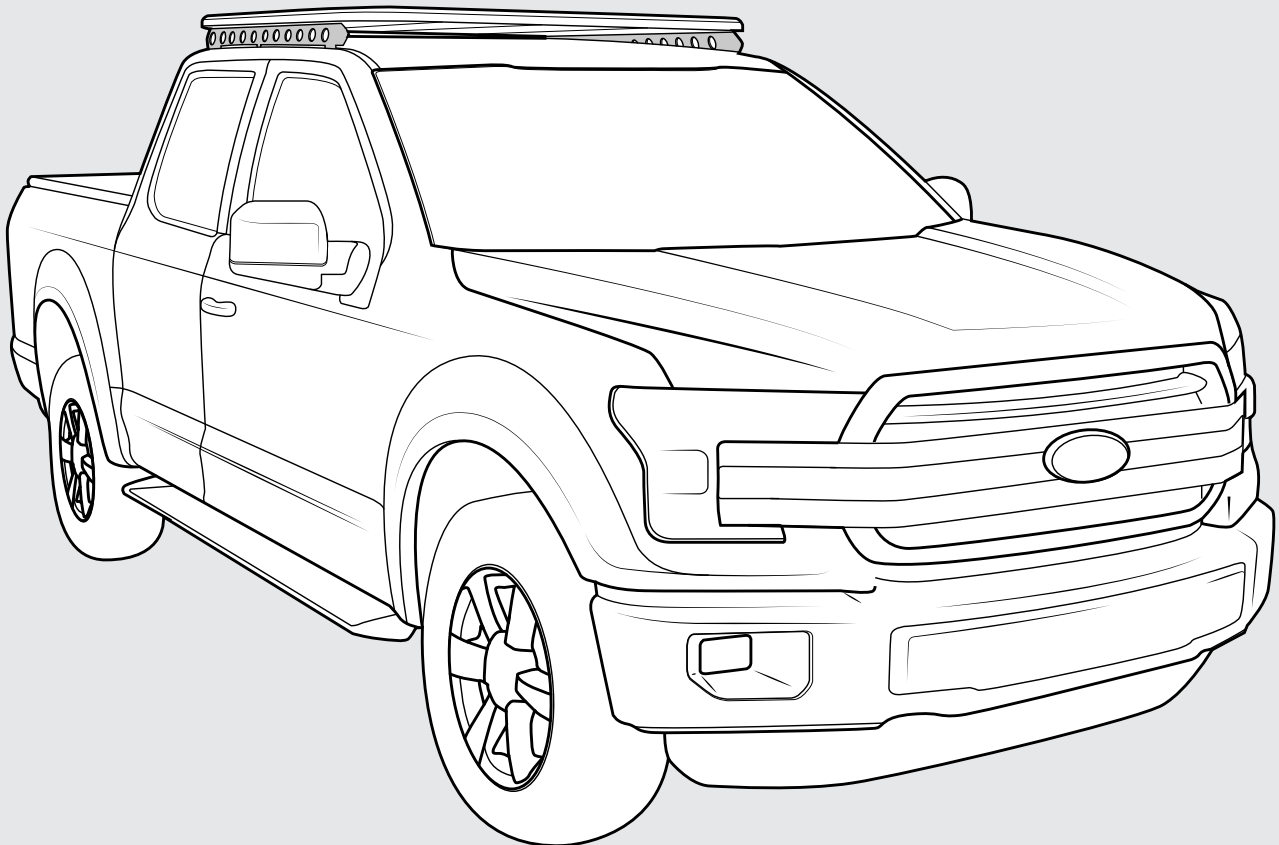
FORD F250/ F350/ F450 Super Crew Backbone

RF2B3

Important:

1. Check the Rhino-Rack website to ensure you have the latest issue of these instructions.
2. Please refer to your fitting instruction to ensure that the roof racks are installed in the correct locations.
3. Check the contents of kit before commencing fitment and report any discrepancies.
4. Place these instructions in the vehicle's glove box after installation is complete.
5. These instructions must be followed for warranty to be upheld.

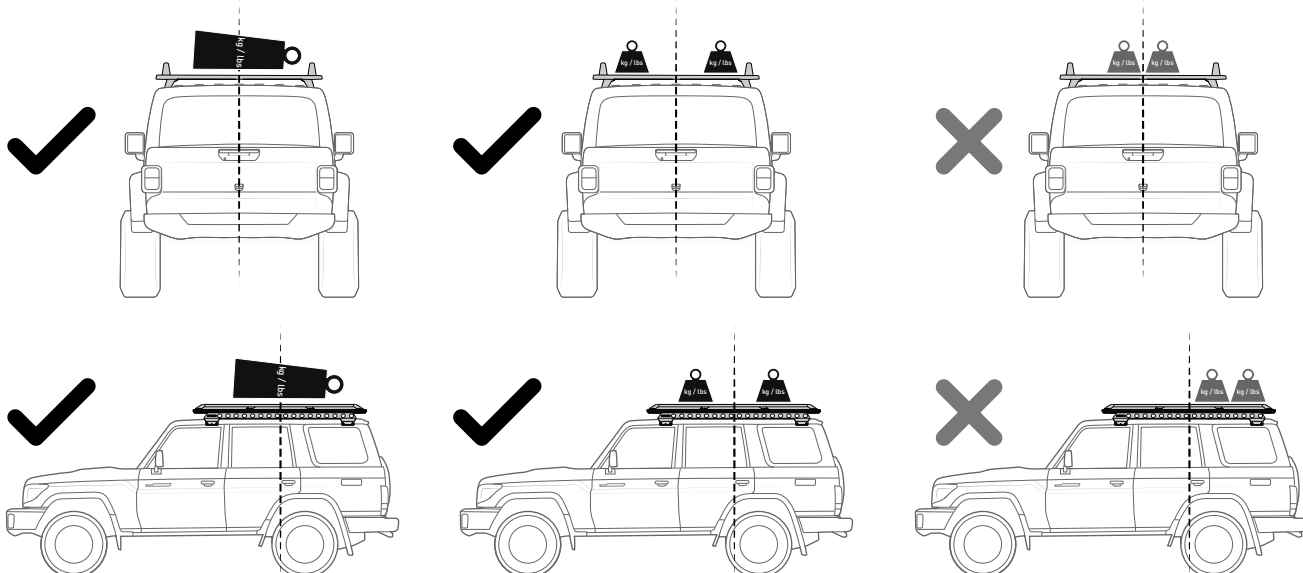
Fit Time: 45 mins



Rhino-Rack AUSTRALIA
22A Hanson Pl,
Eastern Creek, NSW, 2766
(02) 8846 1900
rhinorack.com.au

Rhino-Rack USA
Unit D, 2450 Airport Blvd,
Aurora, CO, 80011
877-744-6622
rhinorack.com

Document No: R2636
Issue No: 02
Issue Date: 15/07/2022

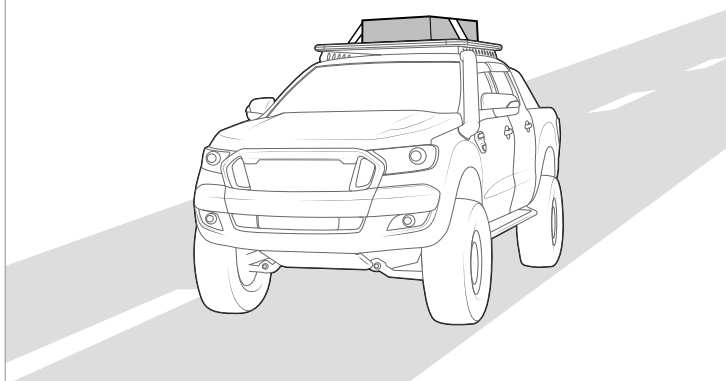


Distribute loads evenly and laterally/longitudinally as low as possible over the span.

Avoid point loads concentrated at the front or rear.

Exercise extreme care when transporting wind-resistant loads. Special consideration must be taken when cornering and braking.

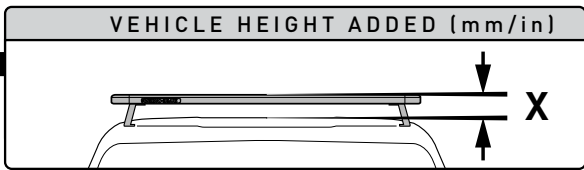
Off-road conditions can be much more rigorous. Extreme care must be taken on any driven path that does not contain a surface protection layer (tar/bitumen).



For additional Pioneer Vehicle Fitting Information refer to your vehicle's online supplement sheet.

RHINO-RACK PIONEER VEHICLE FITTING INFORMATION

VEHICLE	PIONEER	CONNECTOR	HEIGHT ADDED (mm/in)					
			XXX/XX					
VEHICLE NOTES - Do not operate sunroof								
REGION	AUS	NZ	USA	CA	SA	UK	EU	ZA
AVAILABILITY	✓	✓	x	x	x	x	x	✓
RUNNING DATES	2015 -	2015 -	-	-	-	-	-	2015 -



VISIT THE ONLINE CALCULATOR FOR CURRENT SYSTEM LOAD LIMIT DATA

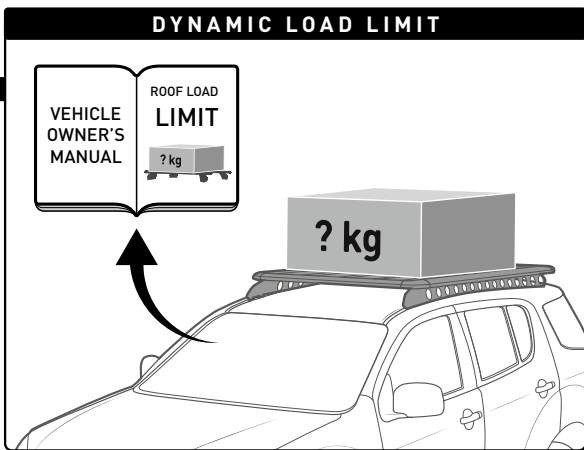
DYNAMIC LOAD LIMIT (ON AND OFF-ROAD)
 *USE THE VEHICLE MANUFACTURER'S MAXIMUM ROOF ALLOWANCE IF IT IS LOWER THAN THE FIGURE LISTED

UP TO XXX Kg / XXX lbs +
 XX Kg / XX lbs =
 UP TO XXX Kg / XXX lbs

OR

*VEHICLE MANUFACTURER'S ROOF LOAD LIMIT

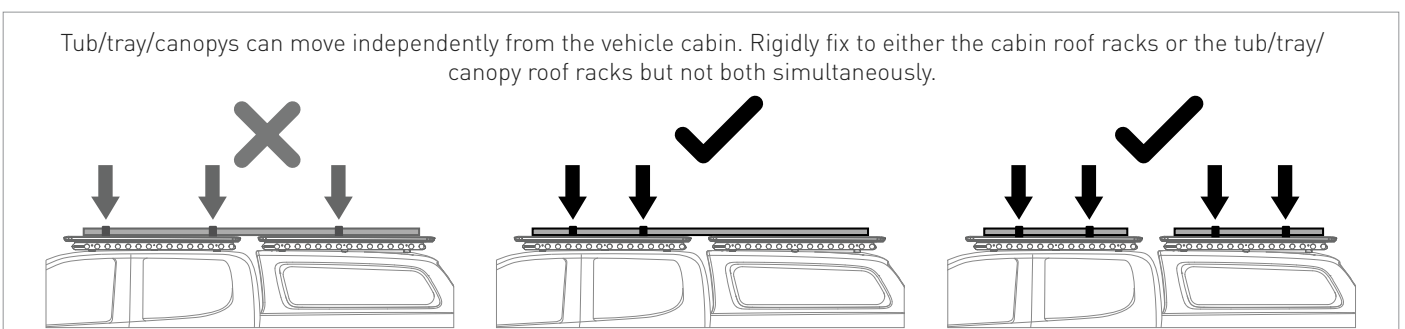
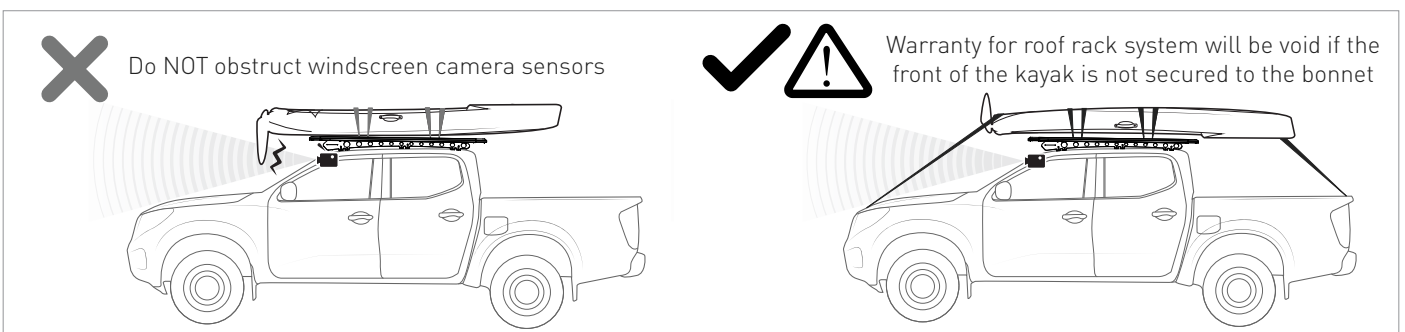
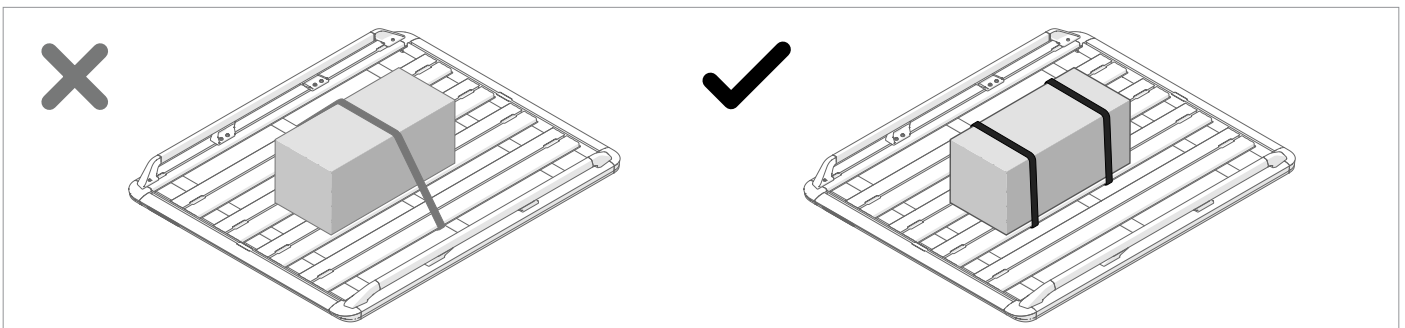
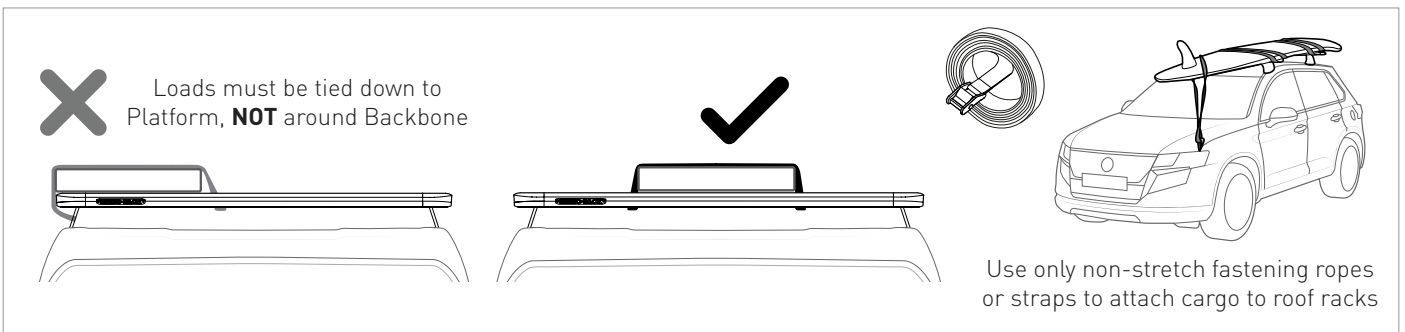
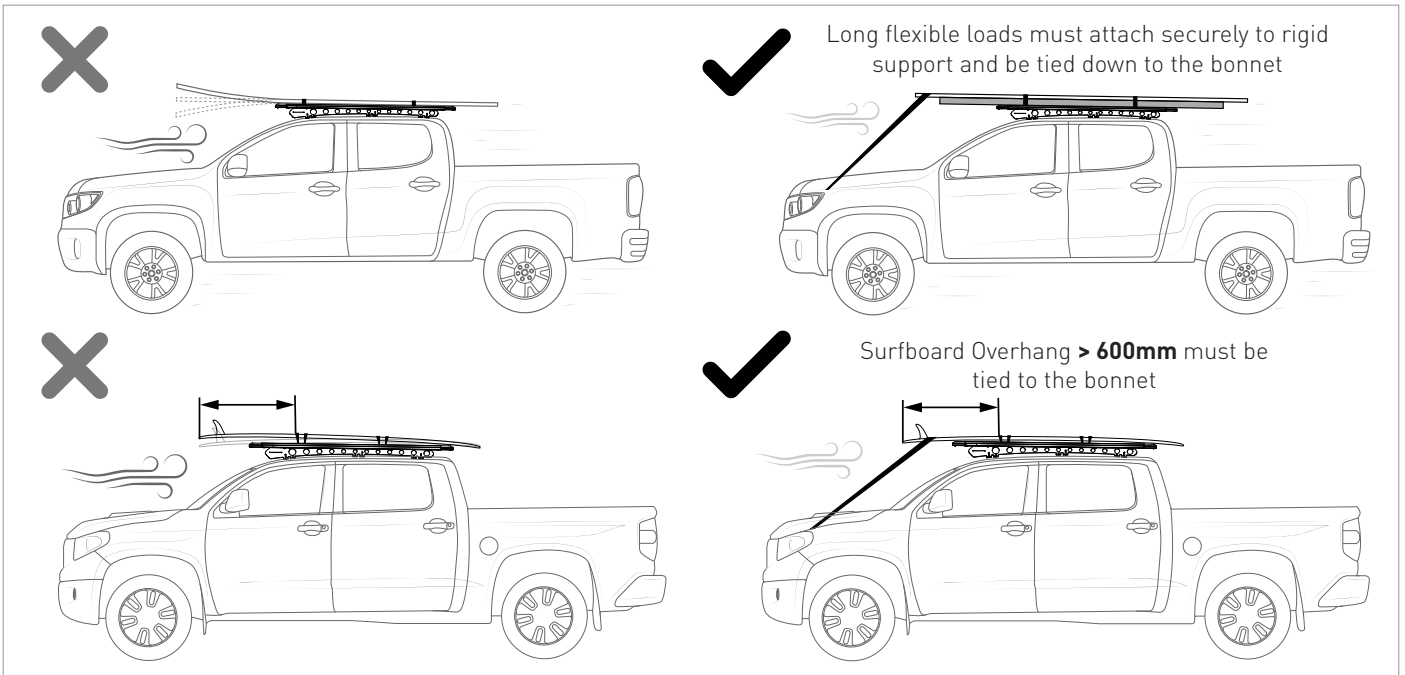
TOTAL STATIC LOAD LIMIT: UP TO

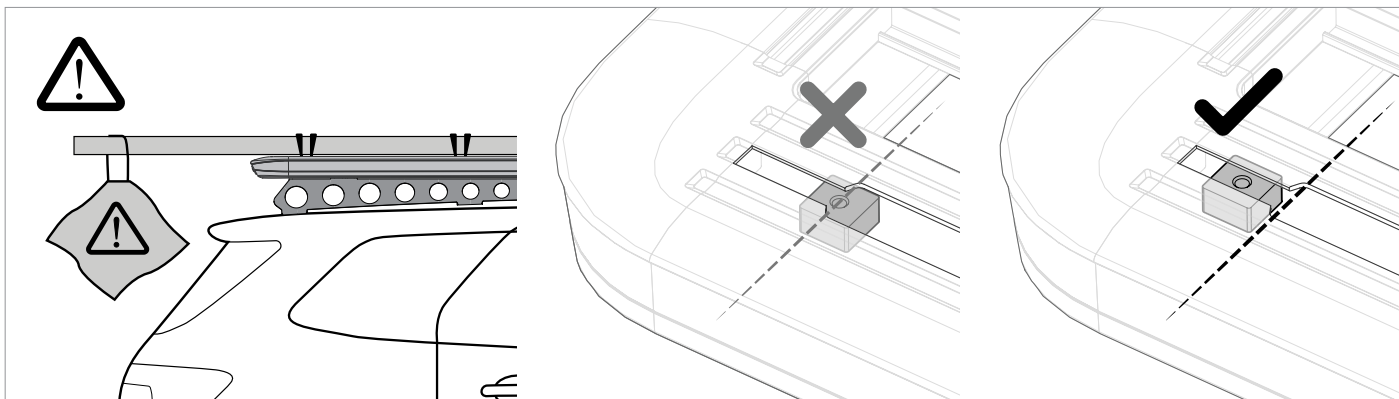
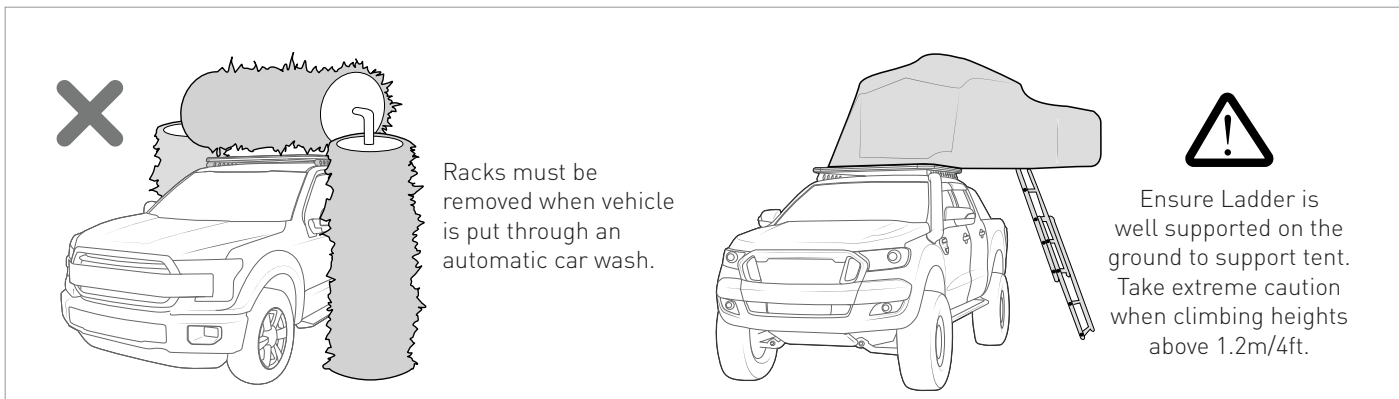


FRONT - REAR +

UNDERBAR SPACING

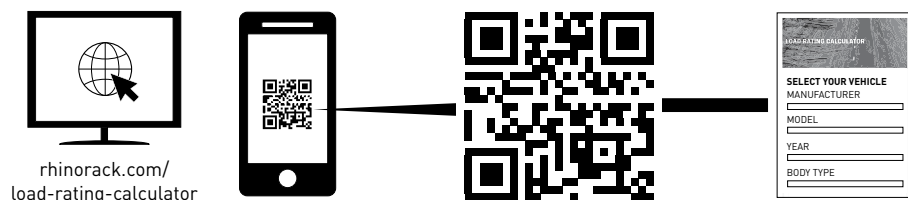
BAR NO.	A	B	C	E	F	G
DIMENSION (CM)						
SPACERS REQ'D						
CONNECTOR	BACKBONE		BACKBONE		BACKBONE	





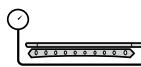
Carrying Capacity

Check the website and the vehicle owners hand book for your vehicle manufacturer's maximum carrying capacity. Load must be evenly distributed over the system.



Cargo Load Limit

Total permissible weight allowed on top, and attached to the rack whilst the vehicle is in motion.



System Weight

Total weight of the rack system. (e.g. Crossbars, Backbone, Platform)



Max System Load Capacity

Please ensure you use the vehicle manufacturer's maximum roof allowance if it is lower than the figure listed in the fitting chart/supplement.



Vehicle Manufacturer's Load Limit

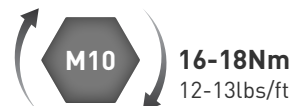
Total permissible weight attached to the rack. This is inclusive of the weight of the rack system.

In service maintenance checks

- All bolt connections should be checked after driving a short distance when you first install your roof racks.
- All bolted connections should be checked again at regular intervals (weekly is recommended, depending on road conditions, usage, loads and distances travelled).
- All bolted connections should be checked each time they are re-fitted.
- Off-road conditions are more rigorous. Check all bolted connections and your load more regularly.
- Ensure that your vehicle manufacturer's GVM, and gross axle weights are not exceeded (refer to vehicle owner's manual).

Torque Settings:

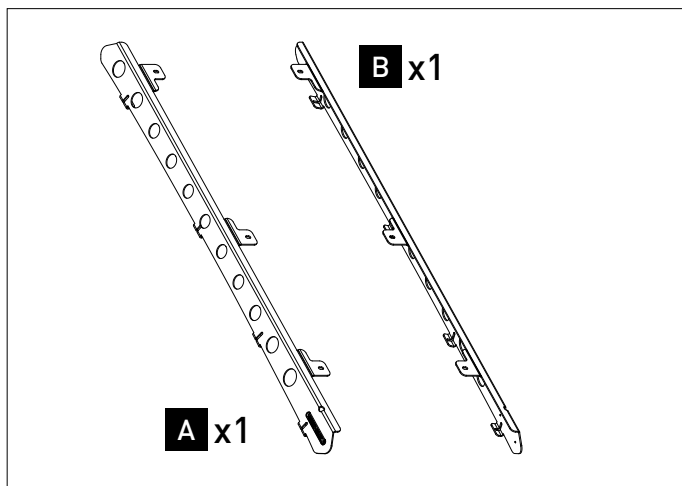
Unless stated otherwise in these instructions, all fasteners should be set to the following torque settings:



Note for Dealers and Fitters

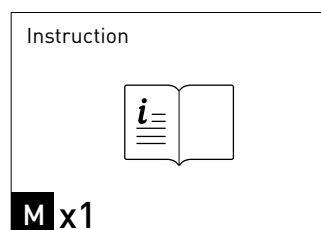
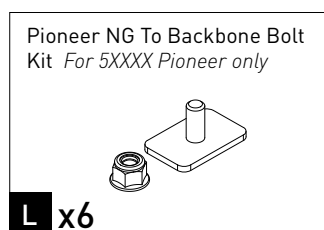
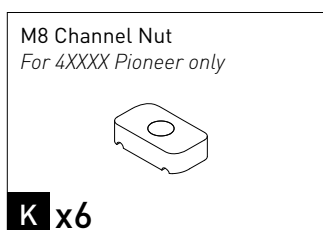
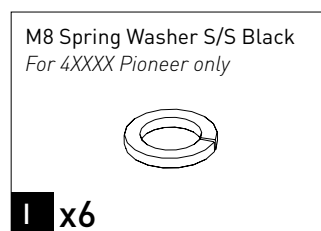
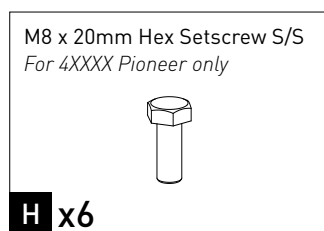
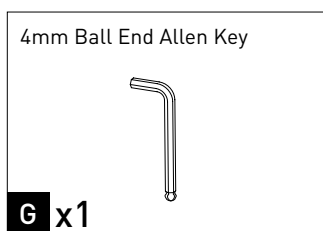
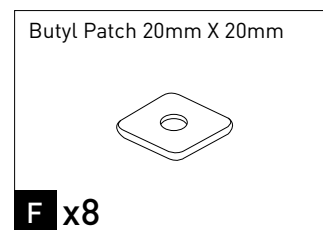
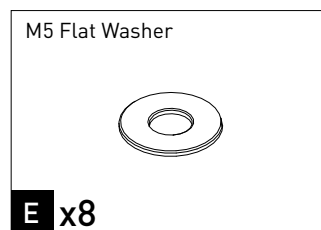
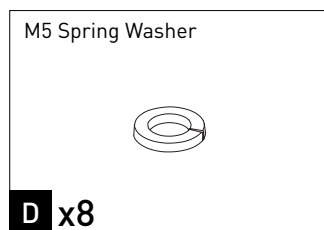
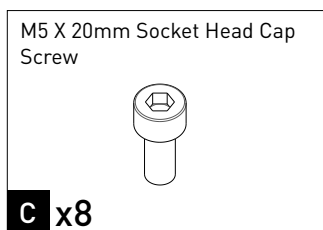
It is your responsibility to ensure these fitting instructions are given to the end user or client. These instructions remain the property of Rhino-Rack Australia Pty. Ltd. and may not be used or changed for any other purpose than intended.

Parts List

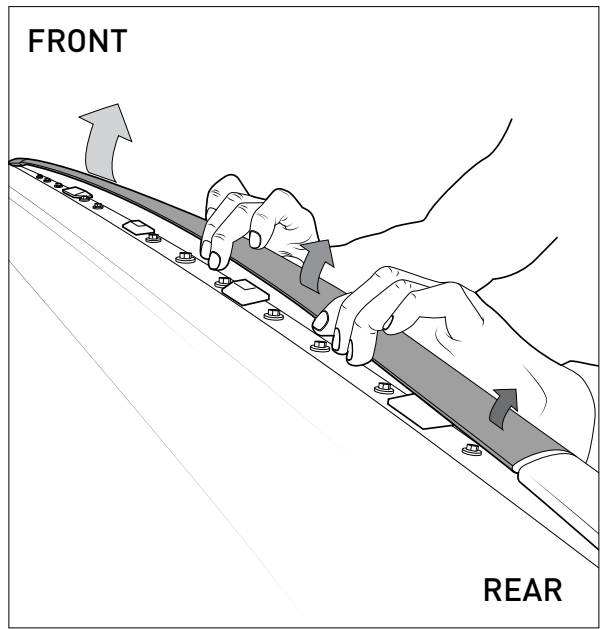
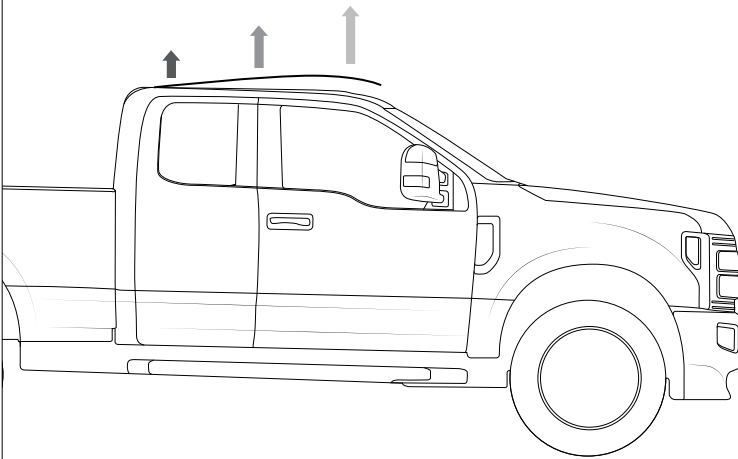


Tools Required:

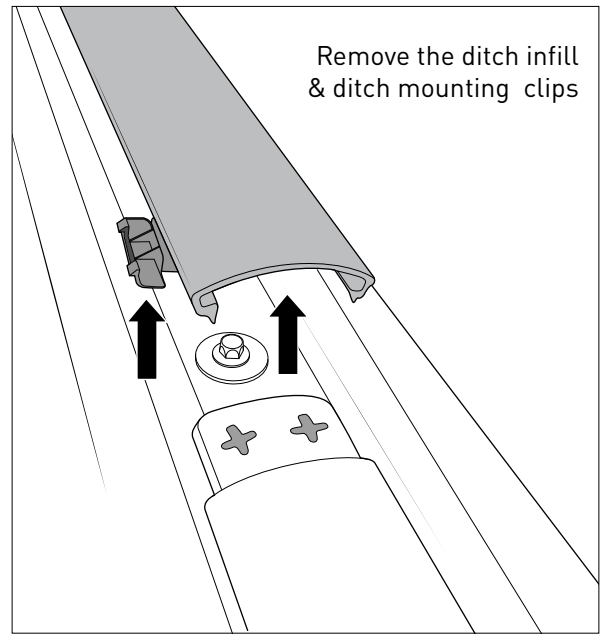
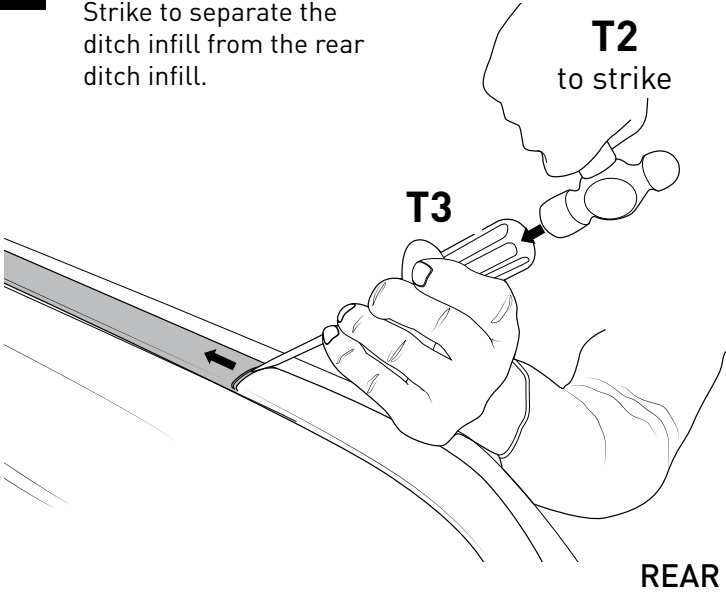
- T1** - 7mm (1/4") Socket Wrench
- T2** - Hammer
- T3** - Flat head Screwdriver
- T4** - Silicone
- T5** - 13mm (1/2") Wrench/Spanner



1 Carefully detach the ditch infill from the ditch clips beginning from the front of the vehicle

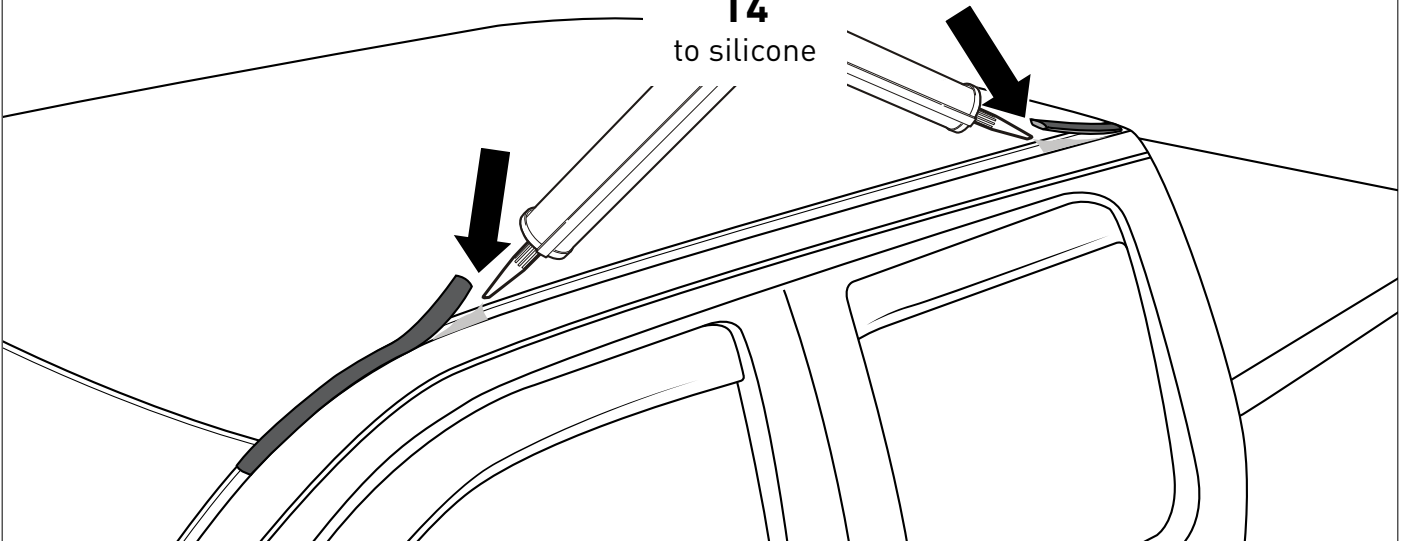


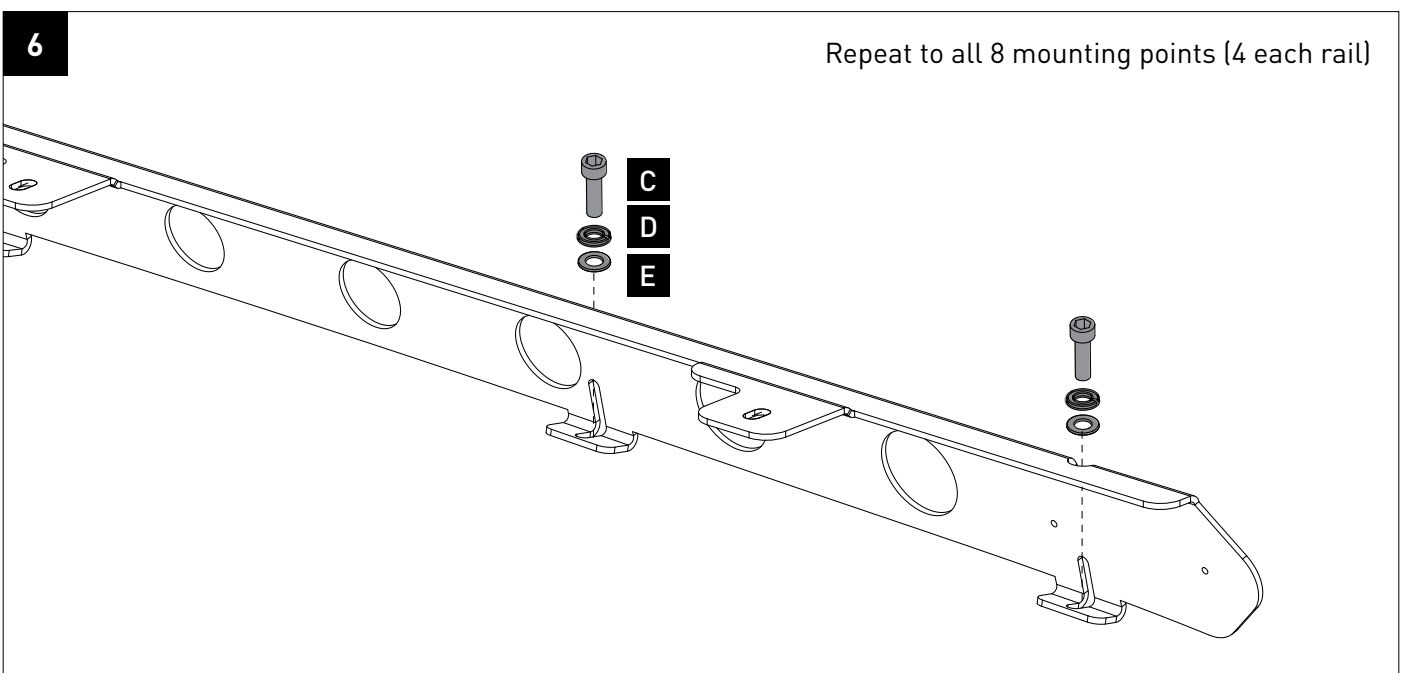
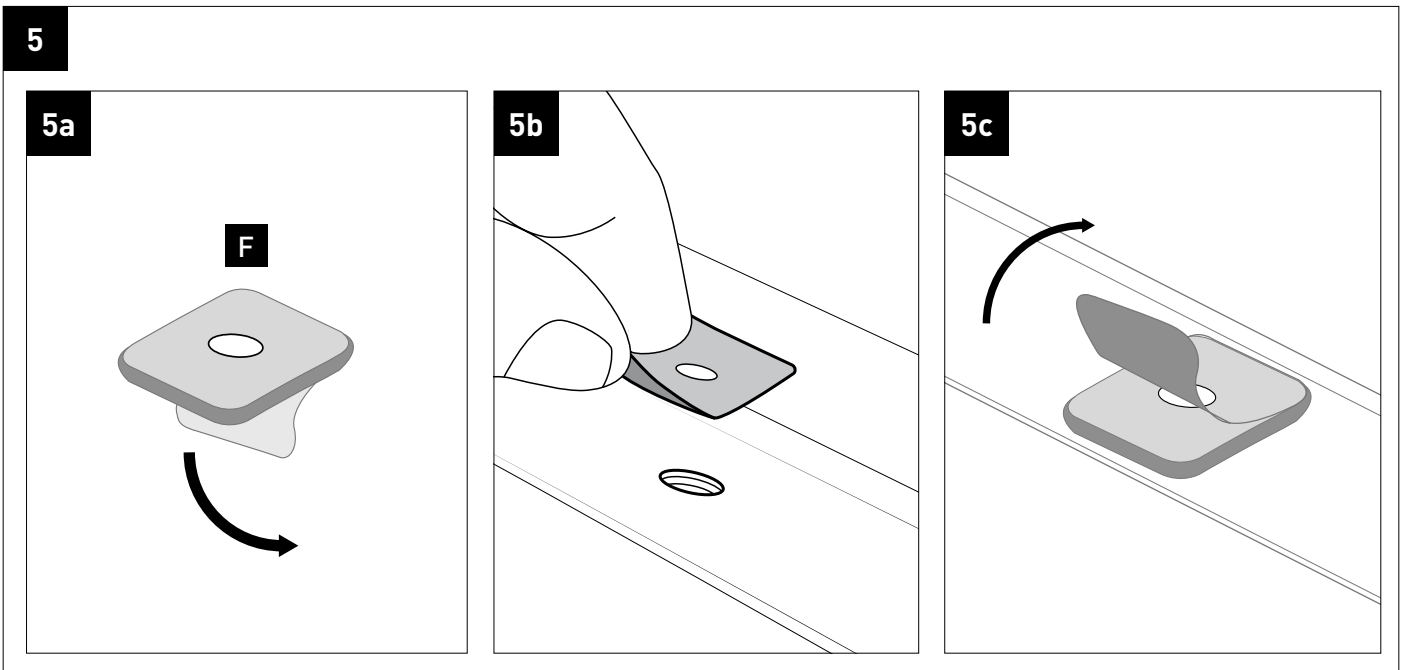
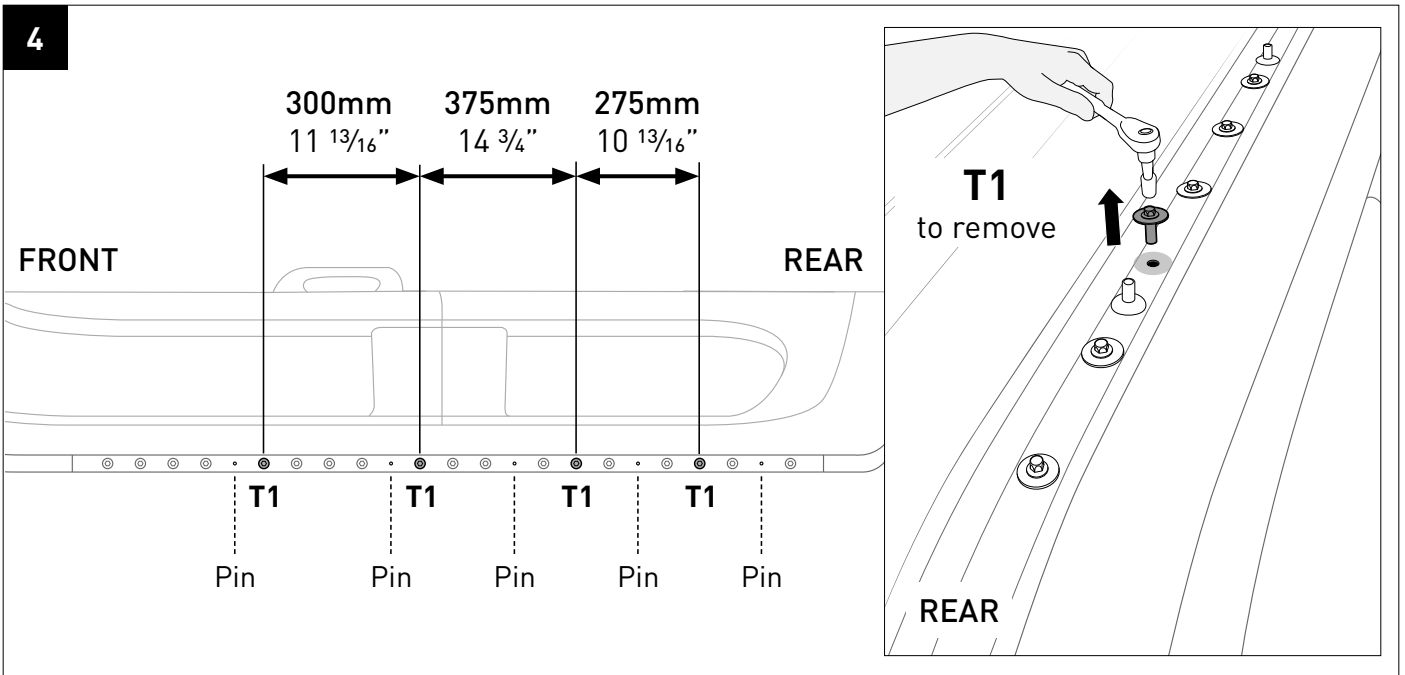
2 Strike to separate the ditch infill from the rear ditch infill.



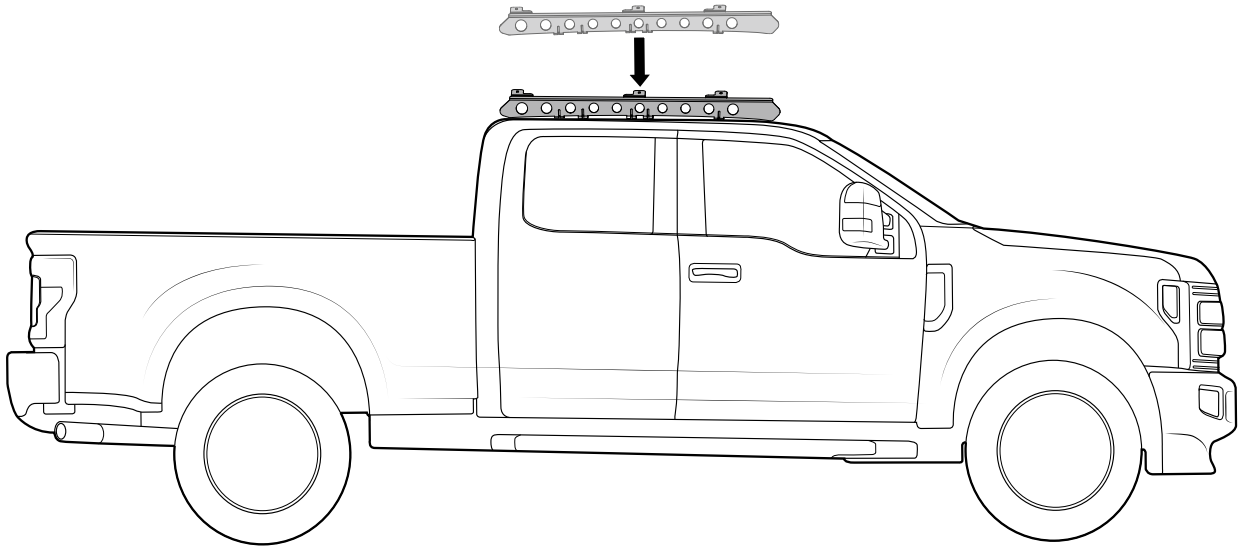
3

T4
to silicone

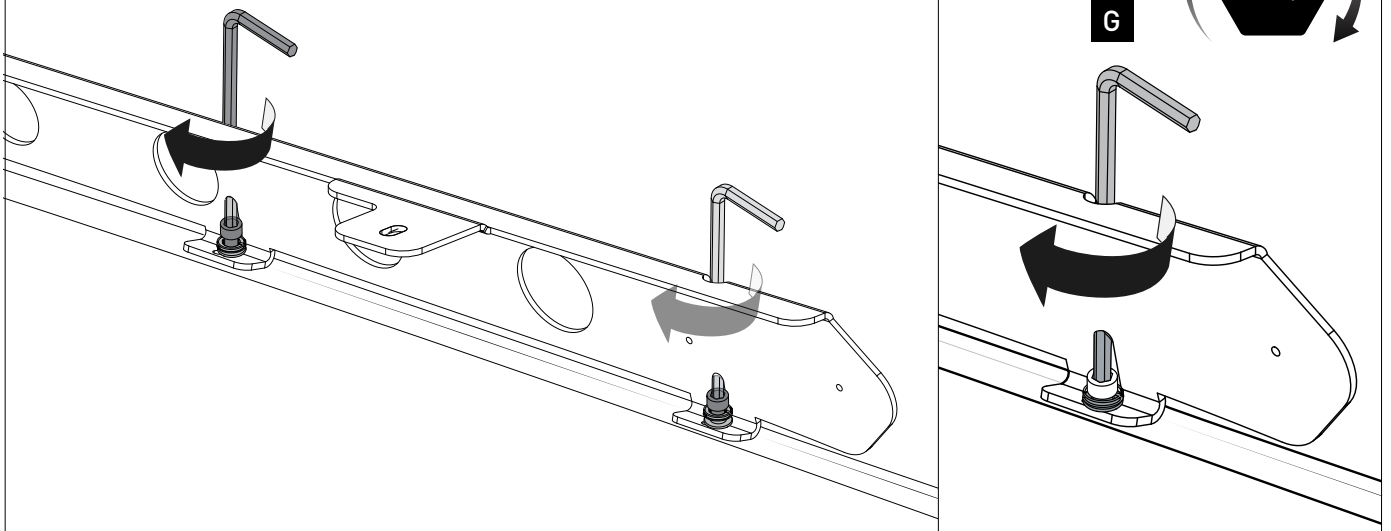




7



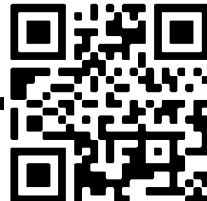
8 Rotate each screw along the backbone three turns at a time beginning from the front of the vehicle



9 PLATFORM INSTALLATION



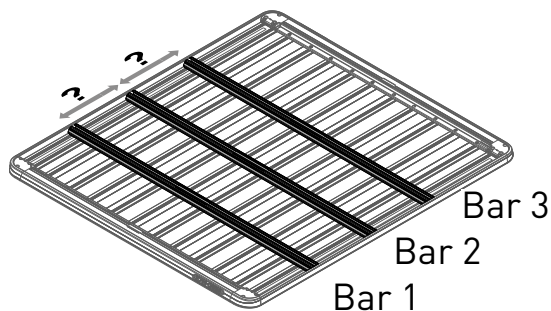
rhinorack.com/roof



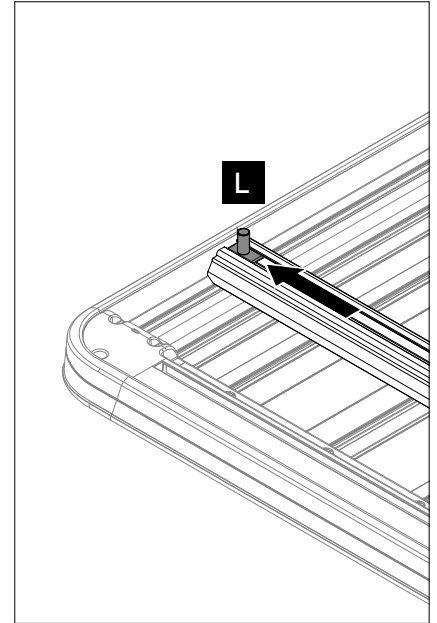
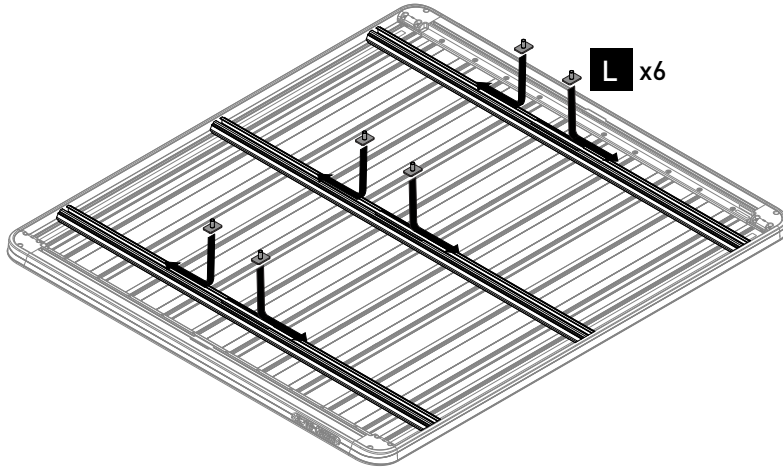
EXAMPLE ONLY

RHO-RACK PIONEER VEHICLE FITTING INFORMATION	
Model	
Year	
Capacity	58 Kg + 24 Kg = 82 Kg 132 lbs + 53 lbs = 185 lbs
Weight	120 Kg 265 lbs
Max. Load	212 Kg 468 lbs
Max. Height	2.00 m 6.56 ft
Max. Length	2.00 m 6.56 ft
Max. Width	1.50 m 4.92 ft
Max. Depth	0.50 m 1.64 ft
Max. Weight	120 Kg 265 lbs
Max. Height	2.00 m 6.56 ft
Max. Length	2.00 m 6.56 ft
Max. Width	1.50 m 4.92 ft
Max. Depth	0.50 m 1.64 ft

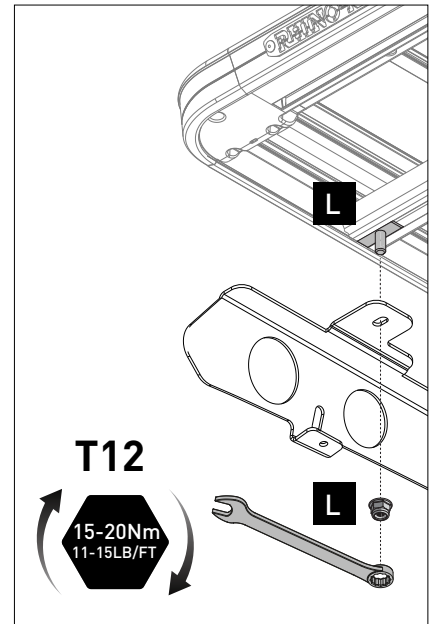
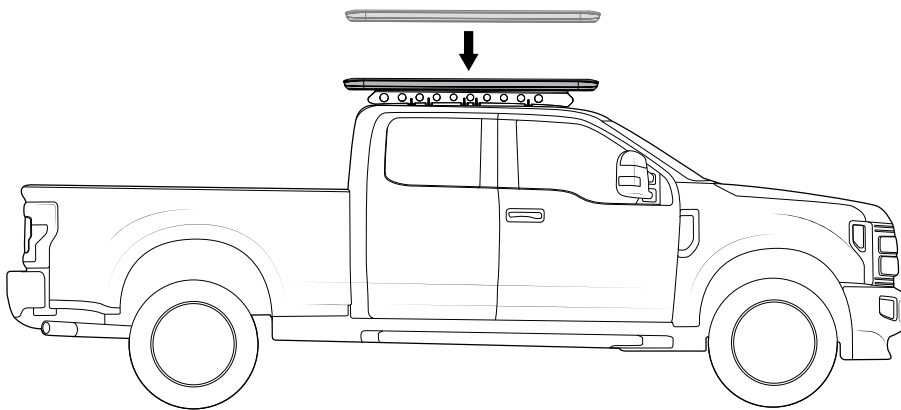
View Fitting Chart



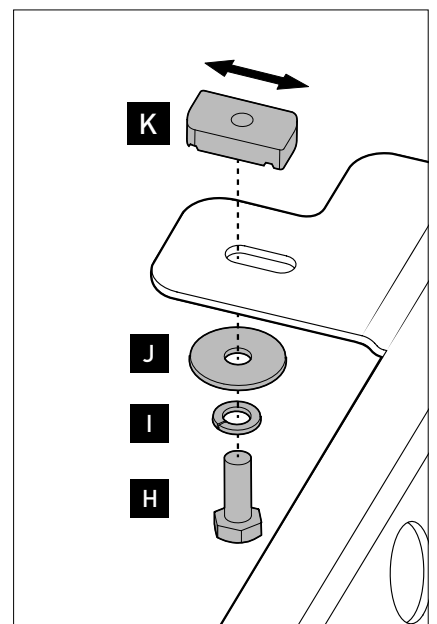
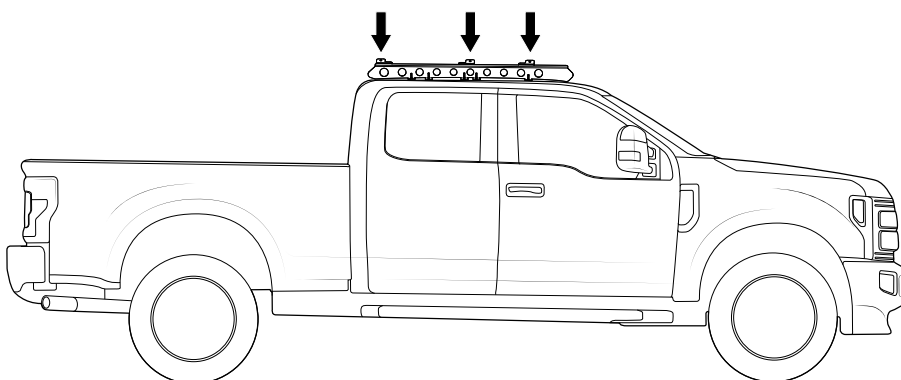
10 For 5XXXX Series Platform



11 For 5XXXX Series Platform



12 For 4XXXX Series Platform



13 For 4XXXX Series Platform



Ensure channel nut has rotated within Pioneer underbar and is fixing Pioneer securely.

