

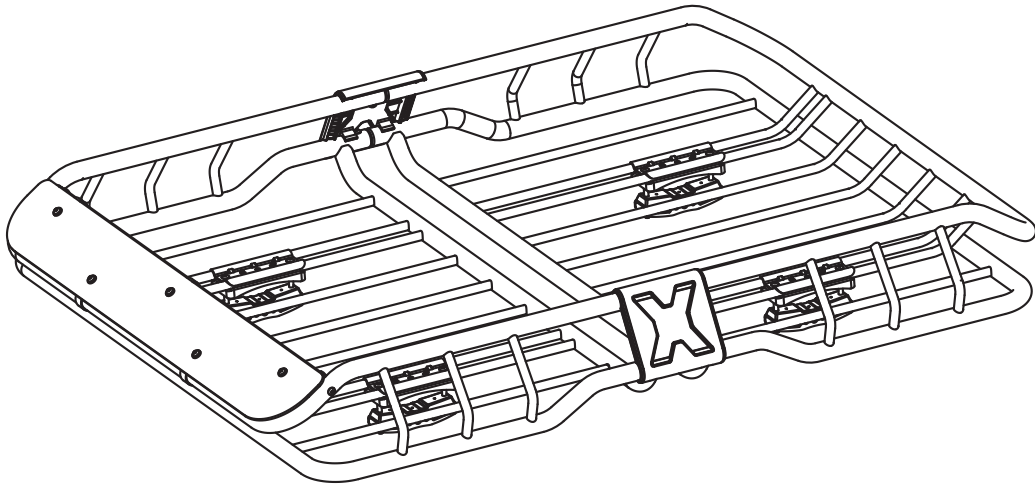


# RHINO-RACK

## XTray Small (RMCB01)

**Important:** Please read these instructions carefully prior to installation. Please refer to your fitting instruction to ensure that the XTray is installed in the correct locations. Check the contents of kit before commencing fitment and report any discrepancies. Place these instructions in the vehicle's glove box after installation is complete.

### Layout



**XTRAY** SML

**Maximum load carrying capacity: 165lbs / 75kg**

### Important Information

#### IMPORTANT INFORMATION

**Maximum carrying capacity: 165lbs (75kg) including the weight of the basket 31lbs (14 kg).**

Please refer to your vehicle manufacturers handbook for maximum carrying capacity. Always use the lower of the two figures. Load must be evenly distributed over the entire basket.

**Warning:** Do not attempt to fit the Xtray to your vehicle unless you fully understand these fitting instructions. Please direct any questions regarding fitting to the dealer from where the roof racks were purchased.

**Use only non-stretch fastening ropes or straps.**

**Recommendations:** It is essential that all bolt connections be checked after driving a short distance when you first install your roof racks. Bolt connections should be checked again at regular intervals (once a week is enough, depending on road conditions, usage, loads and distances travelled). You should also check the roof racks each time they are re-fitted. Always make sure to fasten your load securely. Please also ensure that all loads are evenly distributed and that the centre of gravity is kept as low as possible and must be entirely contained within the extents of the basket.

**The XTray must be removed when putting vehicle through an automatic car wash.**

**Caution:** The handling characteristics of the vehicle changes when you transport a load on the roof. For safety reasons we recommend you exercise extreme care when transporting wind-resistant loads. Special consideration must be taken into account when cornering and braking.

#### **Off-road use:**

The XTray may be used in off road applications, however a safety factor of 1.5 is enforced. Please see page 5 for an example on how to calculate the maximum permissible load.

#### **Note for Dealers and Fitters:**

It is your responsibility to ensure these fitting instructions are given to the end user or client.

Rhino-Rack  
3 Pike Street, Rydalmere,  
NSW 2116, Australia.  
(Ph) (02) 9638 4744  
(Fax) (02) 9638 4822

Document No: R113  
Prepared By: Andy Wana  
Authorised By: Chris Murty

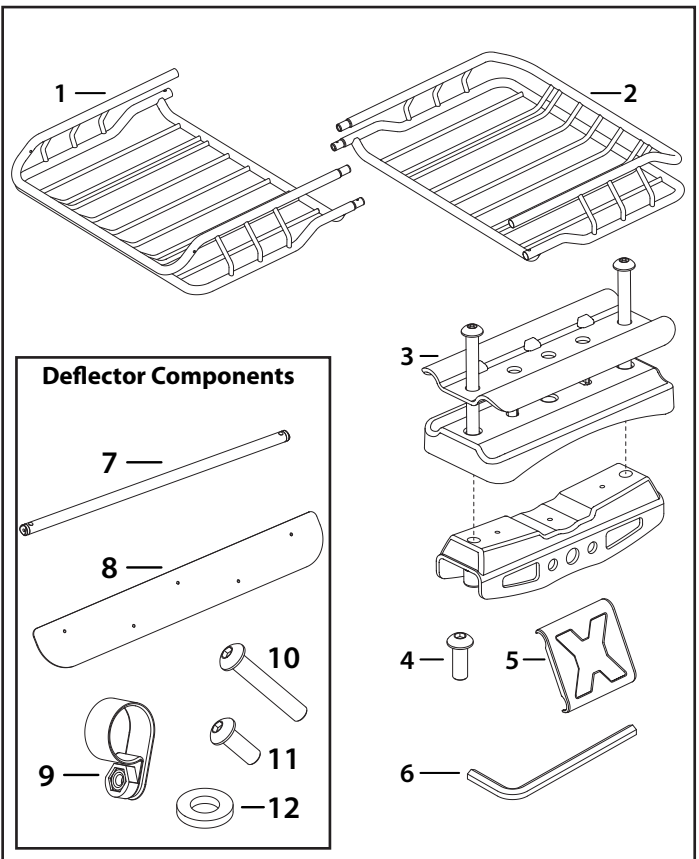
Issue No: 03  
Issue Date: 19/12/2012

These instructions remain the property of Rhino-Rack Australia Pty. Ltd. and may not be used or changed for any other purpose than intended.

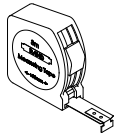


## Parts List

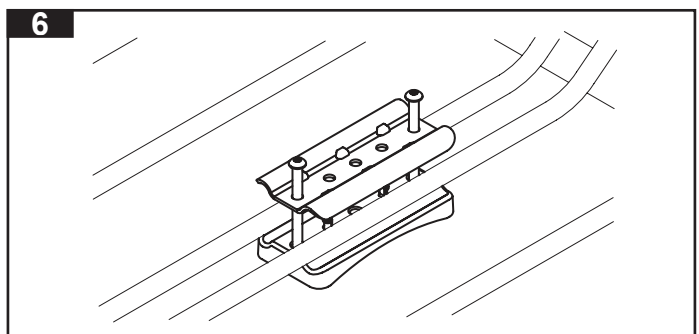
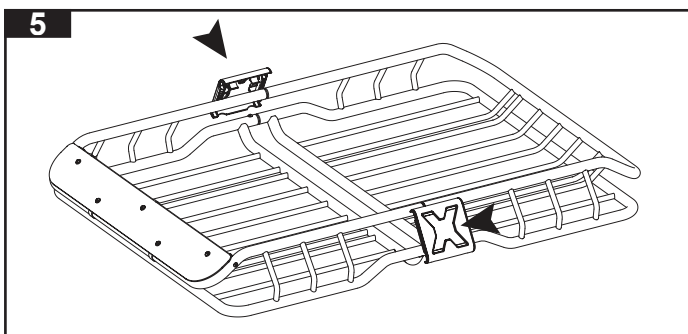
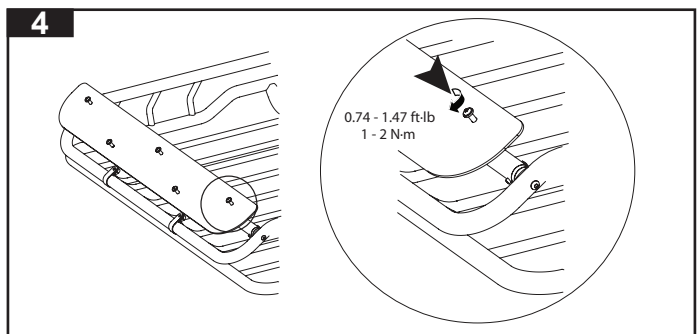
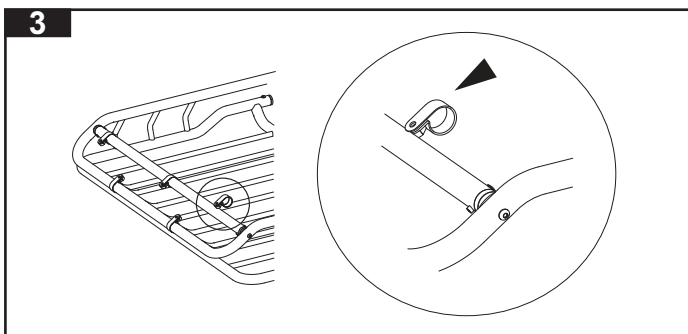
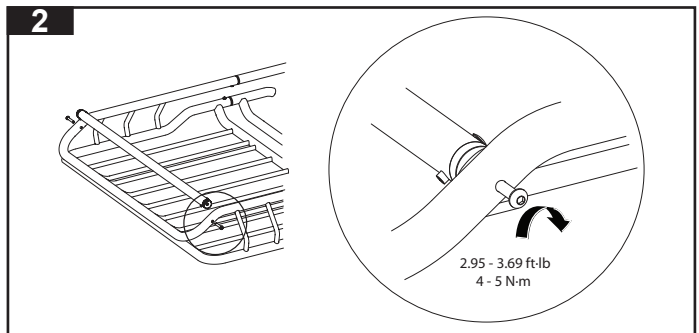
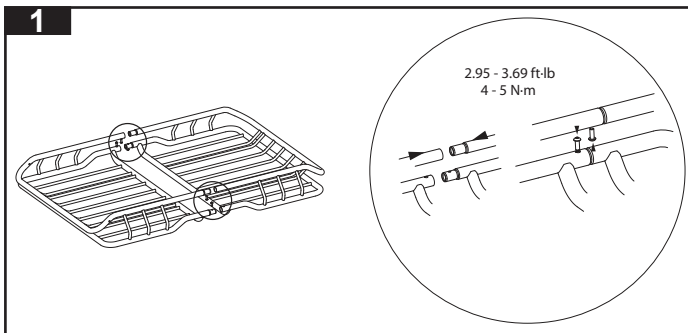
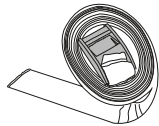
Item	Component Name	Qty
<b>Basket Components</b>		
1	Half Basket - Front	1
2	Half Basket - Rear	1
3	Mounting Kit	4
4	M6 x 16mm Screw	4
5	Side Covers	2
6	Allen Key	1
<b>Deflector Components</b>		
7	Front Bar	1
8	Deflector	1
9	Deflector Clamp	5
10	M6 x 35mm Screw	2
11	M6 x 16mm Screw	5
12	Washer	5
13	Fitting Instructions	1



### Tools Required



### Optional Accessories

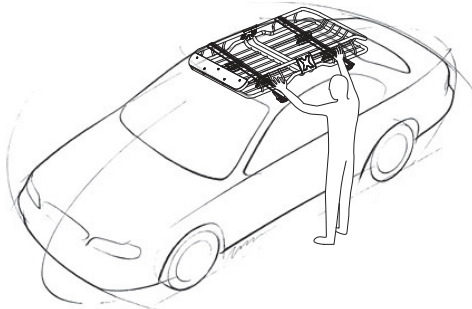




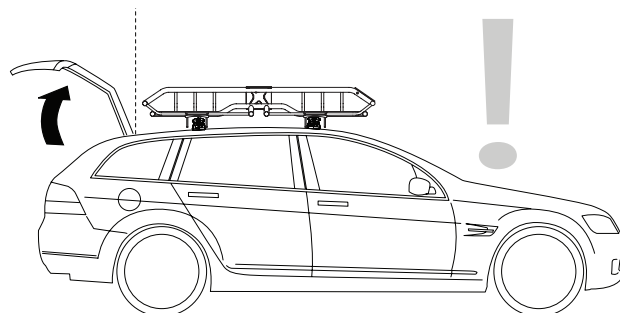
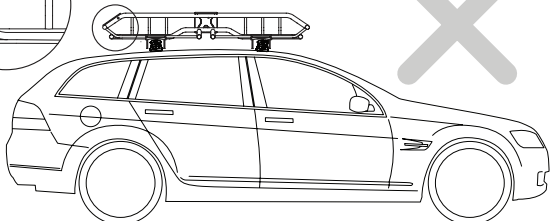
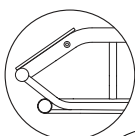
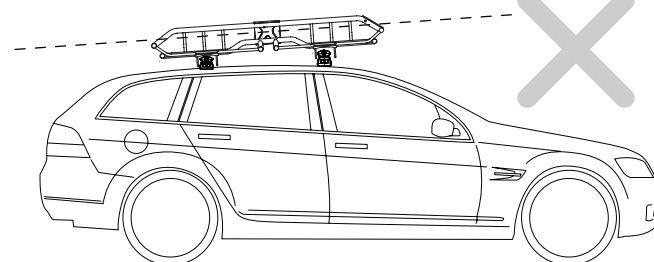
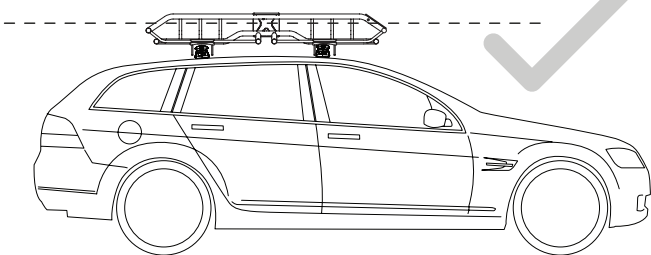
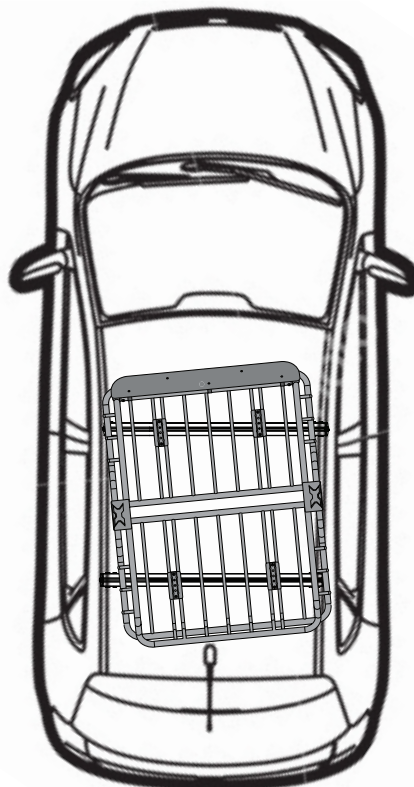
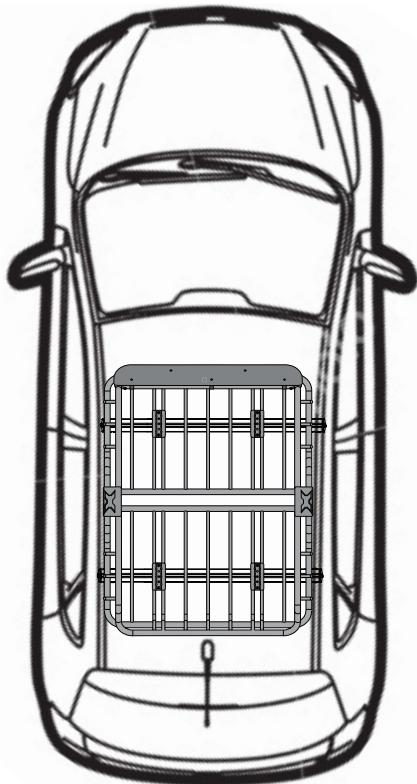
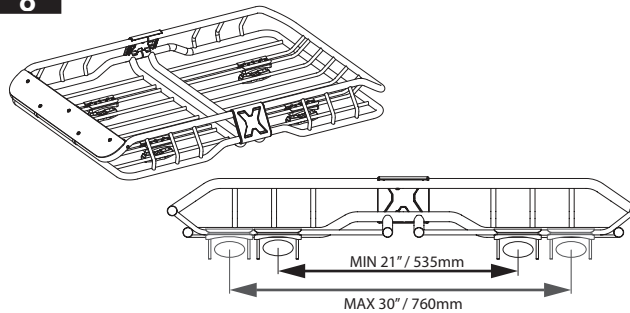
# XTray Small (RMCB01)

# XTRAY<sup>SML</sup>

7

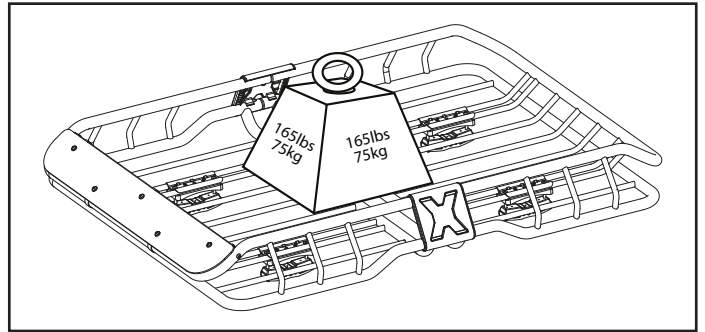
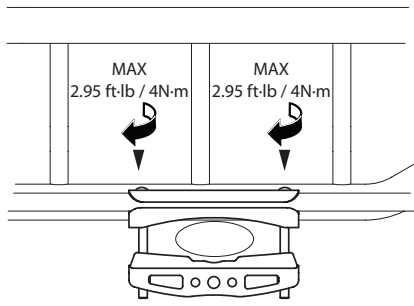


8

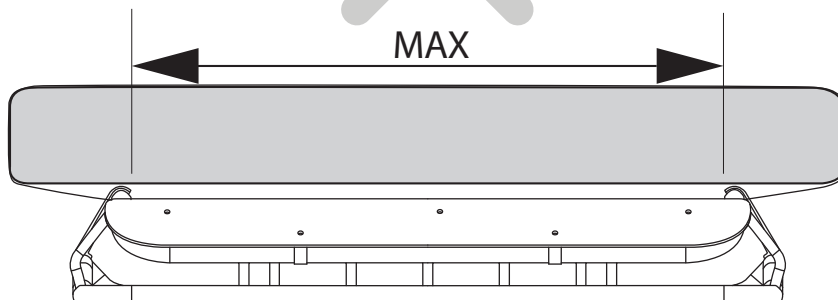
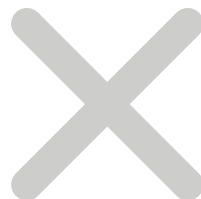
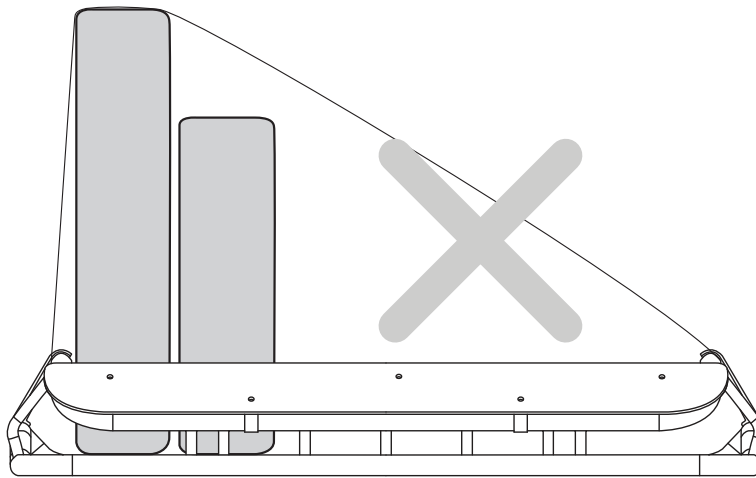
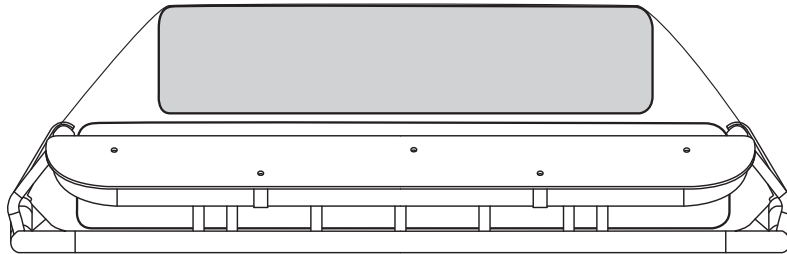




9



**WARNINGS**





### Important information:

**Maximum load capacity :** Maximum permissible load is dependent on the vehicle carrying capacity

**Please Note:** In extreme off road conditions, the load limit has a built in safety factor of 1.5.

**Eg. Maximum allowable load is  $60\text{kg} \div 1.5 = 40\text{kg}$ .**

### Note for Dealers and Fitters:

· It is your responsibility to ensure the instructions are given to the end user or supplier.

### Caution:

· Take note of the change in overall vehicle height, as the addition of the XTray may prevent access to low entrances.

· Bolt connections should be checked at regular intervals (once a week is enough, and is dependent on road conditions, usage, loads and distance travelled).

### Maintenance:

· Bolts should be cleaned and lubricated at regular intervals.

· Rhino-Rack offers a 3 year Warranty to the original purchaser of the XTray

· Rhino-Rack cannot be held responsible for incorrect mounting of the Xtray or for usage that exceeds production tolerances.

· Make sure to fasten the load securely. Ensure that all loads are evenly distributed in the XTray and that the centre of gravity is kept as low as possible.

· It is recommended that the XT ray be cleaned before storing it for extended periods.

### Use only non-stretch fastening ropes and straps.

### SENSITIVITY TO CROSS WINDS, BEHAVIOUR IN CURVES AND BRAKING

The handling of your car changes when you transport a load on the roof. For safety reasons, we recommend you exercise extreme care when transporting wind resistant loads. Special consideration must always be taken into account when braking.