



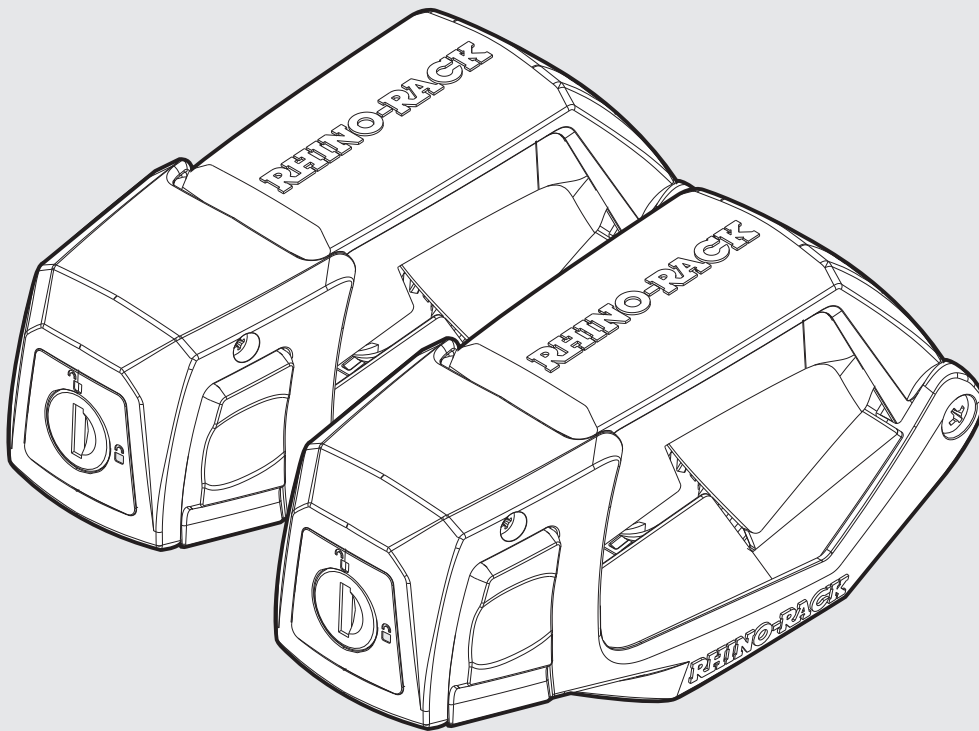
RHINO-RACK®

Stow-It - RSIT

Important:

1. Check the Rhino-Rack website to ensure you have the latest issue of these instructions.
2. Please refer to your fitting instruction to ensure that the accessory is installed in the correctly.
3. Check the contents of kit before commencing fitment and report any discrepancies.
4. Place these instructions in the vehicle's glove box after installation is complete.
5. These instructions must be followed for warranty to be upheld.

Fit Time: 10 min



Rhino-Rack

22A Hanson Pl, Eastern Creek
NSW 2766, Australia
(+61) 8846 1900
rhinorack.com

Document No: R2468
Issue No: 02
Issue Date: 13/01/2021

Instructions

Carrying Capacity

Max system load capacity

The max load permissible is **8kg/18lbs evenly spaced between the two carriers. Diameter clamping width, 10-50mm.**

Torque Settings

Unless stated otherwise in these instructions, all fasteners should be set to the following torque settings - M6: 4-5Nm (3-4lbs/ft).

Warning

- Do not attempt to fit the accessory to your vehicle unless you fully understand these fitting instructions. Please direct any questions regarding fitting to the dealer from where the product was purchased.
- Although the accessory is tested and approved to AS1235-2000 / ISO 11154, off-road conditions can be much more rigorous.
- Extreme care must be taken in off road conditions.
- Accessory must be removed when vehicle is put through an automatic car wash.
- Always ensure you fasten your load securely.
- Ensure product is locked before driving.

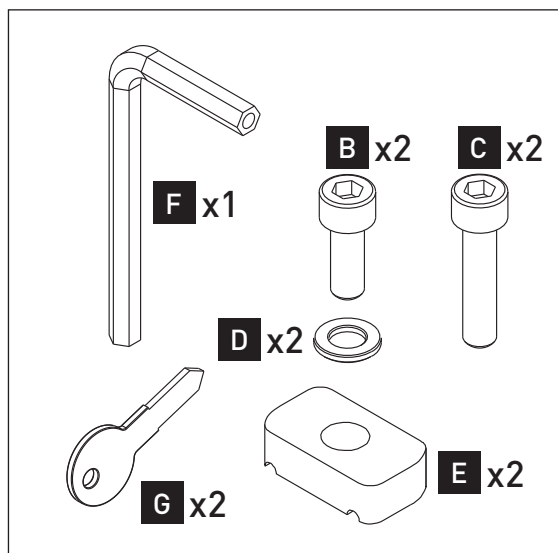
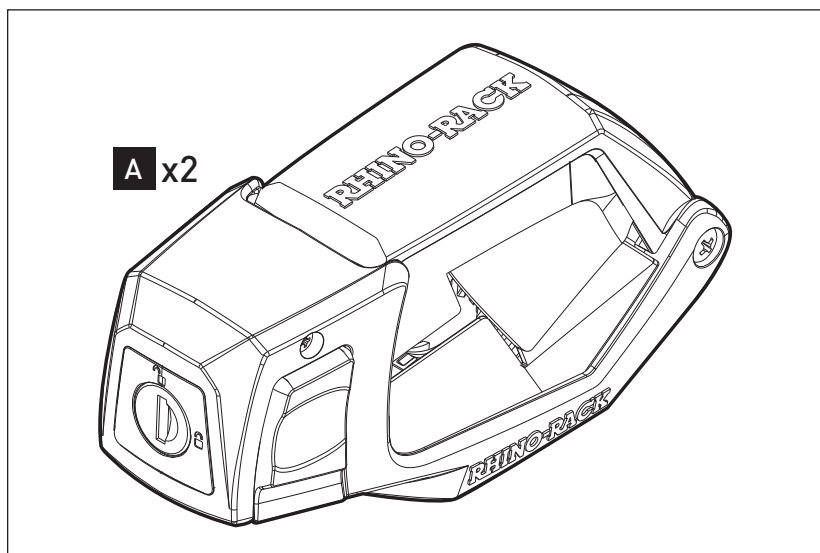
In service maintenance checks

- All bolted connections should be checked after driving a short distance when you first install your roof racks & accessories.
- All bolted connections should be checked again at regular intervals (every 1000k (621mi) is recommended, depending on road conditions, usage, loads and distances travelled). All bolted connections should be checked each time they are re-fitted.

Note for Dealers and Fitters

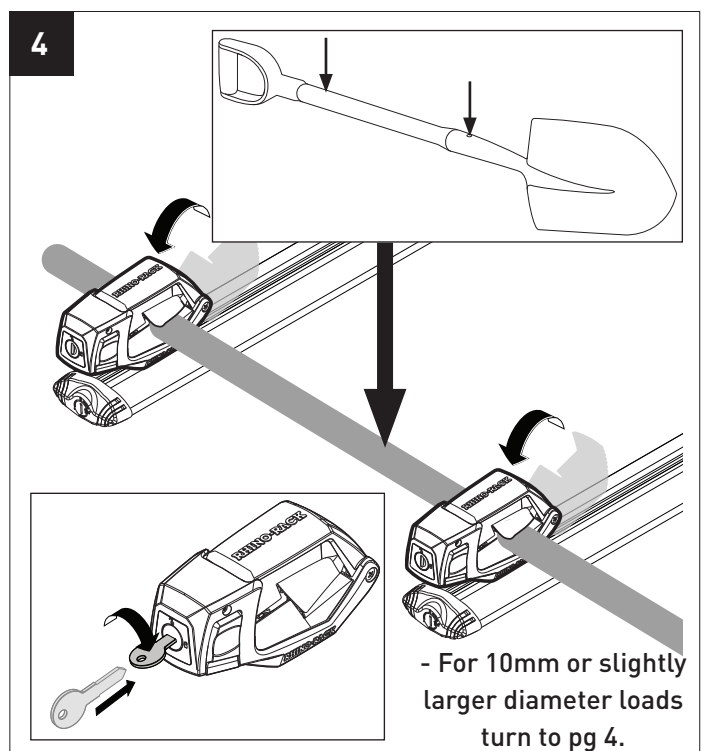
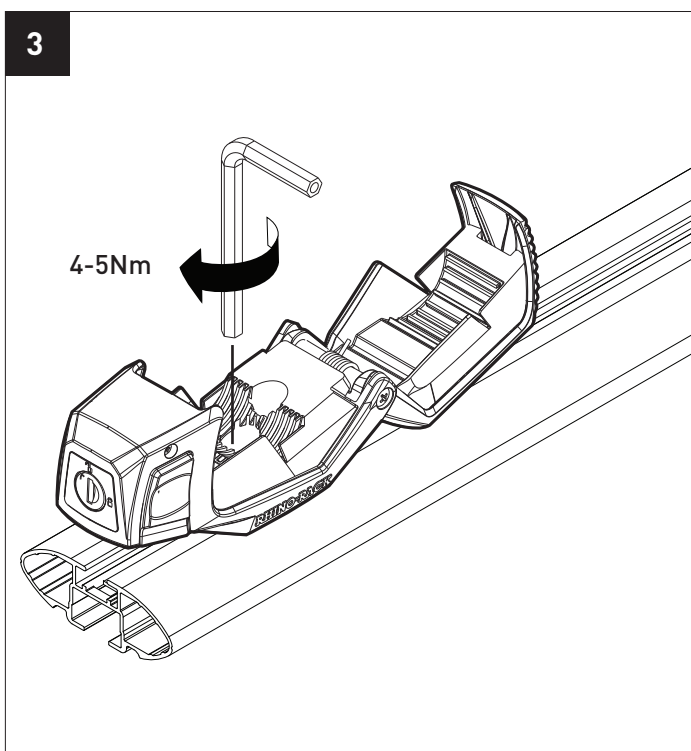
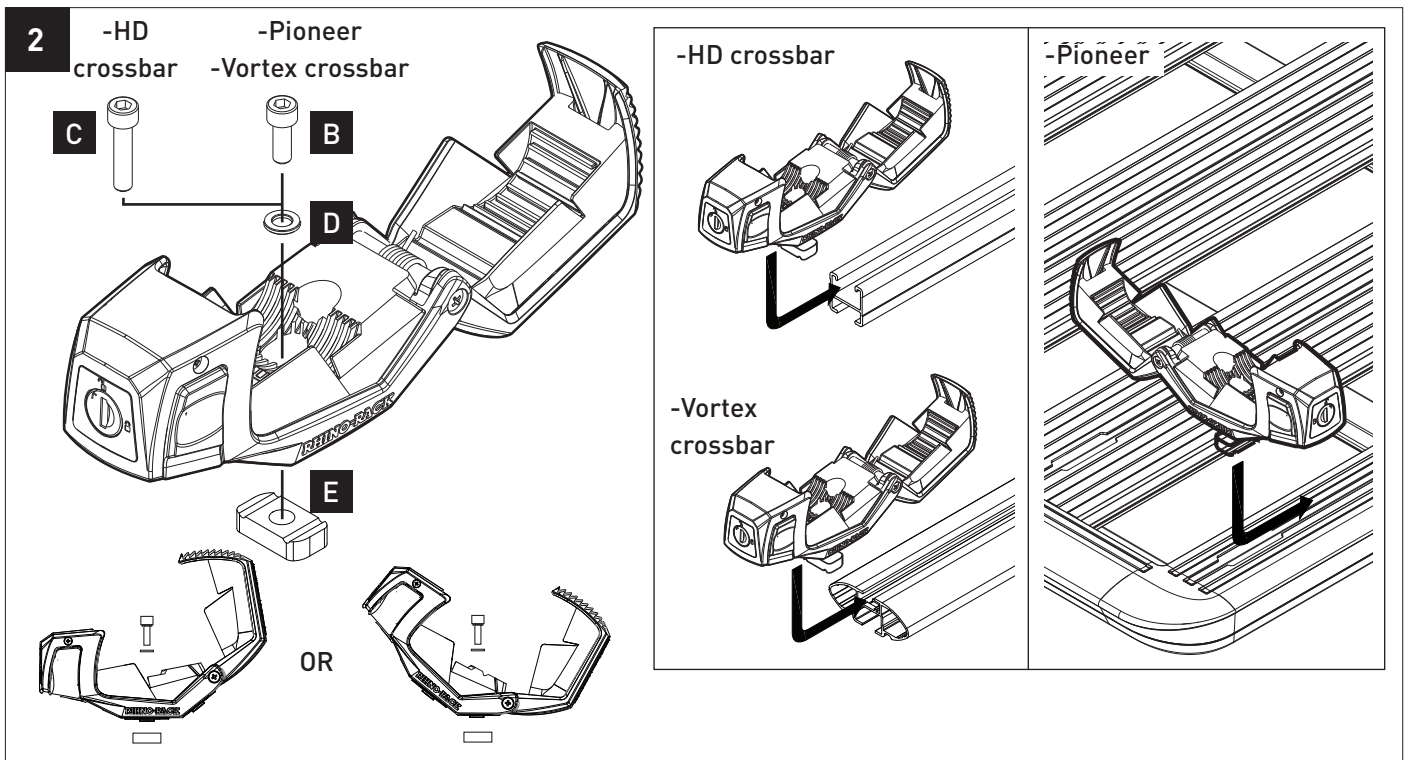
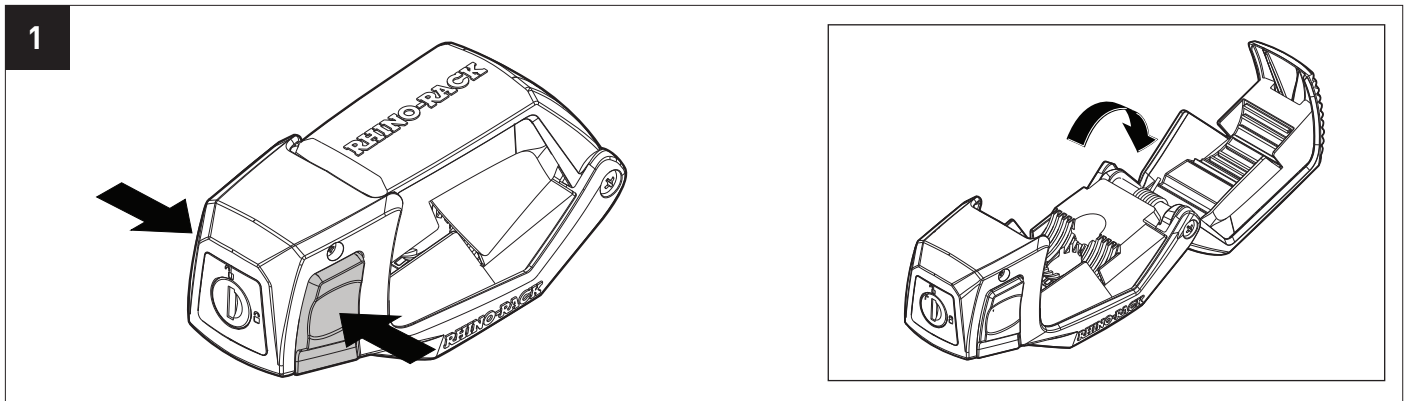
It is your responsibility to ensure these fitting instructions are given to the end user or client. These instructions remain the property of Rhino-Rack Australia Pty. Ltd. and may not be used or changed for any other purpose than intended.

Parts List



Item	Description	Qty
A	Stow-it assembly.	2
B	M6 x 16mm socket head screw	2
C	M6 x 20mm socket head screw	2
D	M6 x 16mm flat washer	2
E	M6 channel nut	2
F	5mm allen key	1
G	Metal key	2

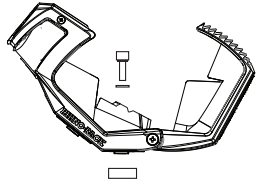
Instructions



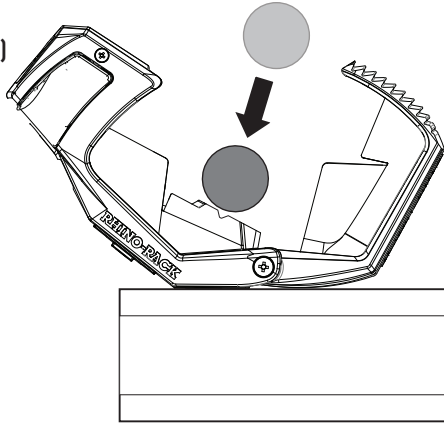
Instructions

Note

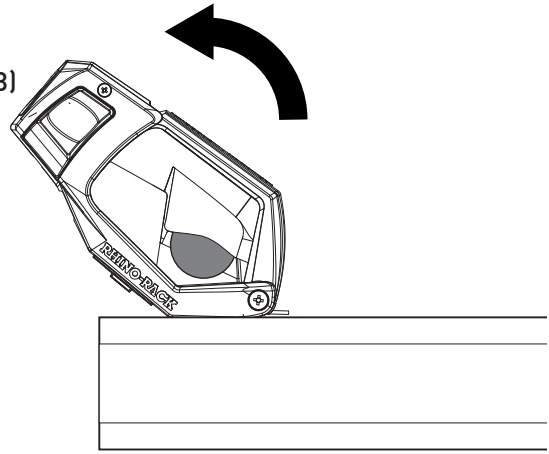
- For 10mm or slightly larger diameter loads.



(A)



(B)

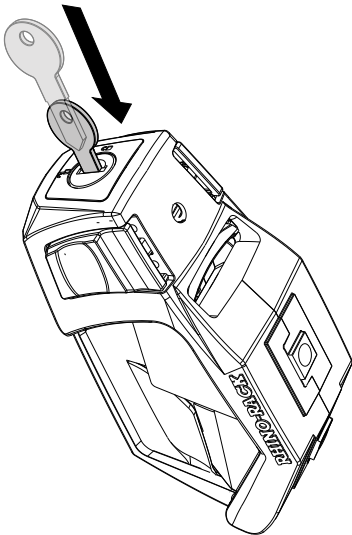


Key Removal - RSIT Shovel Holder

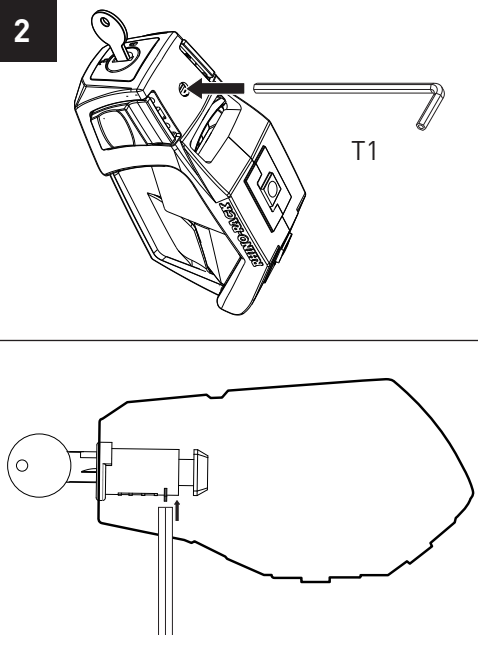
Tools required:

T1 - Allen key (provided in RSIT kit).

1



2



3

