



# Installation Instructions

## Rear Bumper

Product Number: W1350, W1351

Application: '99-Current Super Duty

### SAFETY

**Your safety and the safety of others is very important.**

- In order to help you make informed decisions about safety, we have provided installation instructions and other information.
- These instructions alert you to potential hazards that could hurt you or others.
- Please do a job safety analysis (JSA) before each task to identify potential hazards for your situation and remove/protect against them.
- You must use your own good judgment, and take your time.

**Read and understand all safety precautions and instructions before installing this product.**

THIS PRODUCT IS FOR OFFROAD USE ONLY. ALL LIABILITY FOR INSTALLATION AND USE RESTS WITH THE OWNER.

**CARELESS INSTALLATION AND OPERATION CAN RESULT IN SERIOUS INJURY OR EQUIPMENT DAMAGE.**

**SENSORS' FIELD OF VIEW WILL BE ALTERED WITH USE OF THE REPLACEMENT BUMPER.**

### Injury hazard

**Failure to observe these instructions could lead to severe injury or death.**

- Always** remove jewelry and wear eye protection.
- Always** use extreme caution when jacking up a vehicle for work. Set emergency brake and use tire blocks. Locate and use the vehicle manufacturers designated lifting points. Use jack stands.
- Always** use appropriate and adequate care in lifting components into place.
- Always** insure components will remain secure during installation and operation.
- Always** wear safety glasses when installing this kit. A drilling operation will cause flying metal chips. Flying chips can cause serious eye injury.
- Always** use extreme caution when drilling on a vehicle. Thoroughly inspect the area to be drilled (on both sides of material) prior to drilling, and relocate any objects that may be damaged.
- Always** use extreme caution when cutting and trimming during fitting.
- Always** tighten all nuts and bolts securely per installation instructions.
- Always** route electrical cables carefully. Avoid moving parts, components that become hot and rough or sharp edges.
- Always** insulate and protect all exposed wiring and electrical terminals.
- Always** perform regular inspections and maintenance on mounts and related hardware.





# Installation Instructions

## Rear Bumper

Product Number: W1350, W1351

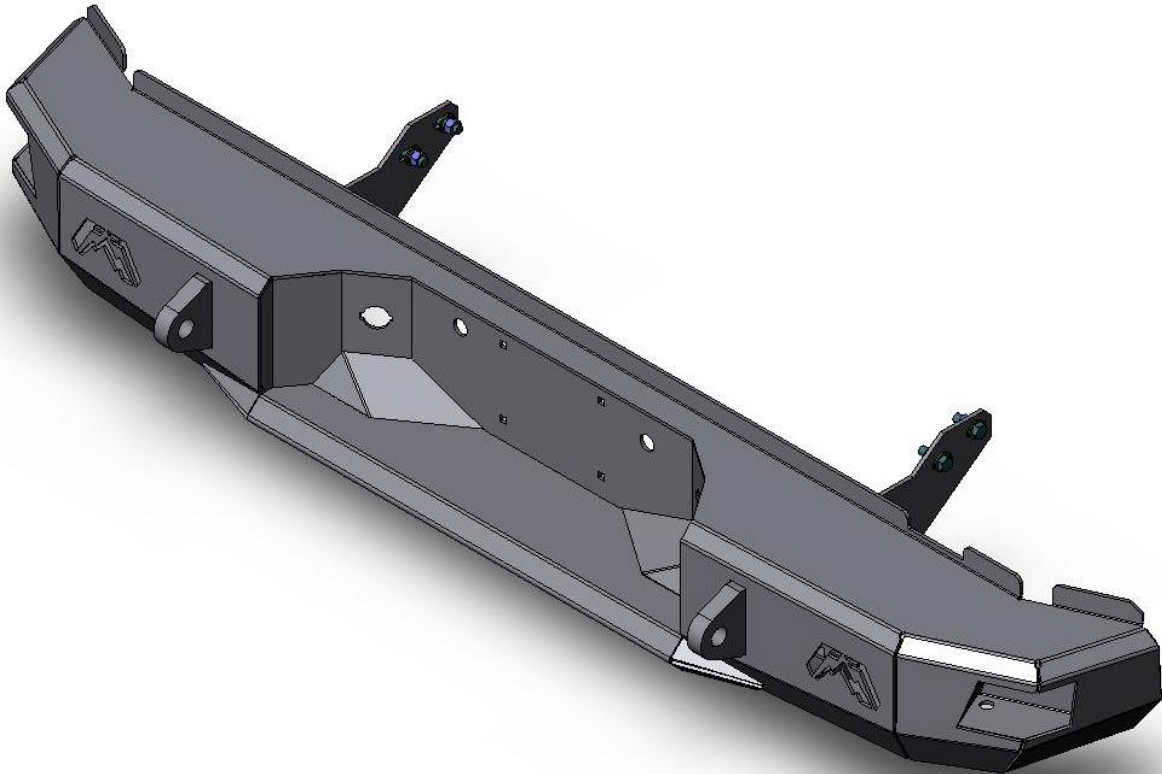
Application: '99-Current Super Duty

### I. Overview

Congratulations on your new purchase of the industries' best and most stylish Ford bumper! This bumper has been **engineered** for strength while keeping the weight down.

Your bumper was designed in 3-D from digitized data, CNC laser cut, fabricated, and powder coated... all in the U.S.A.

Enjoy the fit and finish of a quality Ford bumper from Fab Fours Inc.





## Installation Instructions

### Rear Bumper

Product Number: W1350, W1351

Application: '99-Current Super Duty

## II. Tools Needed

- 21mm or 13/16 Socket
- 3/4" Socket
- 3/4" Wrench
- Socket wrench
- Flathead Screwdriver

## III. Removal

- Disconnect wiring harness (ref. figure 1).



Figure 1

- B) With help and the use of a floor jack to support bumper, use a 13/16 or 21mm socket to remove the nuts and bolt straps securing the OEM bumper to the frame (ref. figure 2a-b).





# Installation Instructions

## Rear Bumper

Product Number: W1350, W1351

Application: '99-Current Super Duty



Figure 2a



Figure 2b







## Installation Instructions

### Rear Bumper

Product Number: W1350, W1351

Application: '99-Current Super Duty

- ❑ C) Remove license plate, and OEM license plate lights. Rotate the tag light and pull out of light housing using a flathead screwdriver to depress the plastic clip holding each tag light housing and push out of OEM bumper (ref. figure 3). Using a flathead screwdriver, pull out plastic anchors holding wiring harness to bumper. **If equipped with sensors**, push sensor housing tabs, indicated by circles, away from sensors and carefully wiggle sensors back and forth while pulling sensors out of housing (ref figure 3b).

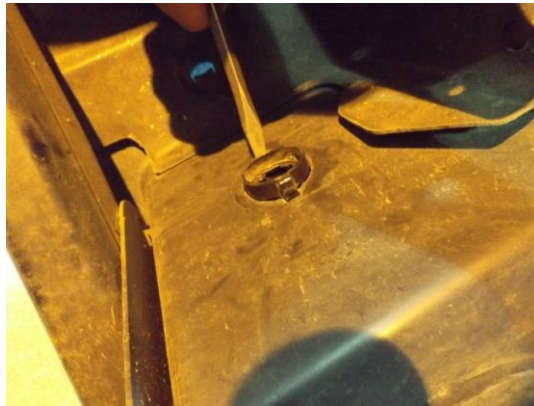


Figure 3a



Figure3b





## Installation Instructions

### Rear Bumper

Product Number: W1350, W1351

Application: '99-Current Super Duty

#### I. Pre-Installation

**NOTE: PLEASE READ THE ENTIRE MANUAL BEFORE ATTEMPTING INSTALLATION. Ignoring these steps will increase your probability of scratching the vehicle during installation.**

- A. Remove Fab Fours bumper from the shipping carton and lay all items out on a blanket to prevent damage.
- B. Install factory license plate lights in indicated locations.

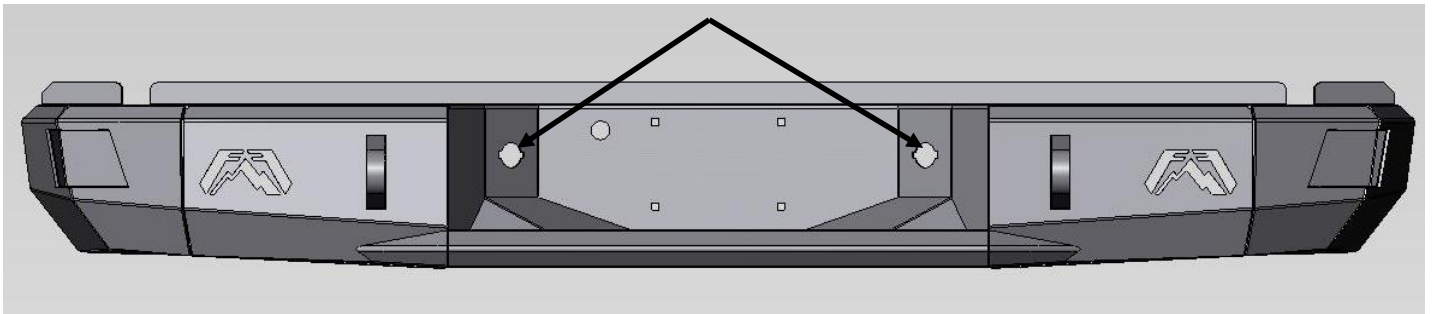


Figure 4

- C. **FOR SENSOR BUMPER INSTALLATION:** Install sensor housings in bumper by lining up plastic protrusions of the housing with the sensor profile (ref figure 5a-f).
- Look at images below to confirm proper orientation. Figure 5b is a cut away view with numbered sensors locations.
- At this time follow instructions on the provided epoxy. Making sure sensor housings are flush, then apply epoxy to inside face of bumper where housing sticks through.
- Run sensor harness through D-ring mount brackets (ref. figure 3).
- Ensure that the clear plastic grommet is on properly and sensors appear centered in their housings.
- Final installation of sensors on driver side should appear as follows with passenger side sensors mirrored.





# Installation Instructions

## Rear Bumper

Product Number: W1350, W1351

Application: '99-Current Super Duty

Figure 5a

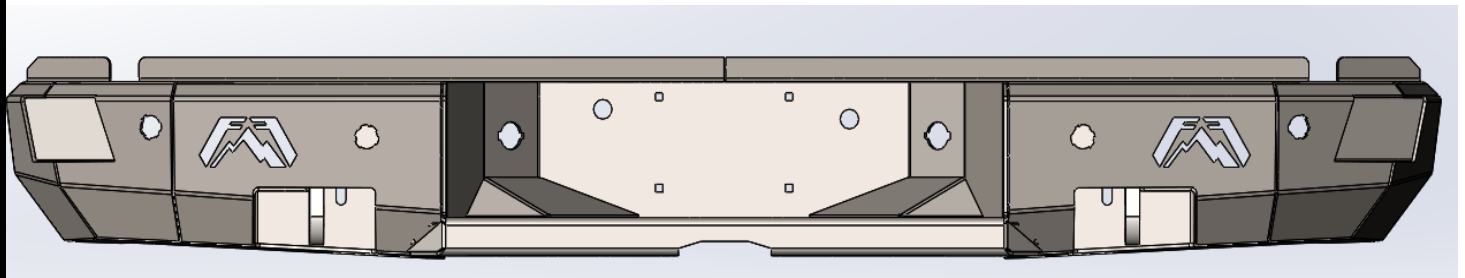
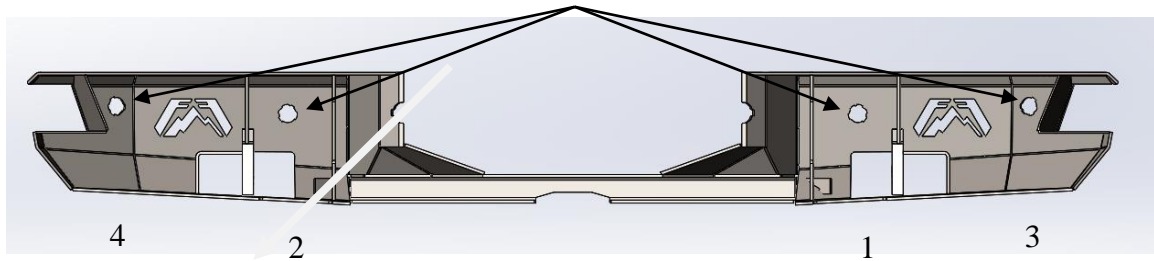


Figure 5b

[cutaway image showing all sensor holes including behind mounting plates]





# Installation Instructions

## Rear Bumper

Product Number: W1350, W1351

Application: '99-Current Super Duty



*Figure 5c (loc. 2)*

*Figure 5d (loc 1)*



*Figure 5e (loc. 4)*



*Figure 5f (loc. 3)*







## Installation Instructions

### Rear Bumper

Product Number: W1350, W1351

Application: '99-Current Super Duty

#### IV. Installation

- A) Install bumper mounts (finger tight) onto bumper as shown using supplied mounting hardware. Verify that the stepped flange points upward. Repeat for other side.

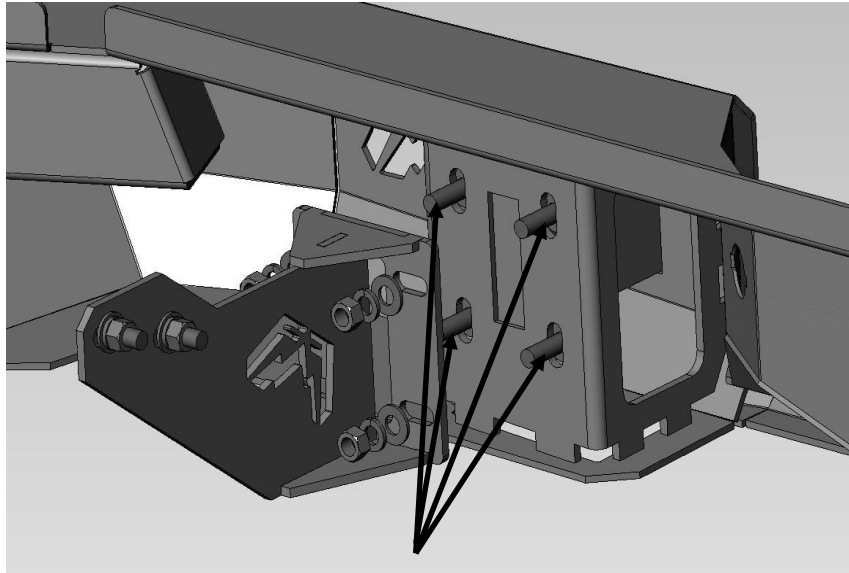


Figure 1

- B) Bolt bumper to mounts using supplied hardware. Repeat for other side.





## Installation Instructions

### Rear Bumper

Product Number: W1350, W1351

Application: '99-Current Super Duty

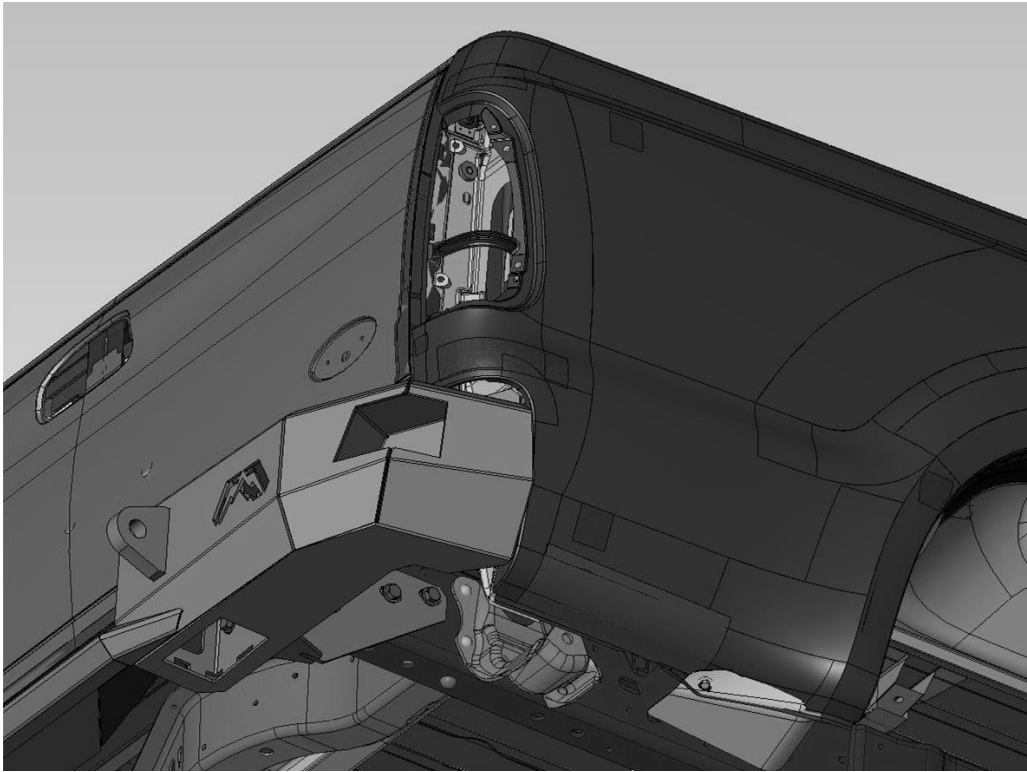


Figure 2

- C) Align bumper front to back and tighten frame mount fasteners.
- D) Align bumper height side-to-side, verify tailgate clears while lowered, and tighten bumper mounting fasteners using  $\frac{3}{4}$ " socket and wrench.
- E) Plug in license plate light harness and secure to frame rails.
- F) Install license plate mounting inserts and re-install license plate.
- G) Install supplied hole plug into appropriate hole depending on year
  - 99-07: Plug Driver Side Hole
  - 08-Current: Plug Passenger Side Hole





## Installation Instructions

### Rear Bumper

Product Number: W1350, W1351

Application: '99-Current Super Duty

#### V. Maintenance/Care

- Periodically check and tighten all fasteners.
- Stripped, fractured, or bent bolts or nuts need to be replaced.

