



Installation Instructions

Premium Rear Bumper

Product Number: W3150, W3151
Application: 2014 - 2015 Chevy/GMC 1500

SAFETY

Your safety and the safety of others is very important.

- In order to help you make informed decisions about safety, we have provided installation instructions and other information.
- These instructions alert you to potential hazards that could hurt you or others.
- Please do a job safety analysis (JSA) before each task to identify potential hazards for your situation and remove/protect against them.
- You must use your own good judgment, and take your time.

Read and understand all safety precautions and instructions before installing this product.

**THIS PRODUCT IS FOR OFFROAD USE ONLY. ALL LIABILITY FOR
INSTALLATION AND USE RESTS WITH THE OWNER.**

**CARELESS INSTALLATION AND OPERATION CAN RESULT IN SERIOUS INJURY
OR EQUIPMENT DAMAGE.**

**SENSORS' FIELD OF VIEW WILL BE ALTERED WITH USE OF THE
REPLACEMENT BUMPER.**

Injury hazard

Failure to observe these instructions could lead to severe injury or death.

- Always remove jewelry and wear eye protection.
- Always use extreme caution when jacking up a vehicle for work. Set emergency brake and use tire blocks. Locate and use the vehicle manufacturers designated lifting points. Use jack stands.
- Always use appropriate and adequate care in lifting components into place.
- Always insure components will remain secure during installation and operation.
- Always wear safety glasses when installing this kit. A drilling operation will cause flying metal chips. Flying chips can cause serious eye injury.
- Always use extreme caution when drilling on a vehicle. Thoroughly inspect the area to be drilled (on both sides of material) prior to drilling, and relocate any objects that may be damaged.
- Always use extreme caution when cutting and trimming during fitting.
- Always tighten all nuts and bolts securely per installation instructions.
- Always route electrical cables carefully. Avoid moving parts, components that become hot and rough or sharp edges.
- Always insulate and protect all exposed wiring and electrical terminals.
- Always perform regular inspections and maintenance on mounts and related hardware.



W3150_REV_A



Installation Instructions

Premium Rear Bumper

Product Number: W3150, W3151

Application: 2014 - 2015 Chevy/GMC 1500

I. Overview

Congratulations on your new purchase of the industries' best and most stylish rear bumper available for the 2014 Chevy/GMC 1500! This bumper has been engineered for strength while keeping the weight down.

Your rear bumper designed in 3-D from digitized data, CNC laser cut, fabricated, and powder coated... all in the U.S.A.

Enjoy the fit and finish of a quality Chevy/GMC 1500 rear bumper from Fab Fours Inc.



Figure 1



W3150_REV_A



Installation Instructions

Premium Rear Bumper

Product Number: W3150, W3151

Application: 2014 - 2015 Chevy/GMC 1500

Parts List

- Rear replacement bumper
- W3150-HW fastener kit
- 4 Stud Plates
- Instruction Manual

Tools Required

- Socket Wrench with Extension (Ratcheting wrenches may also be convenient)
- 15mm , 18mm , & 22mm Sockets and Box End Wrenches
- Hex Bit Socket for #8-32 Button Head
- Flat and Phillips Head Screwdrivers
- Floor Jack and wood block.

II. Removal of Stock Bumper

- Remove license plate, and OEM license plate lights. Disconnect trailer receptacle. If equipped, unplug back-up sensor harness.**
- Remove the two fasteners connecting the hitch to the stock bumper located on either side of the receiver with an 18mm socket. Using a 22mm socket disconnect the fasteners connecting the hitch receiver to the frame. Save hardware for reuse.**



- Remove the fasteners connecting the bumper mounts to the frame. This requires removing one bolt from the bottom of the frame (#22 socket/wrench) and three bolts from the side of the frame (#22 and**



W3150_REV_A



Installation Instructions

Premium Rear Bumper

Product Number: W3150, W3151

Application: 2014 - 2015 Chevy/GMC 1500

#15 socket/wrench). Save hardware for reuse.



Figure 2



Figure 3

- D. Remove OEM bumper by pulling it rearward away from the truck.
- E. Remove OEM Spare Tire Access Cover and Trailer Plug from the OEM bumper. Set aside for reinstallation.
- F. Re-install Hitch Receiver.



W3150_REV_A



Installation Instructions

Premium Rear Bumper

Product Number: W3150, W3151
Application: 2014 - 2015 Chevy/GMC 1500



Figure 4



W3150_REV_A



Installation Instructions

Premium Rear Bumper

Product Number: W3150, W3151

Application: 2014 - 2015 Chevy/GMC 1500

III. Rear Bumper Installation

NOTE: PLEASE READ THE ENTIRE MANUAL BEFORE ATTEMPTING INSTALLATION! Ignoring these steps will increase your probability of scratching the vehicle during product installation!

- A. Remove the Bumper from the shipping carton. Lay all items out on a blanket to prevent damage to the powder coating.
- B. Install license plate nylon nut inserts in 4 provided locations.

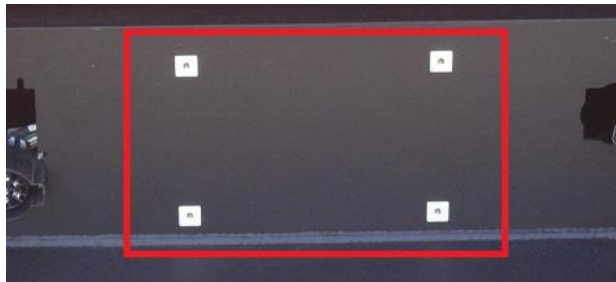


Figure 5

- C. Remove the factory harness from the center section of the OEM bumper.



Figure 6





Installation Instructions

Premium Rear Bumper

Product Number: W3150, W3151

Application: 2014 - 2015 Chevy/GMC 1500

NOTE: STEPS D AND E ARE FOR TRUCKS EQUIPED WITH SENSORS. IF YOUR VEHICLE IS NOT EQUIPED WITH SENSORS, SKIP THESE STEPS AND CONTINUE WITH F.

- D. Remove the sensors and sensor housings from the stock bumper. The sensors are removed by pressing outward on the tabs of the sensor housing (Figure 7, red arrows) and pulling away from the bumper. The sensor housing is then removed by pressing the four clips circled in red and pushing through the front of the bumper.**



Figure 7

- E. Insert your stock housings into the Fab Fours bumper. Each sensor retains its factory position (i.e. center stays in the center). The cutouts in the bumper are specially designed to accept the extrusions. Failure to insert these properly may result in errors with the parking assist features of your truck. Apply epoxy using the instructions provided on each pack.**
- F. Install the light covers into the bumper by first positioning them properly in the brackets and then screw them in at bottom of bracket.**



W3150_REV_A



Installation Instructions

Premium Rear Bumper

Product Number: W3150, W3151

Application: 2014 - 2015 Chevy/GMC 1500



Figure 7

- G. Install factory harness on Fab Fours bumper and insert light attached to harness into light cover and secure. Use zip-ties to secure excess wiring. (Ref. Figure 8). Plug in sensors and the sensor harness by running the harness through the mounting brackets.



Figure 8

- H. Install trailer plug and Tag light in indicated sockets.



W3150_REV_A



Installation Instructions

Premium Rear Bumper

Product Number: W3150, W3151

Application: 2014 - 2015 Chevy/GMC 1500

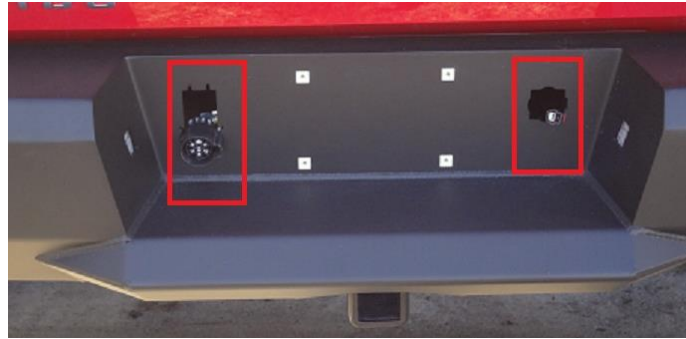


Figure 9

- I. **Reconnect tag light and trailer plug. Use zip-ties to secure excess wiring.**
- J. **Install supplied intermediate mounting brackets to the hitch frame plate using $\frac{1}{2}$ " socket and wrench for three bracket bolts. Two bolts are located on the side and one underneath of the hitch frame plate. Refer to Figure 10 and Figure 11, Figure 10 indicating bolts in green circles. Reuse screw and c-clip from OEM bumper. Complete on both driver and passenger sides of vehicle. Do Not Fully Tighten, Finger Tighten Only!**



W3150_REV_A



Installation Instructions

Premium Rear Bumper

Product Number: W3150, W3151

Application: 2014 - 2015 Chevy/GMC 1500

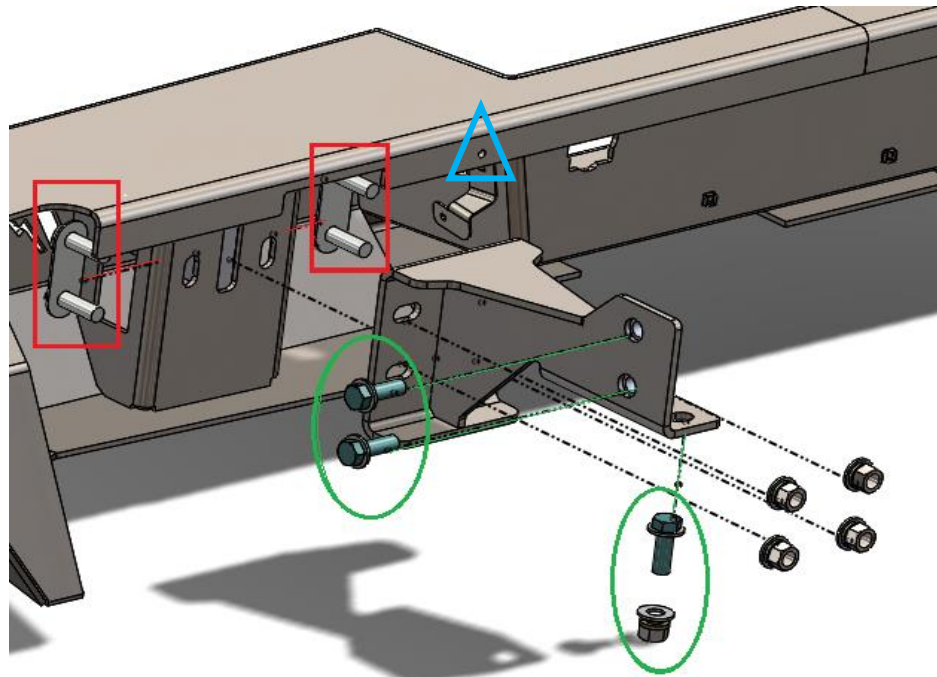


Figure 10

- K. With the help of others and possibly a floor jack to support the center of the bumper, lift the Fab Fours bumper into place.
- L. Insert the set of stud plates, facing away from bumper, into the slots on the internal mounting tower. Complete on both driver and passenger sides of vehicle. Refer to the Figure 10 and Figure 11, Figure 10 indicates the plates in red blocks.
- M. Align the bumper side to side and top to bottom to ensure a perfect fit to the truck. Allow at least 0.250" of clearance to all painted surfaces if possible. This is to allow for frame flex!
- N. Check that the tailgate does not interfere with the bumper by opening it very carefully and lowering it into place. If tailgate is to close to the bumper, adjust bumper lower.
- O. Fully tighten all fasteners between bumper and brackets as well as brackets and frame. (Ref. Figure 11a-b)



W3150_REV_A



Installation Instructions

Premium Rear Bumper

Product Number: W3150, W3151
Application: 2014 - 2015 Chevy/GMC 1500

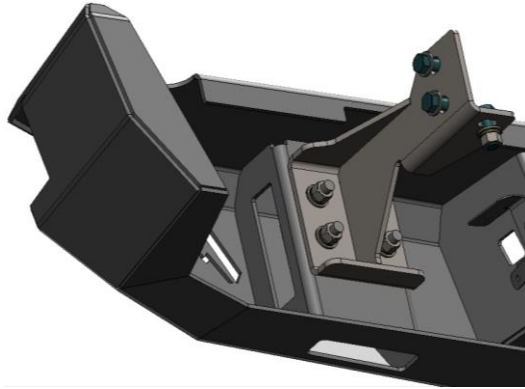


Figure 11a

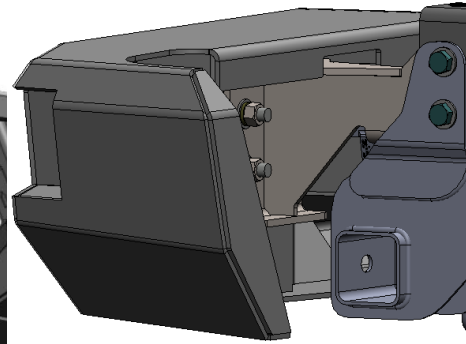


Figure 11b

- P. Insert M10 blot and fasten down with provided hex head nut. (Ref. 11c)**



Figure 11c

- Q. Install supplied license plate plastic nut inserts and license plate.**





Installation Instructions

Premium Rear Bumper

Product Number: W3150, W3151
Application: 2014 - 2015 Chevy/GMC 1500

III. Maintenance/Care

- Periodically check and tighten all fasteners.
- Stripped, fractured, or bent bolts or nuts need to be replaced.
- After washing of the vehicle make sure to fully dry all surfaces



W3150_REV_A