



# Installation Instructions

2015 FORD F150 Rear Bumper

Product Number: W3250, W3251

Application: 2015+ FORD F150

## SAFETY

Your safety and the safety of others is very important.

- In order to help you make informed decisions about safety, we have provided installation instructions and other information.
- These instructions alert you to potential hazards that could hurt you or others.
- Please do a job safety analysis before each task to identify potential hazards for your situation and remove/protect against them.
- You must use your own good judgment, and take your time.

Read and understand all safety precautions and instructions before installing this product.

**THIS PRODUCT IS FOR OFFROAD USE ONLY. ALL LIABILITY FOR  
INSTALLATION AND USE RESTS WITH THE OWNER.**

**CARELESS INSTALLATION AND OPERATION CAN RESULT IN SERIOUS INJURY  
OR EQUIPMENT DAMAGE.**

**SENSORS' FIELD OF VIEW WILL BE ALTERED WITH USE OF THE  
REPLACEMENT BUMPER.**

## Injury hazard

Failure to observe these instructions could lead to severe injury or death.

- Always remove jewelry and wear eye protection.
- Always use extreme caution when jacking up a vehicle for work. Set emergency brake and use tire blocks. Locate and use the vehicle manufacturers designated lifting points. Use jack stands.
- Always use appropriate and adequate care in lifting components into place.
- Always insure components will remain secure during installation and operation.
- Always wear safety glasses when installing this kit. A drilling operation will cause flying metal chips. Flying chips can cause serious eye injury.
- Always use extreme caution when drilling on a vehicle. Thoroughly inspect the area to be drilled (on both sides of material) prior to drilling, and relocate any objects that may be damaged.
- Always use extreme caution when cutting and trimming during fitting.
- Always tighten all nuts and bolts securely per installation instructions.
- Always route electrical cables carefully. Avoid moving parts, components that become hot and rough or sharp edges.
- Always insulate and protect all exposed wiring and electrical terminals.
- Always perform regular inspections and maintenance on mounts and related hardware.



W3250\_Manual\_Rev\_A



# Installation Instructions

2015 FORD F150 Rear Bumper

Product Number: W3250, W3251

Application: 2015+ FORD F150

## I. Overview

Congratulations on your new purchase of the industries' best and most stylish Rear Bumper available for the 2015 Ford F-150! This Bumper has been engineered for strength while keeping the weight down.

Your Rear Bumper designed in 3-D from digitized data, CNC laser cut, fabricated, and powder coated... all in the U.S.A.

Enjoy the fit and finish of a quality F-150 Rear Bumper from Fab Fours Inc.





## Installation Instructions

2015 FORD F150 Rear Bumper

Product Number: W3250, W3251

Application: 2015+ FORD F150

### II. Parts List

- W3250 rear replacement bumper with mounting brackets
- 50014-HW fastener kit
- Instruction Manual
- 4 Bolt Strips
- Spare Tire Lock Retainer Ring
- 10019 Wiring Kit
- 2 License Plate Lights

### III. Tools Required

- Socket Wrench with Extensions
- 5/8", 3/4", 8mm, 9mm, and 13mm Sockets
- 5/8", 3/4", 8mm, 9mm, and 13mm Box End Wrench
- 7/32 drill bit

### IV. Removal of Stock Bumper

1. Remove license plate, and OEM license plate lights. Disconnect trailer receptacle.



Figure 1 (Lic. Light removed)





## Installation Instructions

2015 FORD F150 Rear Bumper

Product Number: W3250, W3251

Application: 2015+ FORD F150

2. Disconnect the sensor harness plug, indicated by the red circle, and then trace the ground wire, indicated by the blue square, around the frame and using a 10mm wrench unscrew (ref. fig. 2a-b).

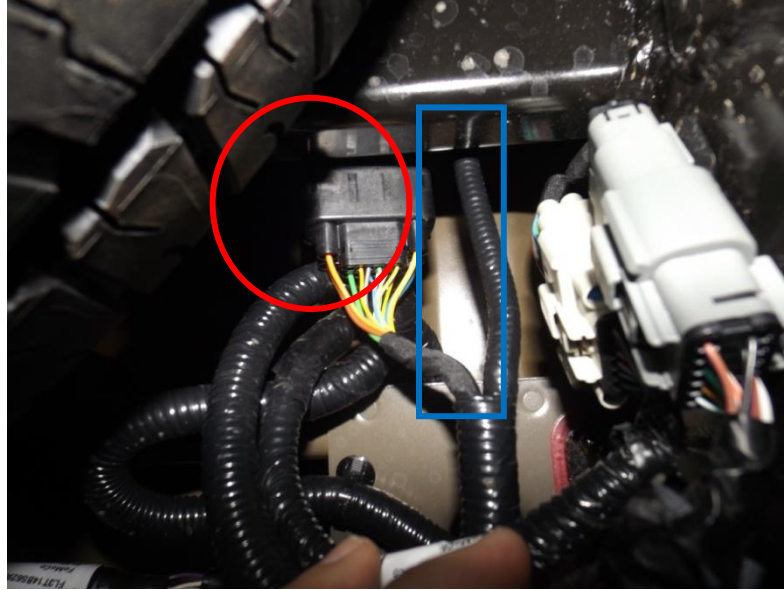


Figure 2a



Figure 2b





## Installation Instructions

2015 FORD F150 Rear Bumper

Product Number: W3250, W3251

Application: 2015+ FORD F150

3. Remove one (1) Christmas tree plug and (1) clip connecting the harness to the frame.
4. Remove seven plastic Christmas tree plugs holding the harness to the inside of the bumper. Fish the harness out of the bumper and out of the way.
5. The OE bumper will come off in 3 pieces. From the outside and starting from the passenger side edge peel away the plastic that is clipped into the top of the bumper (Figure 3). Flat head screwdriver is recommended for removal.

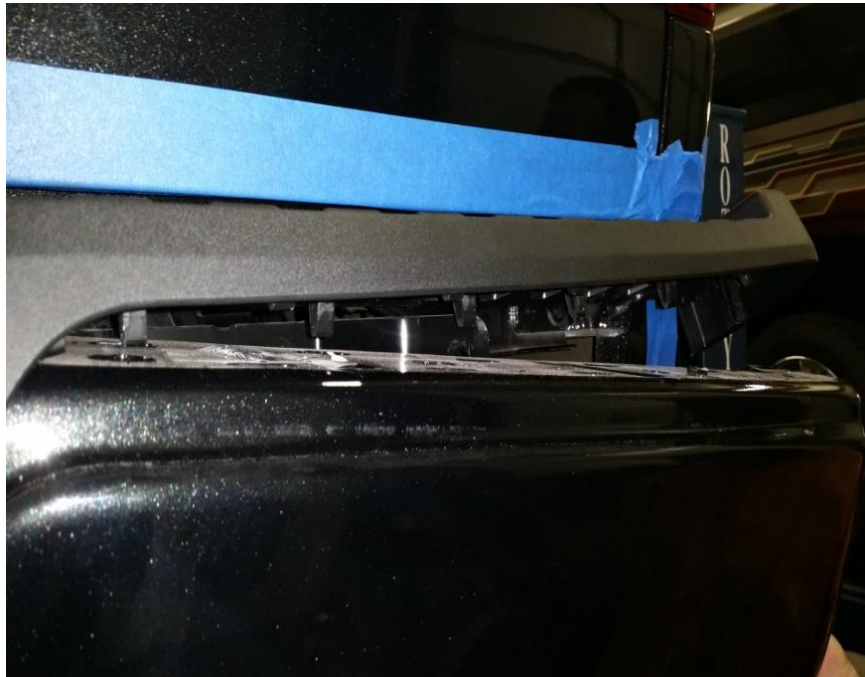


Figure 3





## Installation Instructions

2015 FORD F150 Rear Bumper

Product Number: W3250, W3251

Application: 2015+ FORD F150

6. Remove the final 10 bolts that are now accessible using a 13mm socket (Figure 4a-b)

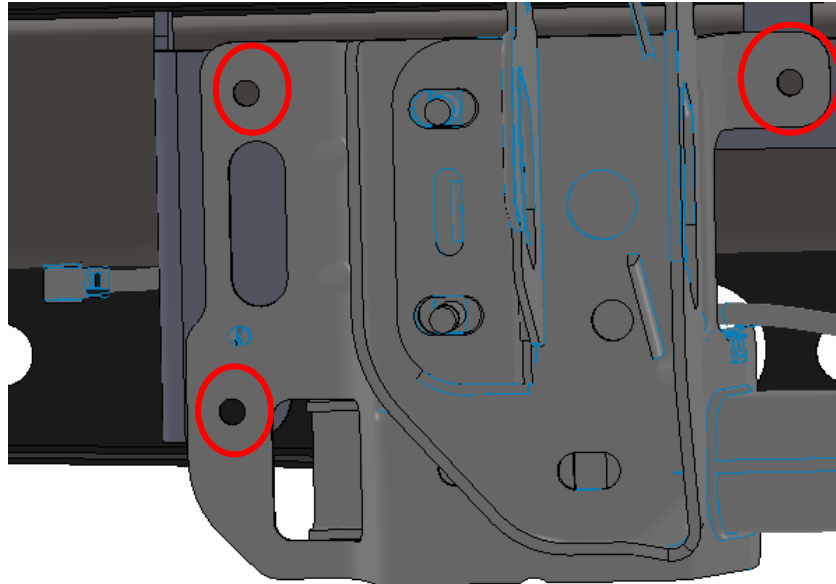


Figure 4 (3x per side, Outer Bolt Locations )



Figure 4b (2x per side, Inner bolt locations)



W3250\_Manual\_Rev\_A



# Installation Instructions

2015 FORD F150 Rear Bumper

Product Number: W3250, W3251

Application: 2015+ FORD F150

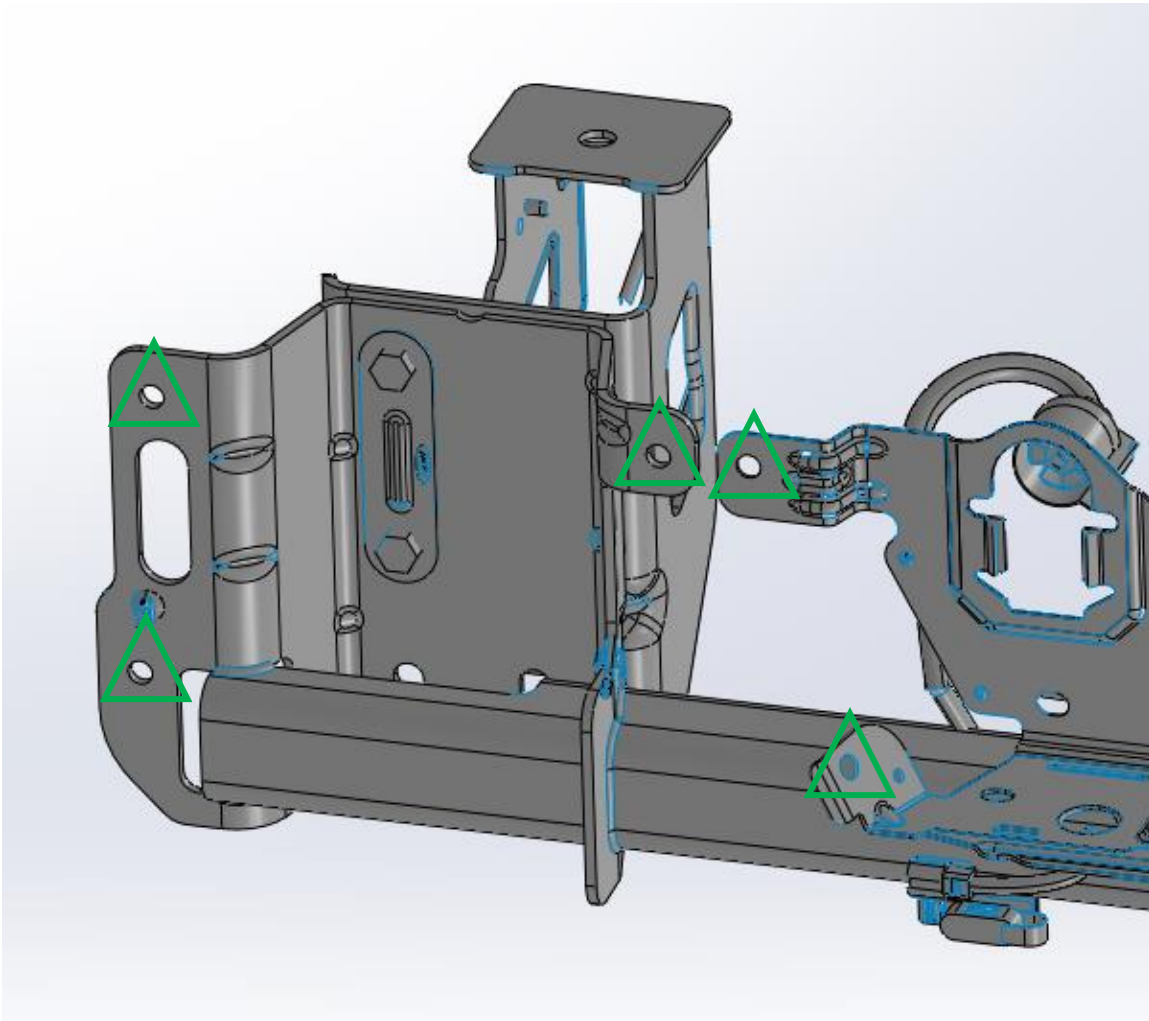


Figure 4c (5x Bolt Locations Per Side)





## Installation Instructions

2015 FORD F150 Rear Bumper

Product Number: W3250, W3251

Application: 2015+ FORD F150

### V. Pre-Installation

**NOTE: PLEASE READ THE ENTIRE MANUAL BEFORE ATTEMPTING INSTALLATION. Ignoring these steps will increase your probability of scratching the vehicle during installation.**

1. Remove Fab Fours bumper from the shipping carton and lay all items out on a blanket to prevent damage.
2. Install provided license plate lights in indicated locations.

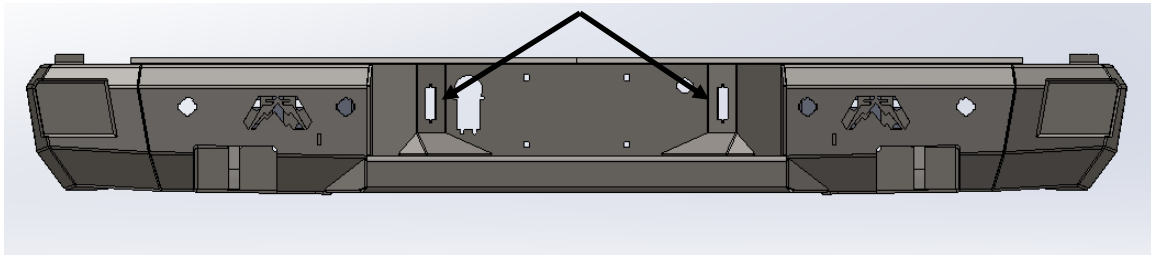


Figure 4

3. **FOR SENSOR BUMPER INSTALLATION:** Install sensor housings in bumper by lining up plastic protrusions of the housing with the sensor profile (Ref Figures 5a-d).







## Installation Instructions

2015 FORD F150 Rear Bumper

Product Number: W3250, W3251

Application: 2015+ FORD F150

4. Look at images below to confirm proper orientation. Figure 5b is a cut away view with numbered sensors locations.



Figure 5a (inner driver side)



Figure 5b (outer driver side)





## Installation Instructions

2015 FORD F150 Rear Bumper

Product Number: W3250, W3251

Application: 2015+ FORD F150



Figure 5c (inner passenger side)



Figure 5d (outer passenger side)





## Installation Instructions

2015 FORD F150 Rear Bumper

Product Number: W3250, W3251

Application: 2015+ FORD F150

5. At this time follow instructions on the provided epoxy. Making sure sensor housings are as flush as possible, then apply epoxy to inside face of bumper.
6. Run sensor harness through D-ring mount brackets.
7. Ensure that the plastic grommet is on properly and sensors appear centered in their housings.
8. Final installation of sensors on passenger side should appear as follows with driver side sensors mirrored.



Figure 6a (passenger side)





## Installation Instructions

2015 FORD F150 Rear Bumper

Product Number: W3250, W3251

Application: 2015+ FORD F150



Figure 6b (inner passenger side: angled inboard)



Figure 6c (outer passenger side: angled outboard)





## Installation Instructions

2015 FORD F150 Rear Bumper

Product Number: W3250, W3251

Application: 2015+ FORD F150

### VI. Installation

1. Attach the supplied intermediate brackets with a 5/8 socket wrench and the provided 7/16 bolts.
2. Replace OEM bumper with the Fab Fours Premium Plate Bumper. Use the stud plates, the 1/2" hardware and a 3/4" wrench to fasten the bumper mounts to the frame rail in the OEM mounting locations. Do not fully tighten.

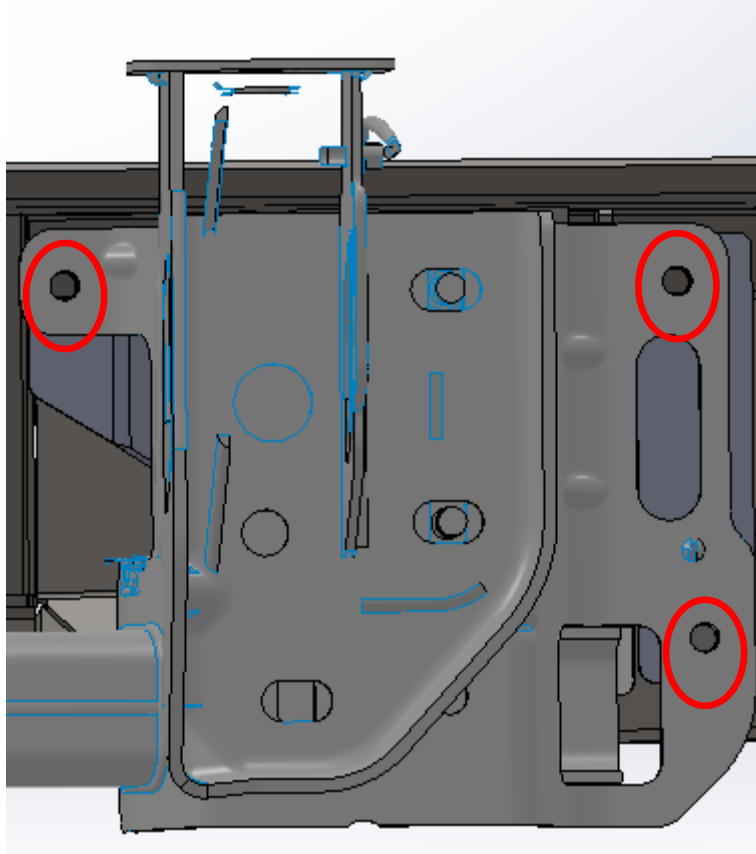


Figure 7a (7/16 bolt loc.)





## Installation Instructions

2015 FORD F150 Rear Bumper

Product Number: W3250, W3251

Application: 2015+ FORD F150

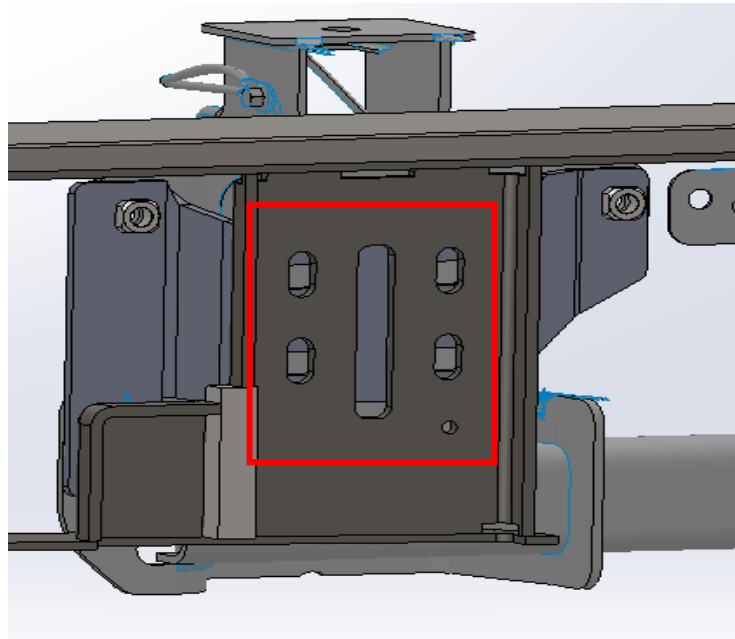


Figure 7b (stud plate loc.)

3. Level and align the bumper in relation to the truck bed. Fully tighten all fasteners.
4. Slowly lower the tailgate to ensure there will be no interference. If required, loosen the frame/bumper bolts and adjust alignment of the bumper.
5. Install trailer plug receptacle. The stock plug receptacle must be drilled with a 7/32 drill bit (1/4 is acceptable) using the shown impressions in the receptacle as guides. Attach with the provided #8 hardware.



Figure 5





## Installation Instructions

2015 FORD F150 Rear Bumper

Product Number: W3250, W3251

Application: 2015+ FORD F150



Figure 6

6. Reinstall license plate with provided plastic inserts.
7. Reattach spare tire lock with the provided retaining ring.
8. Secure all loose wiring and harnesses to the frame or bumper with zip ties.





## Installation Instructions

2015 FORD F150 Rear Bumper

Product Number: W3250, W3251

Application: 2015+ FORD F150

### VII. Maintenance/Care

- Periodically check and tighten all fasteners.
- Stripped, fractured, or bent bolts or nuts need to be replaced.



W3250\_Manual\_Rev\_A