



# Installation Instructions

## Tire Carrier

Product Number: Y1351T/Y1451T

Application: '05-Current Toyota Tacoma

## SAFETY

### **Your safety and the safety of others is very important.**

- In order to help you make informed decisions about safety, we have provided installation instructions and other information.
- These instructions alert you to potential hazards that could hurt you or others.
- Please do a job safety analysis (JSA) before each task to identify potential hazards for your situation and remove/protect against them.
- You must use your own good judgment, and take your time.

**Read and understand all safety precautions and instructions before installing this product.**

THIS PRODUCT IS FOR OFFROAD USE ONLY. ALL LIABILITY FOR INSTALLATION AND USE RESTS WITH THE OWNER.

**CARELESS INSTALLATION AND OPERATION CAN RESULT IN SERIOUS INJURY OR EQUIPMENT DAMAGE.**

## Injury hazard

### **Failure to observe these instructions could lead to severe injury or death.**

- Always** remove jewelry and wear eye protection.
- Always** use extreme caution when jacking up a vehicle for work. Set emergency brake and use tire blocks. Locate and use the vehicle manufacturers designated lifting points. Use jack stands.
- Always** use appropriate and adequate care in lifting components into place.
- Always** insure components will remain secure during installation and operation.
- Always** wear safety glasses when installing this kit. A drilling operation will cause flying metal chips. Flying chips can cause serious eye injury.
- Always** use extreme caution when drilling on a vehicle. Thoroughly inspect the area to be drilled (on both sides of material) prior to drilling, and relocate any objects that may be damaged.
- Always** use extreme caution when cutting and trimming during fitting.
- Always** tighten all nuts and bolts securely per installation instructions.
- Always** route electrical cables carefully. Avoid moving parts, components that become hot and rough or sharp edges.
- Always** insulate and protect all exposed wiring and electrical terminals.
- Always** perform regular inspections and maintenance on mounts and related hardware.

Y1351T-Rev.B



# Installation Instructions

## Tire Carrier

Product Number: Y1351T/Y1451T

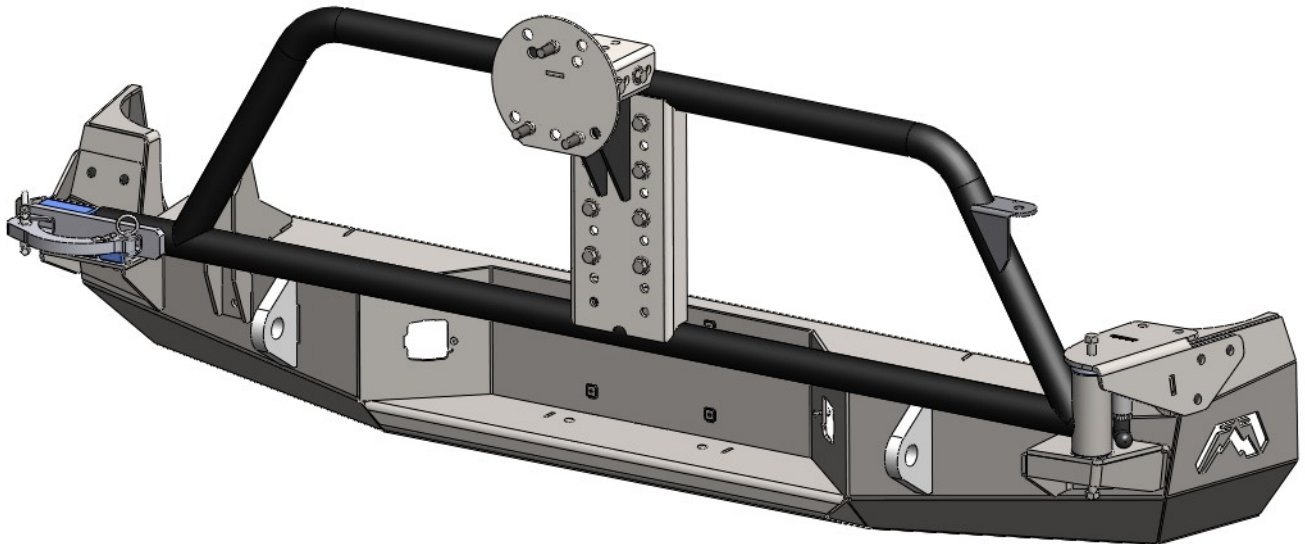
Application: '05-Current Toyota Tacoma

### I. Overview

Congratulations on your new purchase of the industries' best and most stylish tire carrier for the 2005 and newer Toyota Tacoma! This tire carrier has been **engineered** for strength.

Your tire carrier is designed in 3-D from digitized data, CNC laser cut, fabricated, and powder coated...all in the U.S.A.

Enjoy the fit and finish of a Toyota Tacoma tire carrier from Fab Fours Inc.



Y1351T-Rev.B



# Installation Instructions

## Tire Carrier

Product Number: Y1351T/Y1451T

Application: '05-Current Toyota Tacoma

### II. Tools Required

- 5/8", 9/16", 7/16" Wrench
- 5/8", 9/16", 7/16" Socket
- Ratchet wrench, extensions
- Allen key or hex drive
- White Lithium Grease

### III. Kit Contents

QTY	DESCRIPTION	FAB FOURS PART NUMBER
 x 1	Y1351T Tire Carrier	Y1351T/ Y1451T
 x 1	Upper Pivot Mount	20999
 x 1	Lower Pivot Mount	20387
 x 1	Latch Hook Bracket	20388
 x 1	Tire Carrier Horizontal Adjuster	20243
 x 2	Tire Carrier Stop Pad	61372
 x 1	Tire Carrier Landing Pad	61351

Y1351T-Rev.B

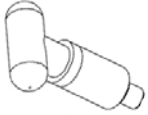

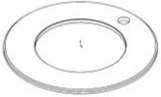


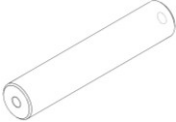





# Installation Instructions

## Tire Carrier

Product Number: Y1351T/Y1451T

Application: '05-Current Toyota Tacoma

	x 1	T-Handle Quick Pin	61298
	x 1	Clamp Lever	20034-4
	x 2	Thrust Washer	325401
	x 1	Quick Release Pin	61276
	x 1	Quick Release Pin Lanyard Tab	61277
	x 1	Tire Carrier Pivot Shaft	61354
	x 1	Y1351T Tire Carrier Hardware Kit	61370
	x 1	Standard Tire Carrier Hardware Kit	61371
	x 1	Y1351T Instruction Manual	Y1351T-IM

Y1351T-Rev.B





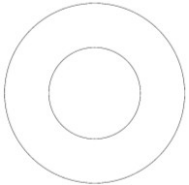





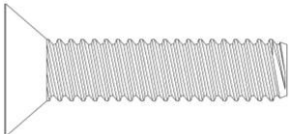

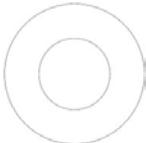



# Installation Instructions

## Tire Carrier

Product Number: Y1351T/Y1451T

Application: '05-Current Toyota Tacoma

### IV. Included Hardware

- |      |   |                                  |     |   |                  |
|------|---|----------------------------------|-----|---|------------------|
| 13 x |    | 7/16"-14 x 1.25"                 | 1 x |    | 1/4"-20 Nylok    |
| 13 x |    | 7/16" Flat Washer                | 1 x |    | #10-32 Nylok     |
| 2 x  |    | 3/8"-24 x 0.75" Hex Bolt         | 1 x |    | 7/16"-14 x 1"    |
| 6 x  |   | 3/8"-24 Hex Nut                  | 5 x |   | 7/16"-14         |
| 6 x  |  | 3/8"-24 x 1/2" Countersunk screw | 4 x |  | 7/16"-14 x 1.75" |
| 6 x  |  | 3/8" Flat Washer                 |     |   |                  |
| 6 x  |  | 3/8" Lock Washer                 |     |   |                  |
| 1 x  |  | 1/4"-20 x 1.25"                  |     |   |                  |
| 1 x  |  | #10-32 x 1"                      |     |   |                  |

Y1351T-Rev.B



## Installation Instructions

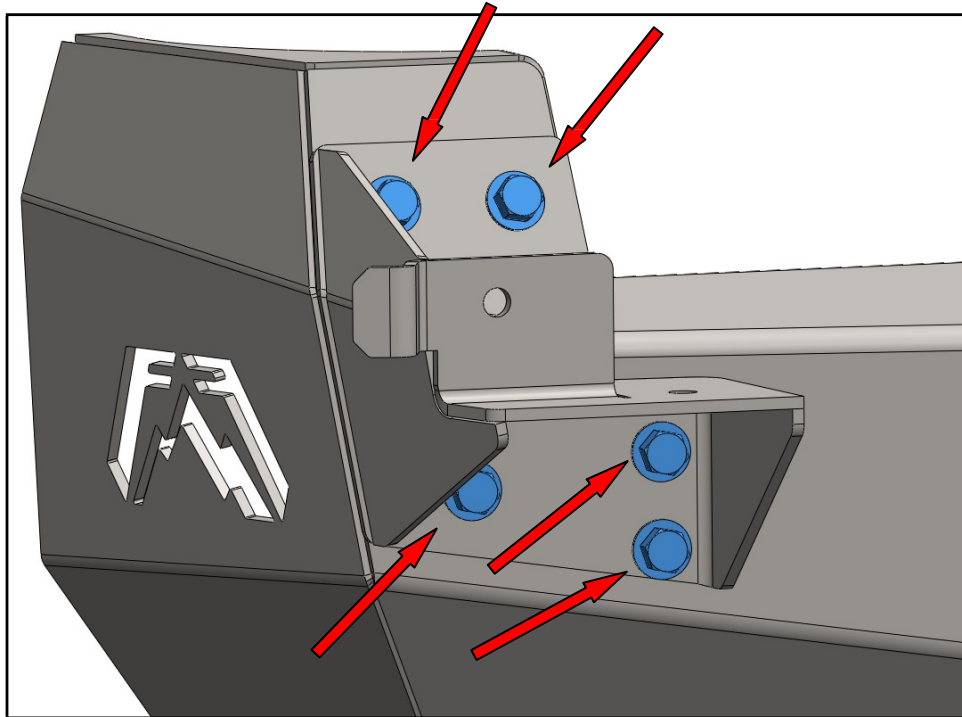
### Tire Carrier

Product Number: Y1351T/Y1451T

Application: '05-Current Toyota Tacoma

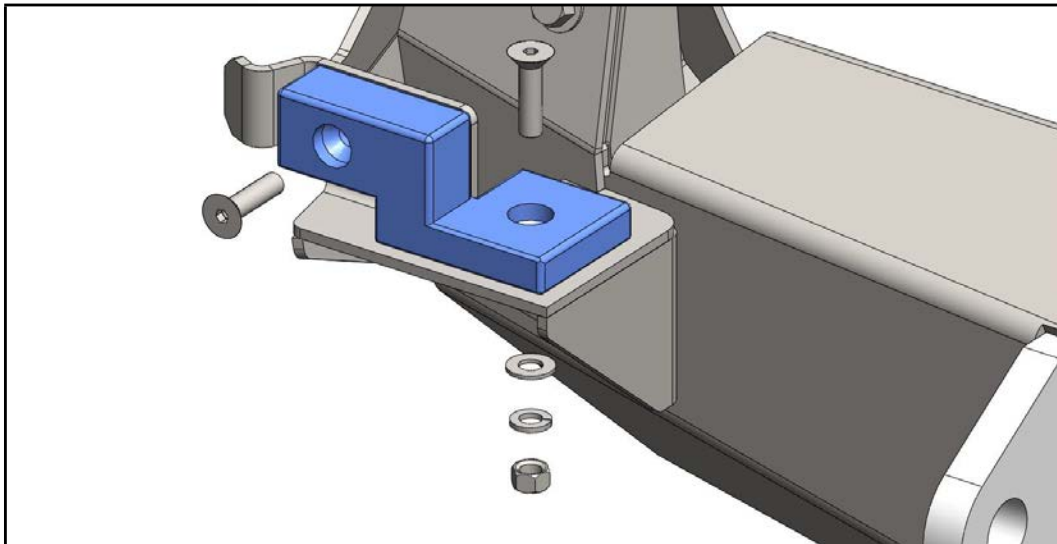
## V. Installation Instructions

**A. Mount the Latch Hook Bracket to the driver side of the bumper using five of the included 7/16" bolts and washers.**



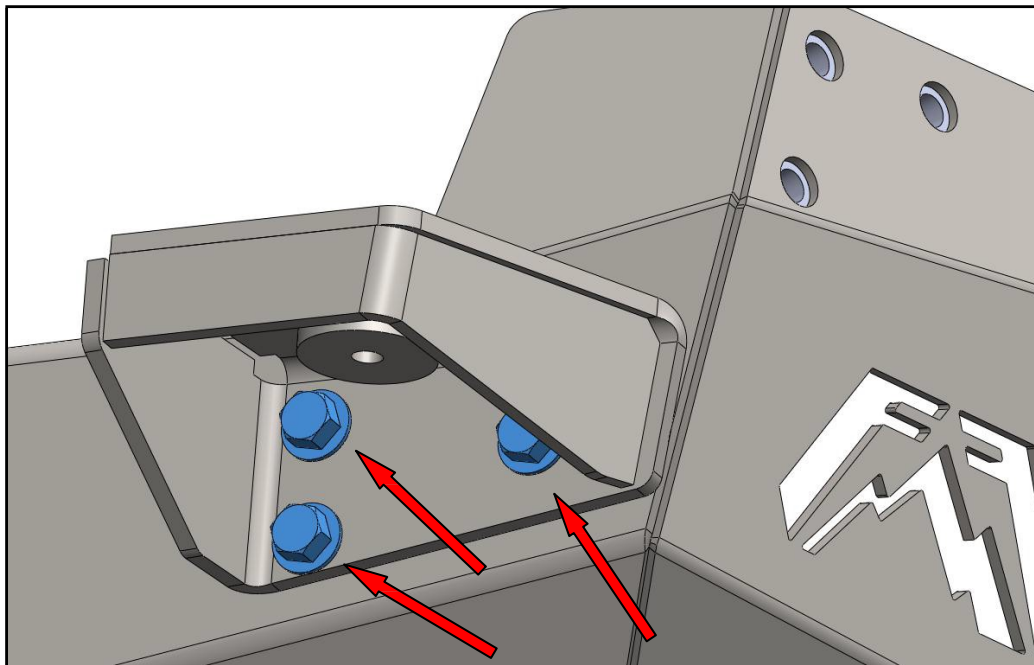
**Figure 1 – Latch Hook Bracket Installation**

**B. With Latch hook bracket installed, use two stainless steel countersunk socket head cap screws to attach the tire carrier landing pad to the latch hook bracket. Use a washer, lock washer, and nut on the back side of each bolt to secure the landing pad.**



**Figure 2 – Tire carrier landing pad installation**

**C. Mount the Lower Pivot Mount bracket to the passenger side of the bumper using three of the included 7/16” bolts and washers.**



**Figure 3 – Lower Pivot Mount bracket installation**



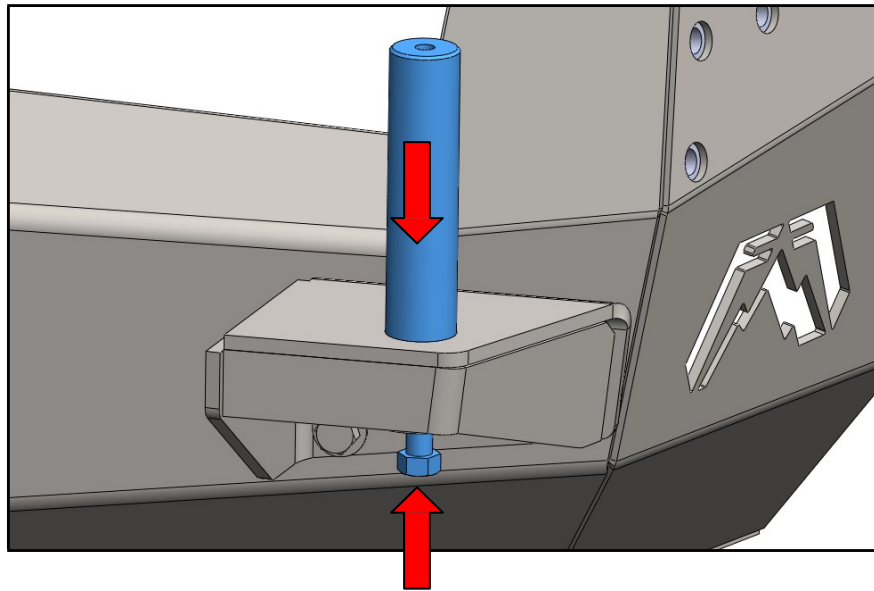
## Installation Instructions

### Tire Carrier

Product Number: Y1351T/Y1451T

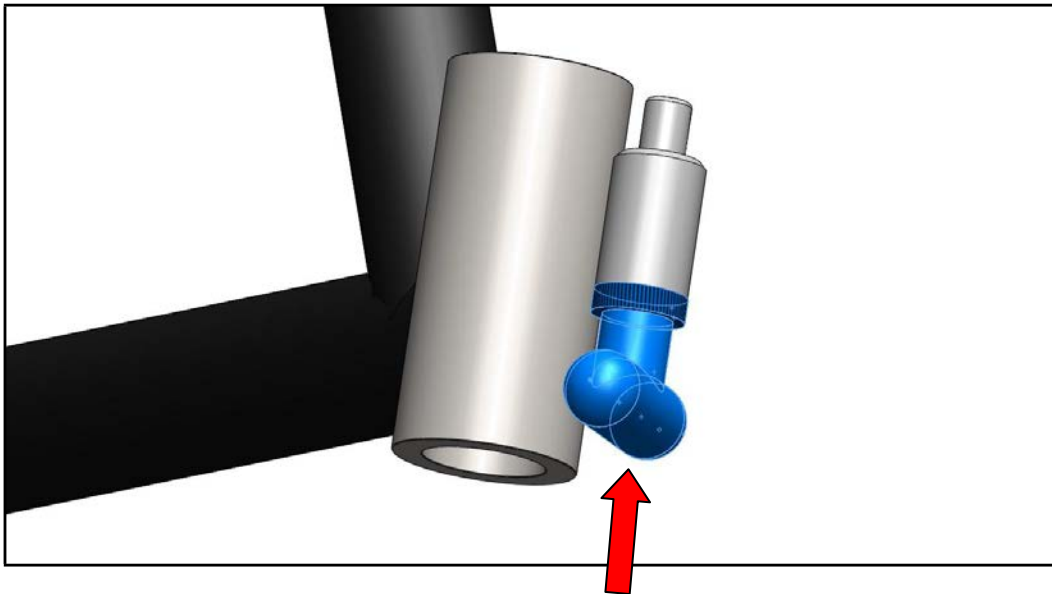
Application: '05-Current Toyota Tacoma

**D. Insert the Tire Carrier Pivot Shaft into the cup in the lower pivot mount bracket. Thread one of the included 3/8"-24 bolts in from the bottom and tighten.**



**Figure 4 – Pivot Shaft Installation**

**E. Install the black plastic T-Handle plunger into the Barrel Housing welded to the Tire Carrier Pivot Housing.**



**Figure 5 – T-Handle plunger installation**

Y1351T-Rev.B





## Installation Instructions

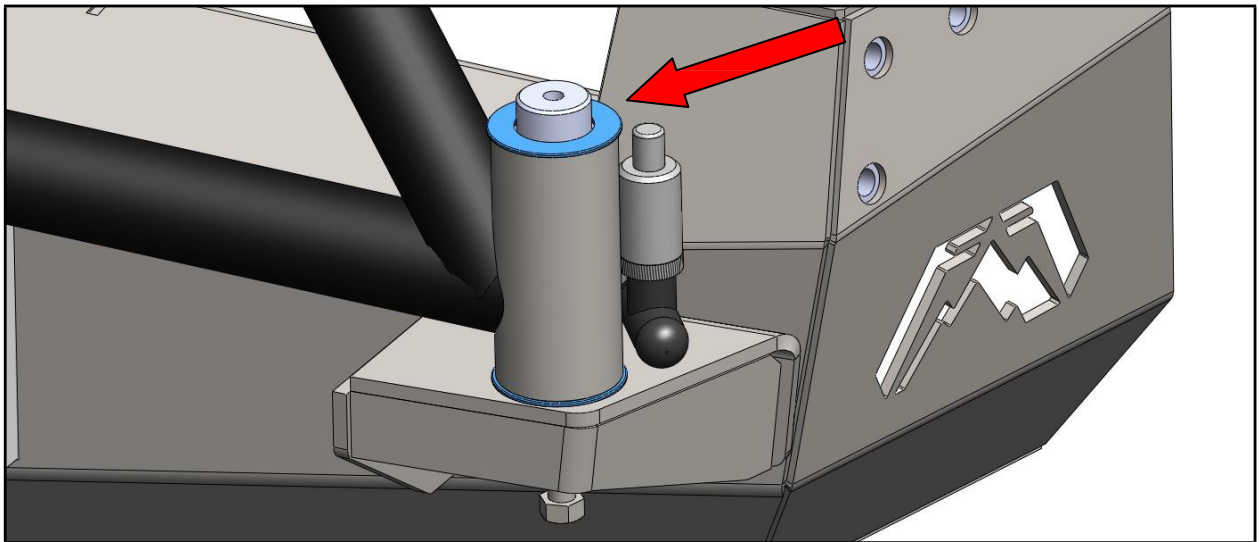
### Tire Carrier

Product Number: Y1351T/Y1451T

Application: '05-Current Toyota Tacoma

***F. Apply a thin coat of white lithium grease to the perforated side of the included flat thrust washers and the inside of the bearings that are installed from Fab Fours into the Pivot Housing. A coat thick enough to fill the holes will suffice. Please contact Fab Fours immediately if the cylindrical bearings are not installed in the tire carrier pivot housing.***

***G. Install one of the thrust washers onto the shaft with the greased perforated side facing down onto the lower pivot mount bracket's top face. Then slide the tire carrier assembly gently onto the shaft being careful not to damage the bearings greased in the previous step. Then place the remaining thrust washer on the top of the pivot housing with the greased perforated side facing up.***



***Figure 6 – Thrust washer installation***



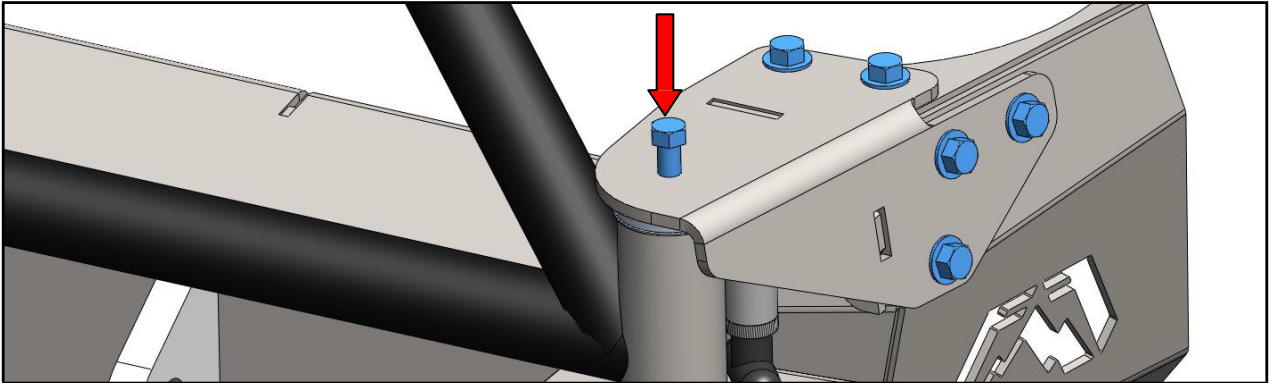
## Installation Instructions

### Tire Carrier

Product Number: Y1351T/Y1451T

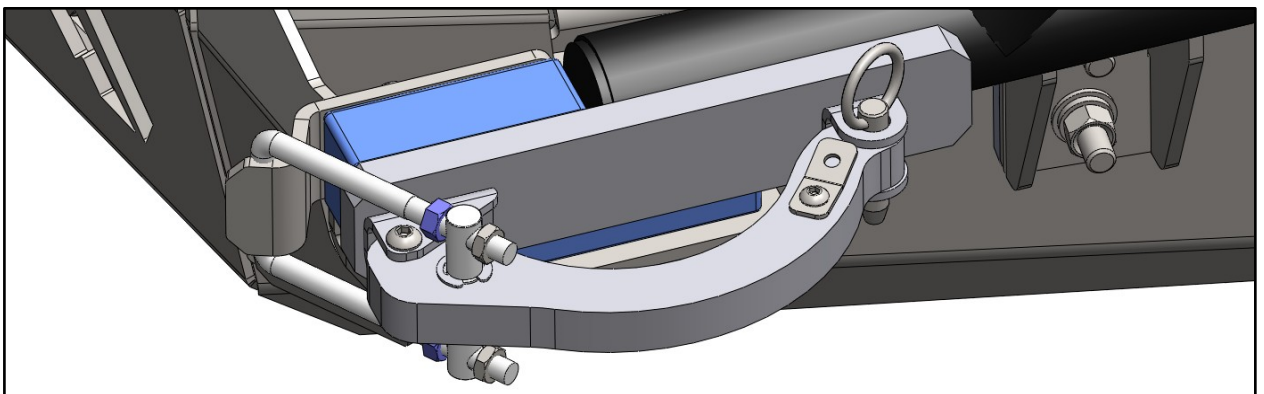
Application: '05-Current Toyota Tacoma

**H. Install the upper pivot mount bracket onto the bumper using five of the provided 7/16" bolts and washers, and the remaining 3/8"-24 bolt in the top of the pivot shaft.**



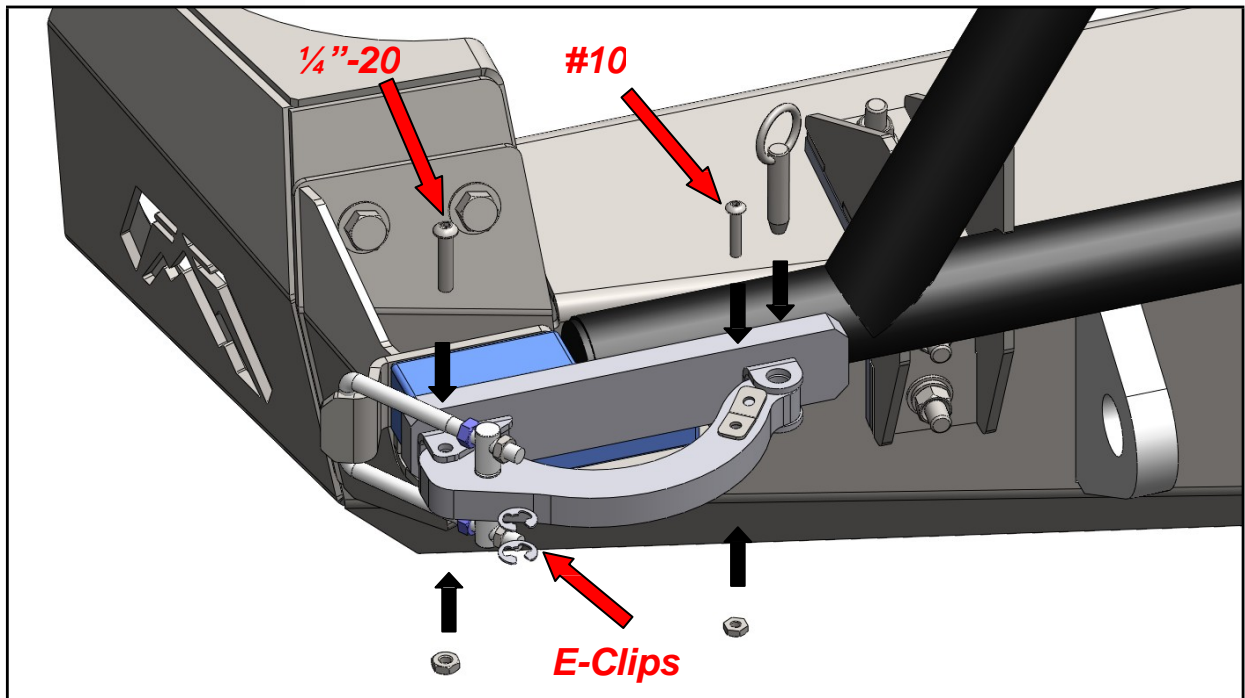
**Figure 7 – Upper pivot mount bracket installation**

**I. Using the supplied hardware, attach the Latch Hook and Lanyard tab to the Latch Handle. Make sure the opposite end of the Lanyard is through the retaining pin (not shown). The latch hook uses the 1/4"-20 screw and Nylok nut to attach to the tire carrier, and the lanyard tab uses the #10 screw and Nylok nut to fasten to the latch handle.**



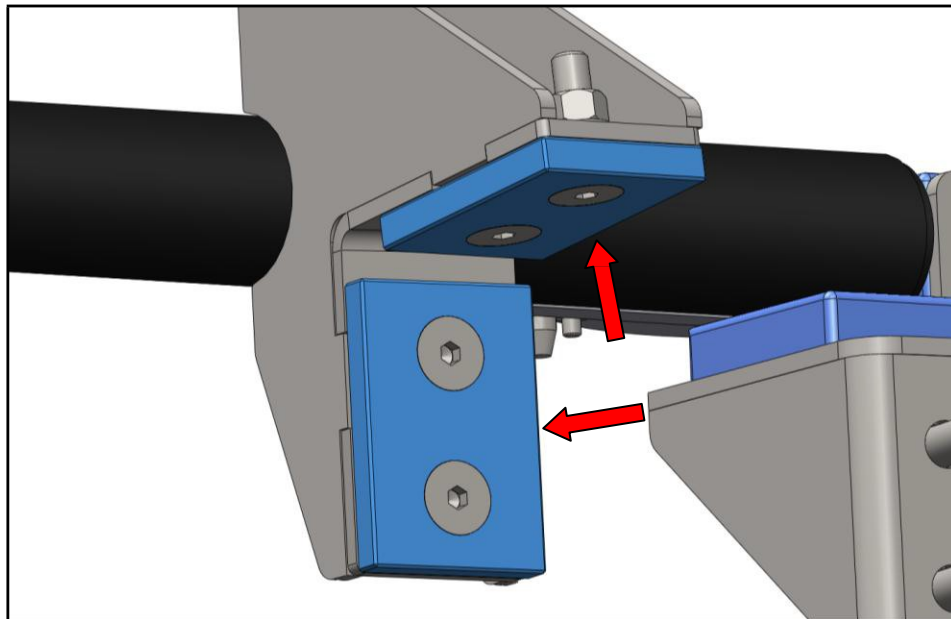
**Figure 8 – Latch Hook installation**

Y1351T-Rev.B



**Figure 9 – Latch Hook Installation**

**J. Install the two stop pads on the tire carrier bracket using the four included, stainless steel countersunk socket head cap screws, 3/8" washers, lock washers, and hex nuts.**



**Figure 10 – Tire carrier stop pad installation**



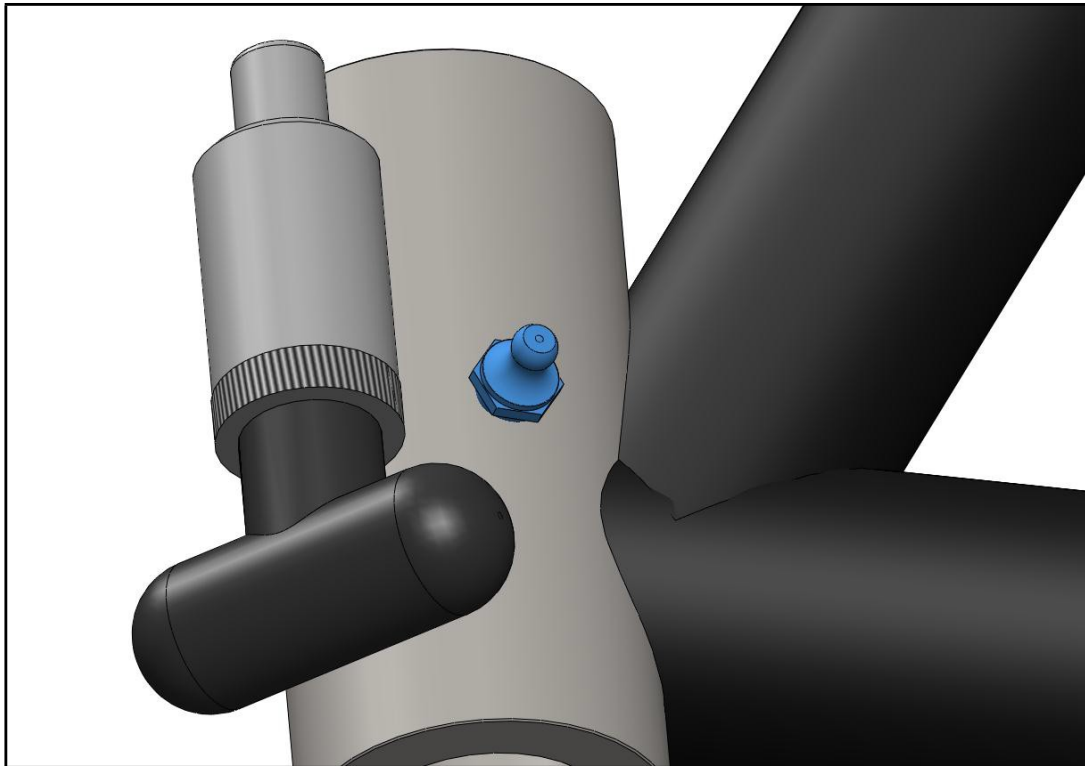
## Installation Instructions

### Tire Carrier

Product Number: Y1351T/Y1451T

Application: '05-Current Toyota Tacoma

***K. Insert the supplied grease fitting into the back side of the tire carrier pivot housing as shown.***



***Figure 11 – Installation of grease fitting into pivot housing***



## Installation Instructions

### Tire Carrier

Product Number: Y1351T/Y1451T

Application: '05-Current Toyota Tacoma

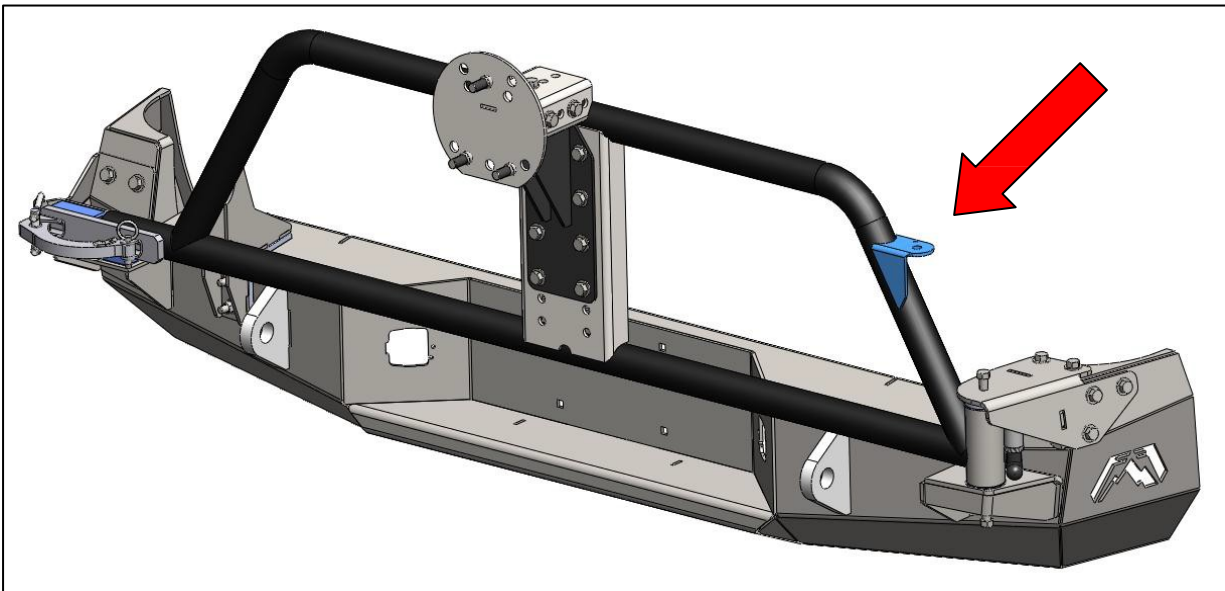
**L. Use the supplied 7/16"-14 x1.25" long bolts, washers (each side), lock washers, and nuts to secure the tire carrier horizontal mount to the tire carrier with 4 bolts passing through each side and the nuts located on the inside of the channel of the tire carrier.**

**M. Install one 7/16-14x1" long bolt, 2 washers, lock washer, and nut through the hole passing through the top section of both locating the nut again on the inside of the channel.**

**N. Retighten all bolts in the assembly!**

**O. With the tire carrier latched shut, place the spare tire onto the tire carrier and use M12x 1.5 lug nuts to secure it to the OEM specifications in your owner's manual.**

**P. If you own or plan to purchase a CB Radio, your Fab Fours Tire Carrier comes standard with a CB Antenna mount shown below.**



**Figure 15 – CB Radio antenna mount**

Y1351T-Rev.B





## Installation Instructions

### Tire Carrier

Product Number: Y1351T/Y1451T

Application: '05-Current Toyota Tacoma

## VI. Tire Carrier Operation

**A. To open the latch mechanism, remove spring lock pin, firmly grasp handle, and rotate as shown below to release compression on the latch bumper. ALWAYS USE THE SPRING PIN WHEN LATCH IS IN THE CLOSED POSITION!**



**B. Your tire carrier is equipped with a retaining pin that will hold your tire carrier open when getting items in and out of the back of the vehicle. It, however, is not to be used as a catch for swinging the tire carrier opened un-controlled for it to engage. Any un-controlled opening could result in damage to the tire carrier itself, the bumper, and possibly the vehicle it is installed on. PLEASE USE CAUTION WHEN OPENING!**

Y1351T-Rev.B



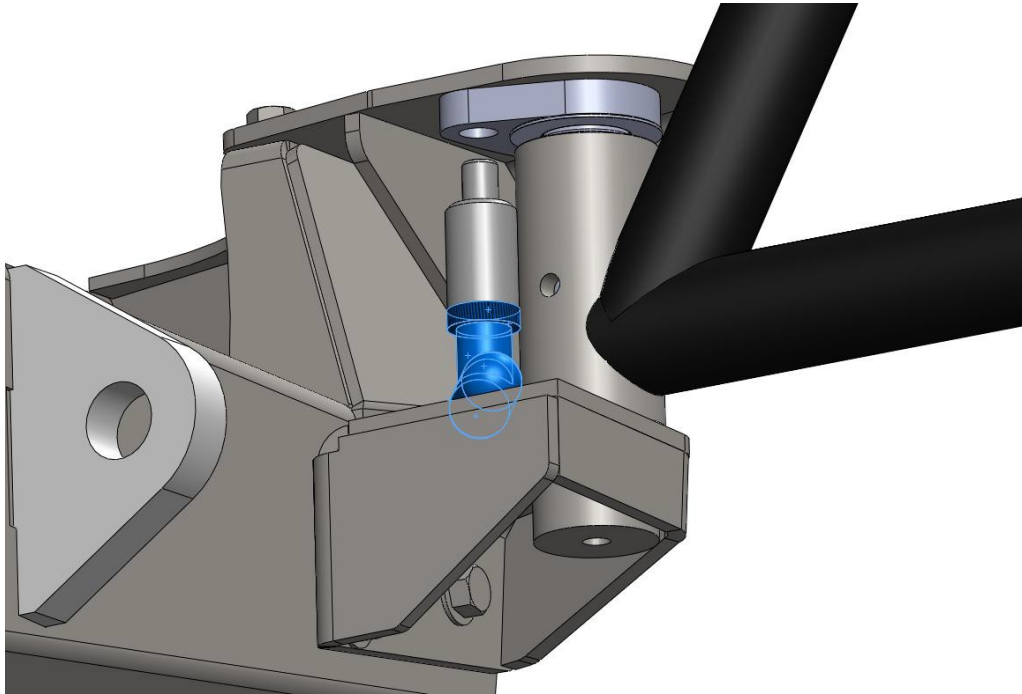
## Installation Instructions

### Tire Carrier

Product Number: Y1351T/Y1451T

Application: '05-Current Toyota Tacoma

***C. Once Tire Carrier is opened and the retaining pin pops into place, you must pull the T-Handle (Highlighted Below) downward while pulling the Tire Carrier closed.***



***Figure 16 – Retaining pin operation***



## Installation Instructions

### Tire Carrier

Product Number: Y1351T/Y1451T

Application: '05-Current Toyota Tacoma

## VII. Maintenance/Care

- Periodically check and tighten all fasteners
- Stripped, fractured, or bent bolts or nuts need to be replaced
- Periodically grease the tire carrier pivot
- Periodically check the tension of the latch hook

Y1351T-Rev.B